



Awning system

markilux syncra fix / syncra flex

The ideal awning frame system with or without fixture.
Stylish sun and wet weather protection for large areas.

01
02
03
04
05
06
07
08
09
10
11
12
13

Product Characteristics

markilux syncra fix folding-arm awnings

Wind resistance class 2
Beaufort 5 → 7.5–10.4 m/s → 28–37 km/h → 17–23 mph



1 symmetrical footplate, without (standard) or with aluminium cover ¹⁾



2 manufacture with square or round posts



3 continuous bracket fixture slots with plastic fillet ¹⁾



3 cabling is run through maintenance ducts



4 combination example with the markilux 5010, round post



3 cross-beam with wall fixture on one side



1) Optional accessories

Product Characteristics

markilux syncra flex folding-arm awnings

Wind resistance class 2
Beaufort 5 → 7.5–10.4 m/s → 28–37 km/h → 17–23 mph

- 01
- 02
- 03
- 04
- 05
- 06**
- 07
- 08
- 09
- 10
- 11
- 12
- 13



1 stabilisation box open to the top



1 stabilisation box with with wooden cover in WPC graphite-grey ¹⁾



1 stabilisation box with aluminium cover ¹⁾



1 manufacture with square or round posts



1 cabling is run through maintenance ducts



1 continuous bracket fixture slots with plastic fillet ¹⁾



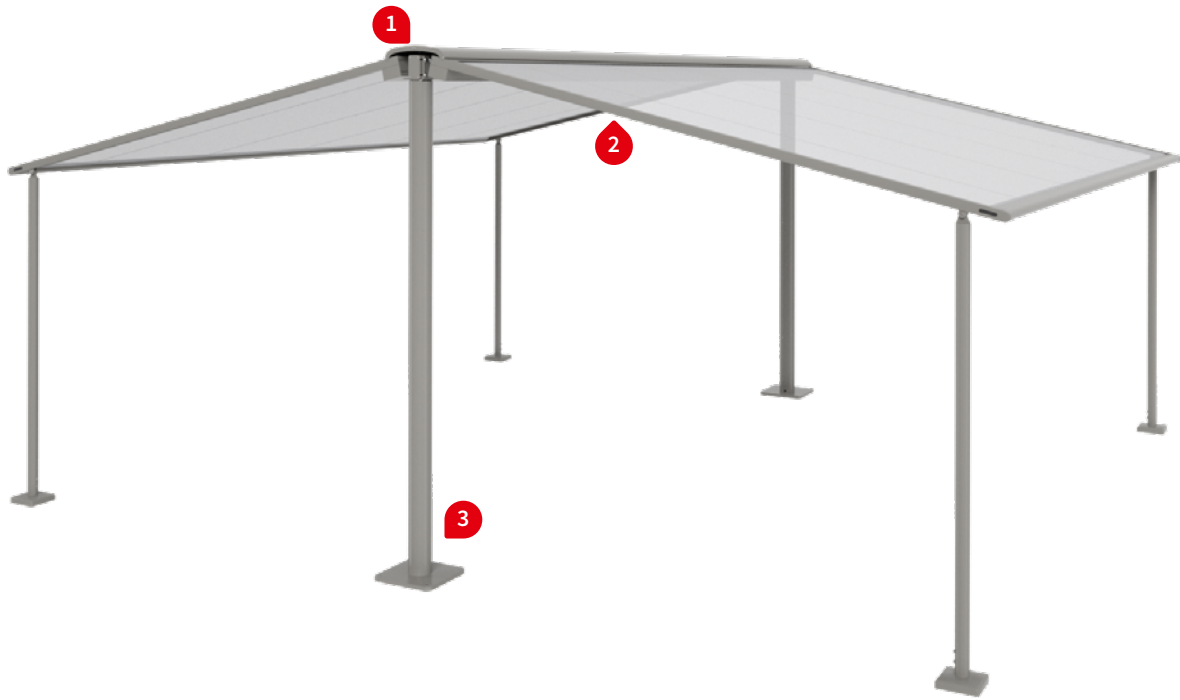
1) Optional accessories

Product Characteristics

markilux syncra fix pergola classic / cubic / compact

Wind resistance class 3
Beaufort 6 → 38–48 km/h → 10.5–13.4 m/s → 24–30 mph

01
02
03
04
05
06
07
08
09
10
11
12
13



1 syncra fix, round post, markilux pergola



1 syncra fix, round post, markilux pergola compact



1 cabling is run through maintenance ducts



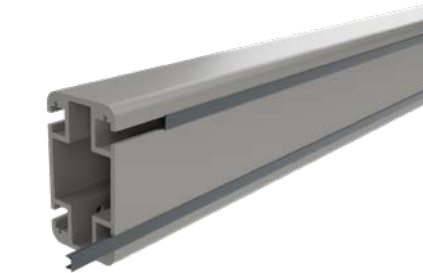
3 symmetrical footplate, without (standard) or with aluminium cover ¹⁾



3 manufacture with square or round posts



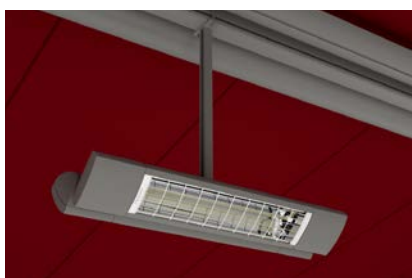
1 continuous bracket fixture slots with plastic fillet ¹⁾



● combination option with markilux 776 with panoramic window ¹⁾



2 heater with bracket for cross-beam ¹⁾



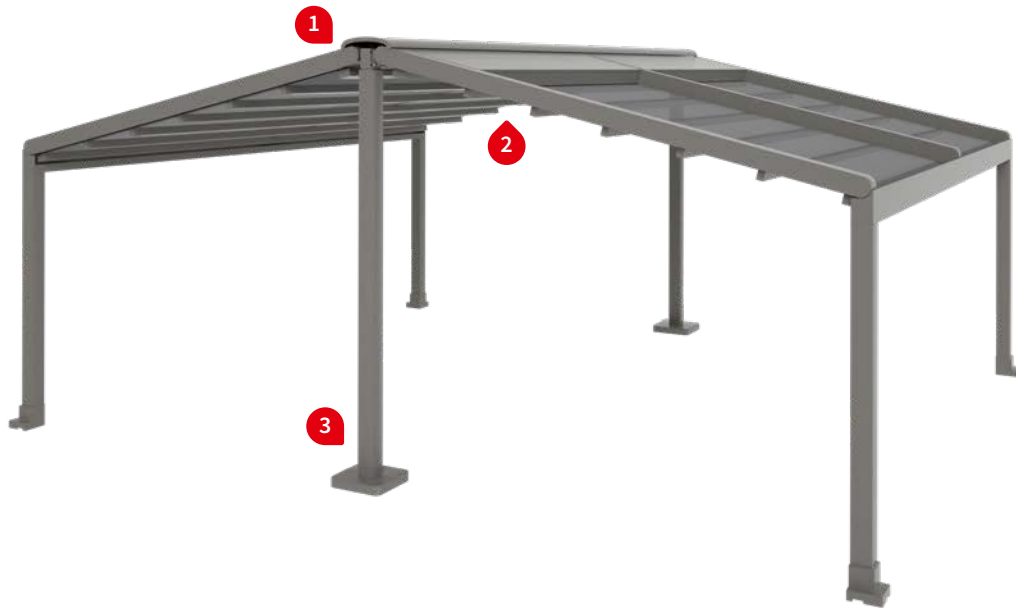
1) Optional accessories

Product Characteristics

markilux syncra fix pergola stretch

Wind resistance class 3
Beaufort 6 → 38–48 km/h → 10.5–13.4 m/s → 24–30 mph

01
02
03
04
05
06
07
08
09
10
11
12
13



1 syncra fix, square post, markilux pergola stretch



1 manufacture with square or round posts



3 symmetrical footplate, without (standard) or with aluminium cover ¹⁾



1 cabling is run through maintenance ducts



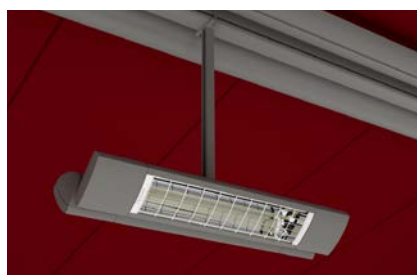
1 continuous bracket fixture slots with plastic fillet ¹⁾



2 Multi-field system, connection point with rubber seal



2 heater with bracket for cross-beam ¹⁾



1) Optional accessories

01 Product Characteristics

Description

- free-standing aluminium frame system, the syncra fix can be easily installed on concrete foundations and the syncra flex which has transportable weighted ballast boxes, for the installation of markilux folding-arm awnings or the markilux pergola classic / cubic / compact or stretch on both sides (the markilux pergola stretch is only available with the markilux syncra fix)

04 Special features

- solar and wet weather protection for open spaces
- the perfect solution especially for commercial, monument protection, hotel and gastronomy requirements
- a post-free area under the awning
- awnings can be operated independently of one another
- posts either round or square, markilux syncra fix for simple installation on concrete foundations or markilux syncra flex with ballast boxes for installation in any location without a foundation
- posts with integrated cable ducts and maintenance cover
- system including top cover profile
- powder coating in seven markilux standard frame colours or in a non-standard colour
- the dimensions, accessory options and colours of the folding-arm awning models or markilux pergola classic / cubic / compact or stretch that can be combined with it can be found in their sales manual documentation.

Dimensions

- maximum field width 700 cm for folding-arm awnings and the pergola stretch, 600 cm for the pergola classic and cubic and 450 cm for the pergola compact
- standard post height 320 cm (maximum height); syncra with pergola classic, cubic or compact maximum 450 cm (on request)
- posts available in intermediate heights (cannot be shortened on site)
- coupled system up to a maximum of 3 fields wide in the case of the syncra fix

Awning profiles

- extruded aluminium, in façade quality, powder coated
- support posts round Ø 140 mm or square 125 × 125 mm
- markilux syncra flex: ballast boxes made of sheet aluminium length 2000 × height 450 × width 500 mm (must be filled with at least 625 kg of ballast per stabilisation box)
- markilux syncra fix: post base plate square 400 × 400 mm, galvanised steel
- rectangular cross-beam, height 140 mm × width 80 mm

Optional accessories

- markilux heater(s) and / or LED spotline(s)
- attractively shaped covers for the post base plates of the syncra fix, die-cast aluminum, powder coated
- top covers for the ballast boxes made of sheet aluminium, powder coated or in wood look (in WPC, graphite-grey, highly colour fast)
- wide range of brackets for the installation of folding-arm and pergola awnings as well as heating and lighting accessories
- markilux syncra fix: adapter set available to enable fixture to Krinner screw-in foundations
- cover profile (colour traffic white RAL 9016 or anthracite grey similar to RAL 7016) for the bracket slots in the cross-beam

markilux planning service

- in the case of larger construction projects, markilux can offer comprehensive planning support on request. Based on dimension data and photographs of the area to be designed, the following services can be carried out on request:
 - photorealistic representation of the shading system in colour, optionally also as 3D visualisation / Proposals for special solutions / Technical drawing elaboration of solution proposals - can also be used for building permits / Additional consultation services until final order placement
 - a realistic photographic impression and a detailed detailed technical presentation increase the quality of on-site consultation and the chances of success!

Planning permission

- **N.B!** Depending on the region, shading systems may be subject to planning permission regulations!

Frame colours markilux syncra folding-arm awnings

markilux frame colours without surcharge

traffic white, RAL 9016



metallic aluminium, RAL 9006



grey brown, similar to RAL 8019



off-white textured finish, 5233 ¹⁾



stone grey metallic, 5215 ¹⁾



anthracite metallic, 5204 ¹⁾



havana brown textured finish, 5229 ¹⁾



Frame colours markilux syncra with markilux pergola classic / cubic / compact / stretch

markilux frame colours without surcharge

traffic white, RAL 9016



metallic aluminium, RAL 9006



grey brown, similar to RAL 8019



off-white textured finish, 5233 ¹⁾



stone grey metallic, 5215 ¹⁾



anthracite metallic, 5204 ¹⁾



havana brown textured finish, 5229 ¹⁾



Non-standard powder-coated finish

Bespoke frame colours incur a surcharge – matt, metallic, finely textured and pearl finishes as well as other colour ranges (DB, Tiger etc.) on request. All frame colours are available at a surcharge with enhanced corrosion protection.

Colours may differ slightly from those depicted in both hue and finish.

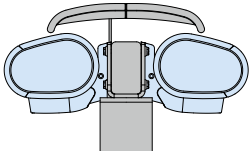
1) textured finish

01
02
03
04
05
06
07
08
09
10
11
12
13

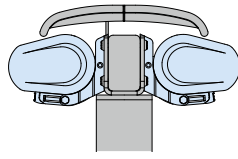
01 **Overview of the awning combinations available**

02 markilux syncra with folding-arm awnings

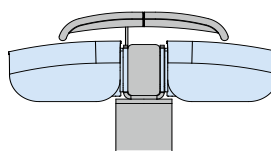
03 markilux 6000



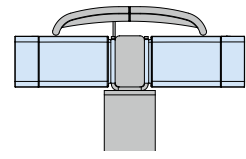
04 markilux 5010



05 markilux MX-2

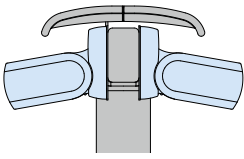


06 markilux 970

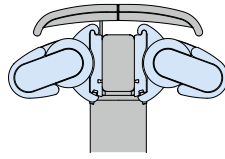


06

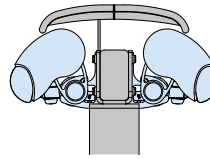
07 markilux MX-3



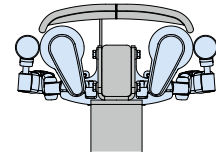
08 markilux 990



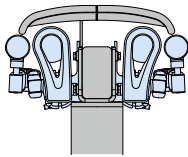
09 markilux 1600 / 1600 stretch



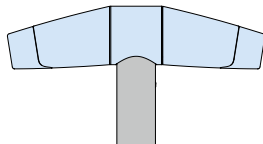
10 markilux 1710 / 1710 stretch



11 markilux 1300

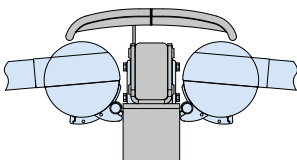


12 markilux MX-1 compact

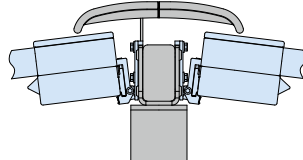


markilux syncra with markilux pergola classic / cubic / compact / stretch

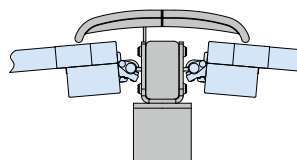
markilux pergola classic



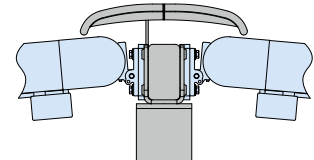
markilux pergola cubic



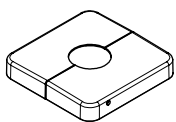
markilux pergola compact



markilux pergola stretch

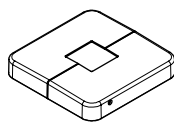


Optional accessories



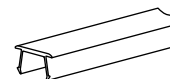
footplate cover, round post (optional)

72263.



footplate cover, square post (optional)

72261.



fillet for the slots in the cross-beam (optional)

77768.

Concrete foundations

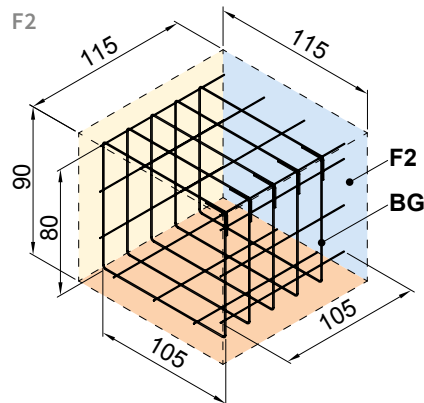
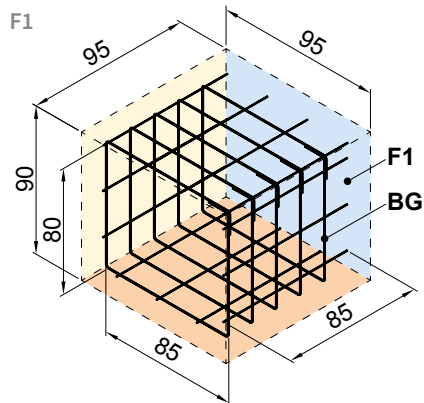
To be supplied on site:

Concrete foundations in compressive strength C25/30 (previously B25) with reinforcing mesh cage made of 188 pcs steel rebar Ø 6 mm.

markilux syncra fix

Attachment to concrete foundations F1 and F2

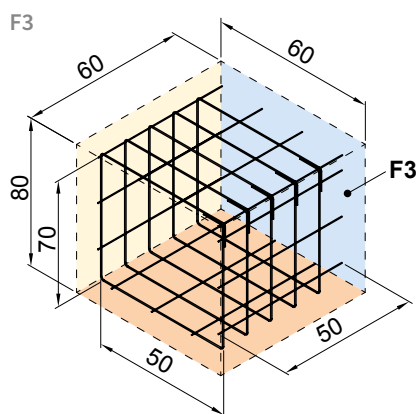
with Fischer anchor bolts FAZ II 16/50 made of A4 stainless steel with washer in accordance with DIN 9021 (or equivalent).



Post of markilux pergola classic / cubic / compact / stretch

Attachment to concrete foundations F3

with Fischer anchor bolts FAZ 10/30 made of A4 stainless steel with washer in accordance with DIN 9021 (or equivalent).



Overview of the stabilisation box options

markilux syncra flex

On site, every stabilisation box must be filled with at least 625 kg of ballast.

box open (standard)



with wooden cover (optional), in WPC graphite-grey



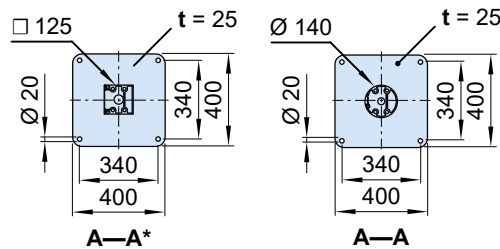
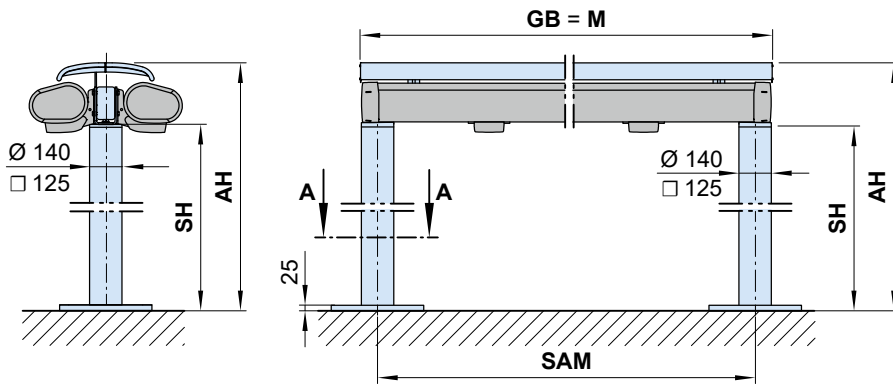
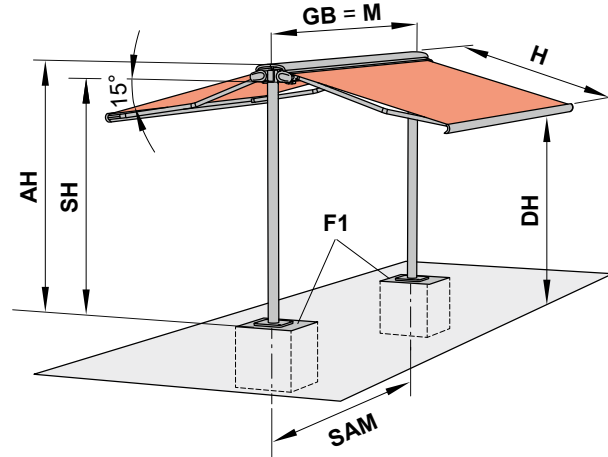
with aluminium cover (optional)



dimensions in cm

01 **Overview of dimensions**

02 markilux syncra fix folding-arm awning, 1 Feld



	AH	SAM	SAM *	DH				
markilux 6000	3400	M - 140	M - 125	2700	2570	2440	2310	2190
markilux 5010	3420			2710	2580	2450	2320	2190
markilux 970 / MX-2	3430	M - 440	M - 425	2690	2570	2440	—	—
markilux MX-3	3390			2650	2520	2390	2260	—
markilux 990	3420			2730	2600	2470	—	—
markilux 1600 / 1600 stretch	3480	M - 140	M - 125	2710	2580	2450	2320	2190
markilux 1710 / 1710 stretch				2730	2600	2470	2340	—
markilux 1300				2730	2600	2470	2340	2210
markilux MX-1 compact	3370	M - 214	M - 211	2630	2510	2380	2250	2120
				2000	2500	3000	3500	4000
				H				

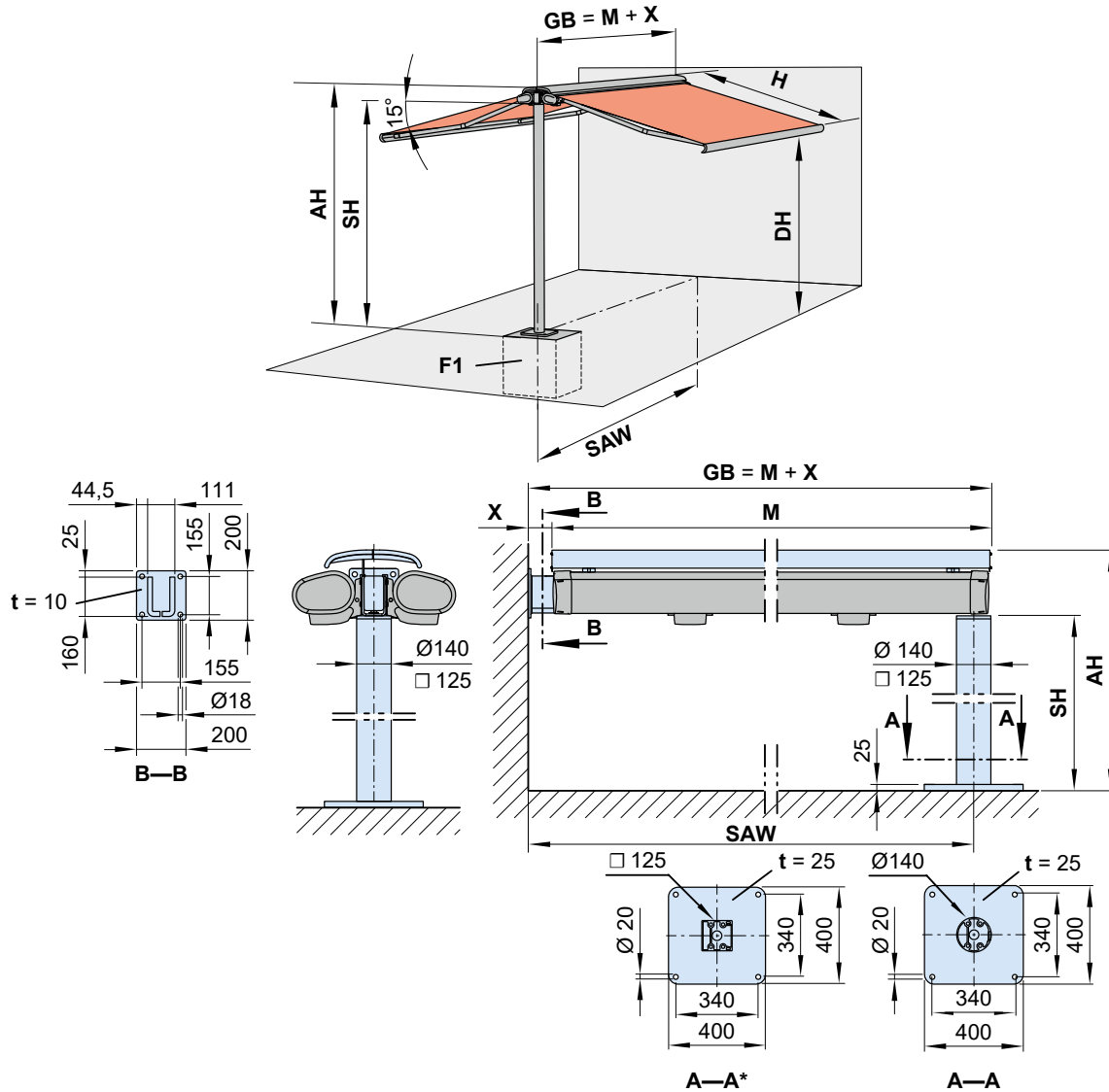
- * = dimensions for a square post
- AH** = unit height (depends on the awning model)
- DH** = headroom (depends on the awning model) dimensions rounded)
- F1** = concrete foundation. Please refer to the section "Concrete foundations"
- GB** = **order dimension** = overall width of the unit = awning width

- H** = projection (depends on the awning model)
- M** = **order dimension** = overall awning width
- SAM** = post separation, centre to centre (depends on the awning model)
- SH** = post height = 3200 mm
- t** = thickness of the base plate

dimensions in mm

Overview of dimensions

markilux syncra fix folding-arm awning, 1 field adjoining a wall



	AH	SAW	SAW *	X	DH				
markilux 6000	3400	GB - 70	GB - 62,5	80	2700	2570	2440	2310	2190
markilux 5010	3420				2710	2580	2450	2320	2190
markilux 970 / MX-2	3430	GB - 220	GB - 212,5	120	2690	2570	2440	—	—
markilux MX-3	3390			2650	2520	2390	2260	—	
markilux 990	3420			120	2730	2600	2470	—	—
markilux 1600 / 1600 stretch / 1650	3480	GB - 70	GB - 62,5	80	2710	2580	2450	2320	2190
markilux 1710 / 1710 stretch					2730	2600	2470	2340	—
markilux 1300					2730	2600	2470	2340	2210
MX-1 compact	—				2000	2500	3000	3500	4000
					H				

- * = dimensions for a square post
- AH** = unit height (depends on the awning model)
- DH** = headroom (depends on the awning model) dimensions rounded)
- F1** = concrete foundation. Please refer to the section "Concrete foundations"
- GB** = overall width of the syncra unit (depends on the awning model)

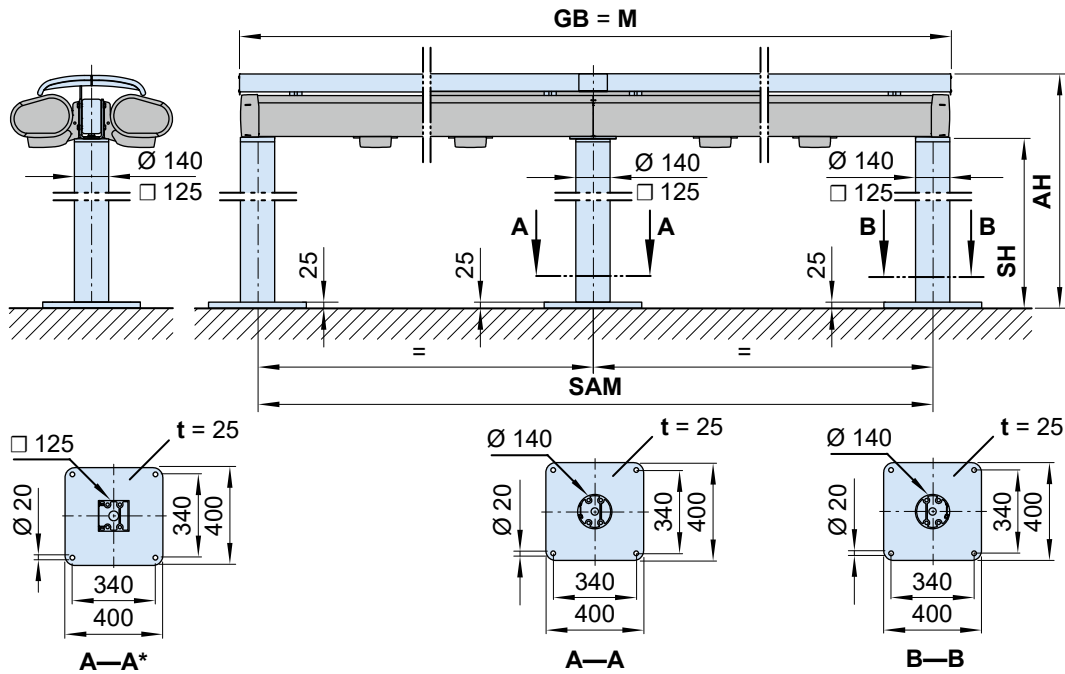
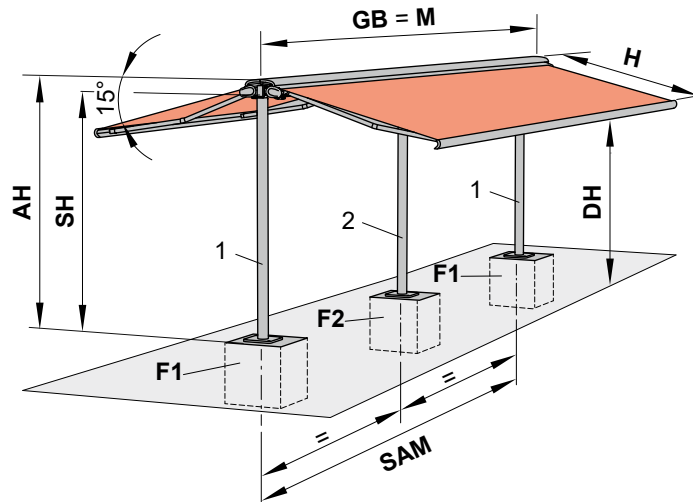
- H** = projection (depends on the awning model)
- M** = **order dimension** = overall awning width
- SAW** = distance from wall to support post centre
- SH** = post height = 3200 mm
- t** = thickness of the base plate
- X** = distance from the outermost end of the awning to the edge of the substrate (depends on the awning model)

dimensions in mm

01
02
03
04
05
06
07
08
09
10
11
12
13

Overview of dimensions

markilux syncra fix folding-arm awning, coupled unit 2 fields (max. 3 fields)



	AH	SAM	SAM*	DH				
markilux 6000	3400	M - 140	M - 125	2700	2570	2440	2310	2190
markilux 5010	3420			2710	2580	2450	2320	2190
markilux 1600	3480			2710	2580	2450	2320	2190
markilux 1710				2730	2600	2470	2340	—
markilux 1300				2730	2600	2470	2340	2210
				2000	2500	3000	3500	4000
				H				

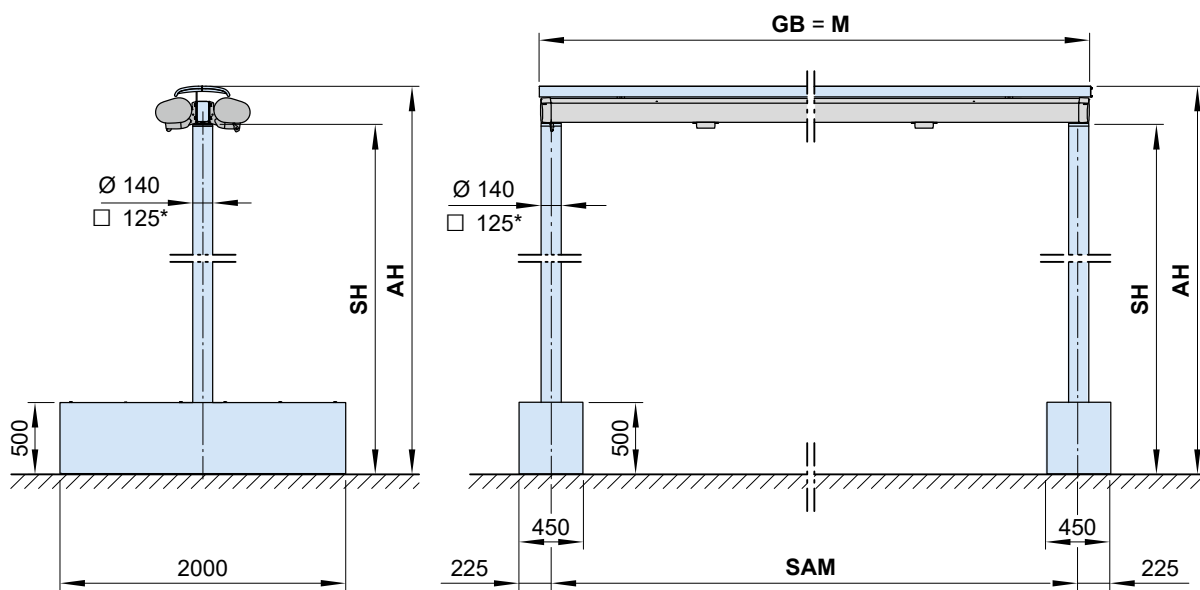
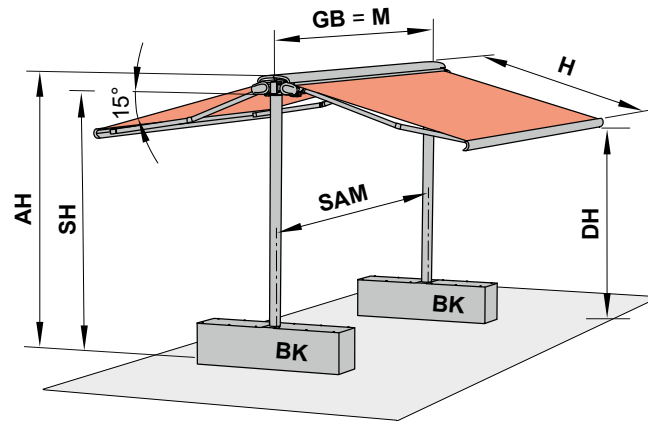
- * = dimensions for a square post
- 1 = outermost post
- 2 = central post
- AH = unit height (depends on the awning model)
- DH = headroom (depends on the awning model) dimensions rounded
- F1/F2 = concrete foundation. Please refer to the section "Concrete foundations"

- GB = **order dimension** = overall width of the unit = awning width
- H = projection (depends on the awning model)
- M = **order dimension** = overall awning width
- SAM = post separation, centre to centre (depends on the awning model)
- SH = post height = 3200 mm
- t = thickness of the base plate

dimensions in mm

Overview of dimensions

markilux syncra flex, Gelenkarmmarkisen, 1 fields



	AH	SAM	SAM *	DH				
markilux 6000	3400	M - 140	M - 125	2700	2570	2440	2310	2190
markilux 5010	3420			2710	2580	2450	2320	2190
markilux 970 / MX-2	3430	M - 440	M - 425	2690	2570	2440	—	—
markilux MX-3	3390			2650	2520	2390	2260	—
markilux 990	3420	M - 140	M - 125	2730	2600	2470	—	—
markilux 1600 / 1600 stretch				2710	2580	2450	2320	2190
markilux 1710 / 1710 stretch	3480			2730	2600	2470	2340	—
markilux 1300				2730	2600	2470	2340	2210
markilux MX-1 compact	3370	M - 214	M - 211	2630	2510	2380	2250	2120
				2000	2500	3000	3500	4000
				H				

On site, every stabilisation box must be filled with at least 625 kg of ballast.

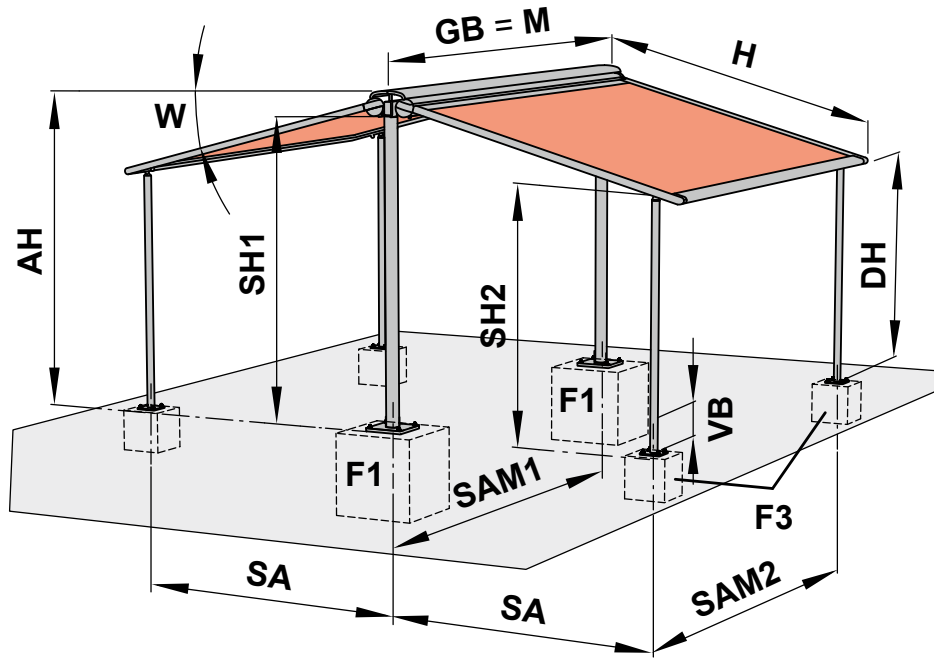
- * = dimensions for a square post
- AH** = unit height
- BK** = stabilisation box
- DH** = headroom
- GB** = overall width of the syncra unit (depends on the awning model)

- H** = projection (depends on the awning model)
- M** = **order dimension** = overall awning width
- SAM** = post separation, centre to centre (depends on the awning model)
- SH** = post height = 3200 mm

dimensions in mm

01 **Overview of dimensions**

02 markilux syncra fix pergola classic / cubic / compact, 1 field



06

07

08

09

10

11

12

13

V1 / V3 = markilux pergola classic / cubic ¹⁾

V2 = markilux pergola compact

$SA = \cos W \times (H - Y) + AX + 52,5 \text{ mm}$

$SA = \cos W \times (H - Y) + AX + 40 \text{ mm}$

$DH = SH2 - \sin W \times Y$

$DH = SH2 - \sin W \times Y$

AH	SH1	SAM1	SAM1*	SH2	SAM2	W	AX	AX ¹⁾
3470	3200	M - 140	M - 125	2500	SAM1 + 42	5°	26	51
						10°	32	56
						15°	38	61
						20°	44	66
						25°	49	70

AH	SH1	SAM1	SAM1*	SH2	SAM2	W	AX
3410	3200	M - 140	M - 125	2500	SAM1 + 84	5°	62
						10°	57
						15°	52
						20°	46
						25°	41

For dimensions, further technical details and configuration options please consult the pergola classic / cubic / compact section of the sales manual.

- * = dimensions for square posts
- AH** = unit height
- AX** = calculation value for SA
- DH** = headroom
- F1/F3** = concrete foundation. Please refer to the section "Concrete foundations"
- GB** = **order dimension** = overall width of the unit = awning width
- H** = extension
- M** = **order dimension** = overall awning width
- SA** = separation of the support posts of the markilux pergola to the support posts of the markilux syncra

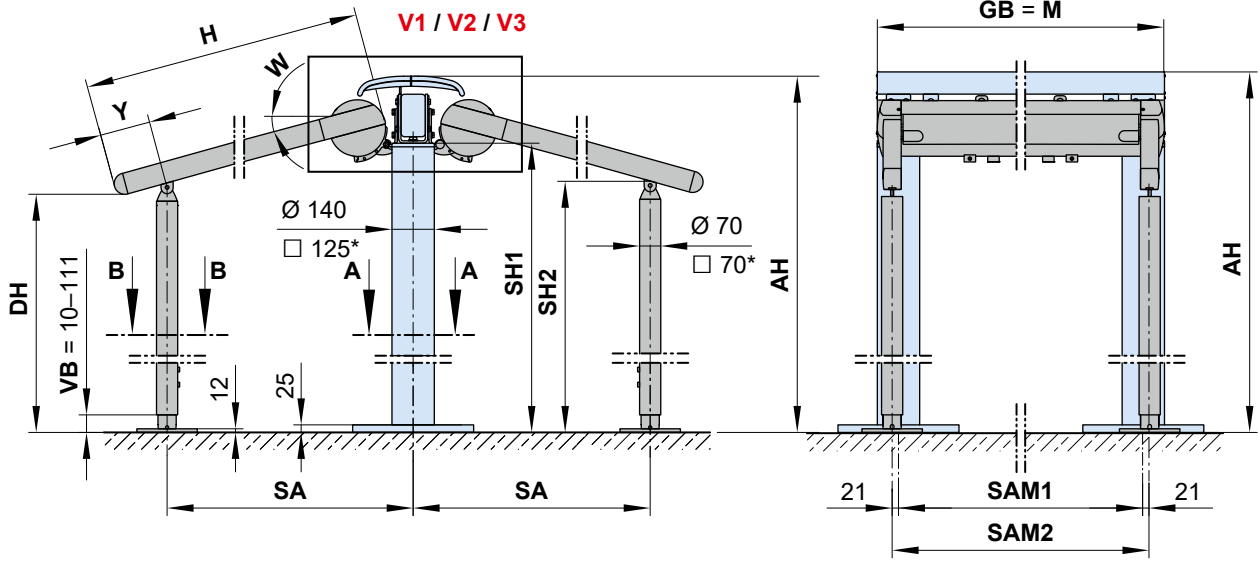
- SAM1** = post separation, centre to centre, of the markilux syncra
- SAM2** = post separation, centre to centre, of the markilux pergola
- SH1** = post height of the markilux syncra
- SH2** = post height of the markilux pergola – post height of the markilux syncra
- VB** = height adjustment min. 10 mm up to max. 110 mm
- W** = awning pitch 5°–25°, factory set at 15°
- Y** = distance front posts must be moved back min. 10 up to max. 100 cm

dimensions in mm

Overview of dimensions

markilux syncra fix pergola classic / cubic / compact, 1 field

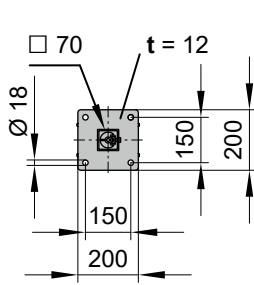
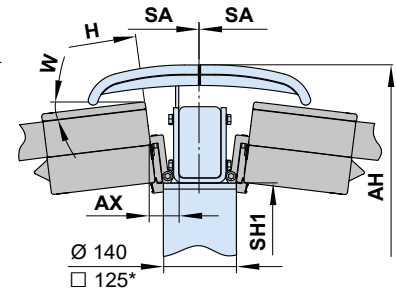
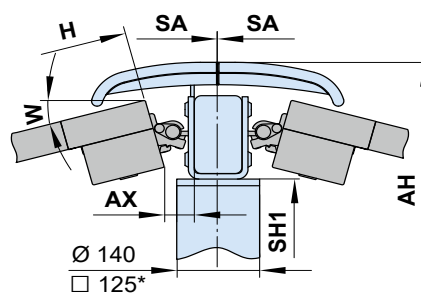
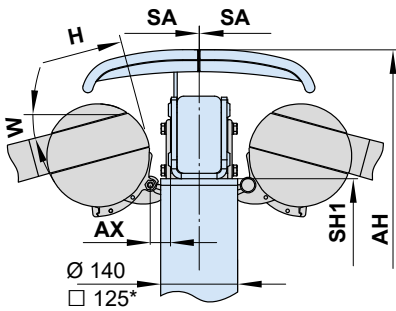
01
02
03
04
05
06
07
08
09
10
11
12
13



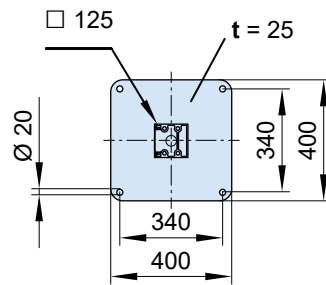
V1 = markilux pergola classic

V2 = markilux pergola compact

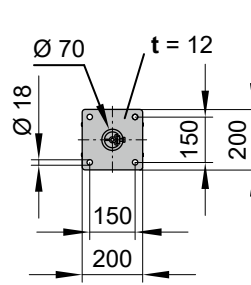
V3 = markilux pergola cubic



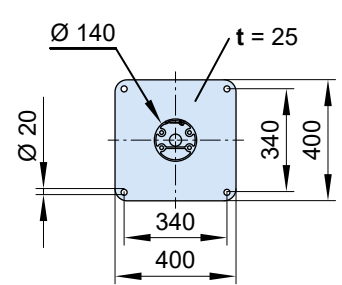
B-B*



A-A*



B-B



A-A

For dimensions, further technical details and configuration options please consult the pergola classic / cubic / compact section of the sales manual.

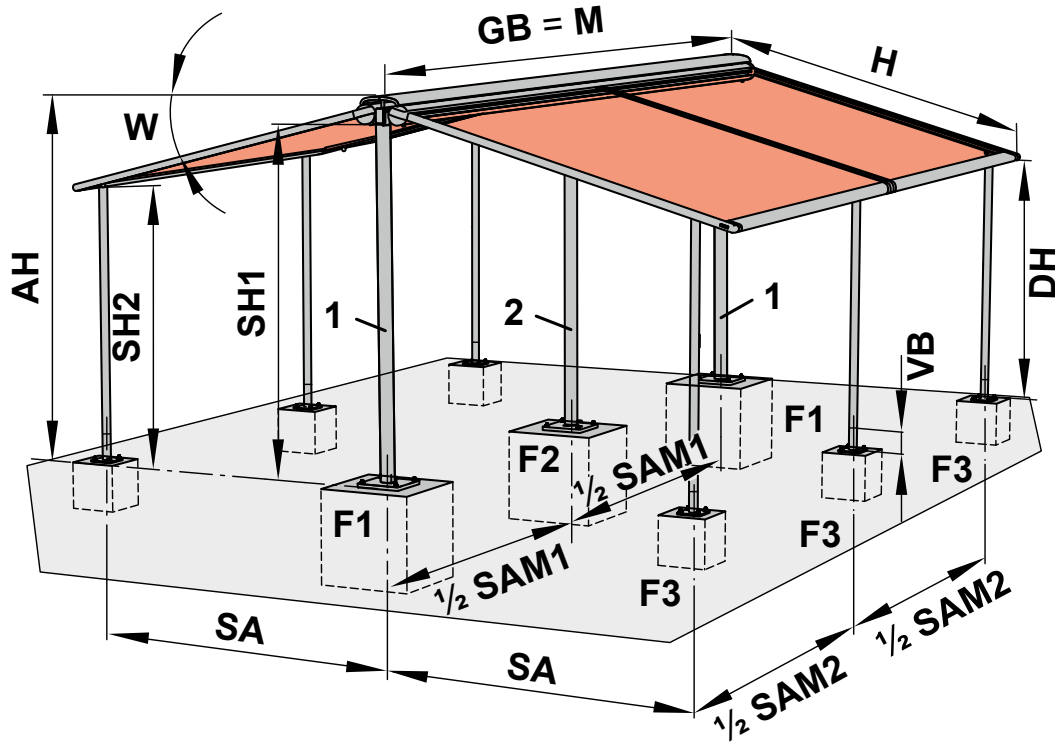
- * = dimensions for square posts
- AH = unit height
- AX = calculation value for SA
- DH = headroom
- GB = **order dimension** = overall width of the unit = awning width
- H = extension
- M = **order dimension** = overall awning width
- SA = separation of the support posts of the markilux pergola to the support posts of the markilux syncra

- SAM1 = post separation, centre to centre, of the markilux syncra
- SAM2 = post separation, centre to centre, markilux pergola, post of the markilux syncra
- SH1 = post height of the markilux syncra
- SH2 = post height of the markilux pergola – post of the markilux syncra
- t = thickness of the base plate
- VB = height adjustment min. 10 mm up to max. 110 mm
- W = awning pitch 5°–25°, factory set at 15°
- Y = distance front posts must be moved back min. 10 up to max. 100 cm

dimensions in mm

01 **Overview of dimensions**

02 markilux syncra fix pergola classic / cubic, 2 fields coupled (max. 3 fields)



06

07

08

09

10

11

12

13

V1 / V3 = markilux pergola classic / cubic ⁽¹⁾

$$SA = \cos W \times (H - Y) + AX + 52,5 \text{ mm}$$

$$DH = SH2 - \sin W \times Y$$

AH	SH1	SAM1	SAM1*	SH2	SAM2	W	AX	AX ⁽¹⁾
3470	3200	M - 140	M - 125	2500	SAM1 + 42	5°	26	51
						10°	32	56
						15°	38	61
						20°	44	66
						25°	49	70

For dimensions, further technical details and configuration options please consult the pergola classic / cubic section of the sales manual.

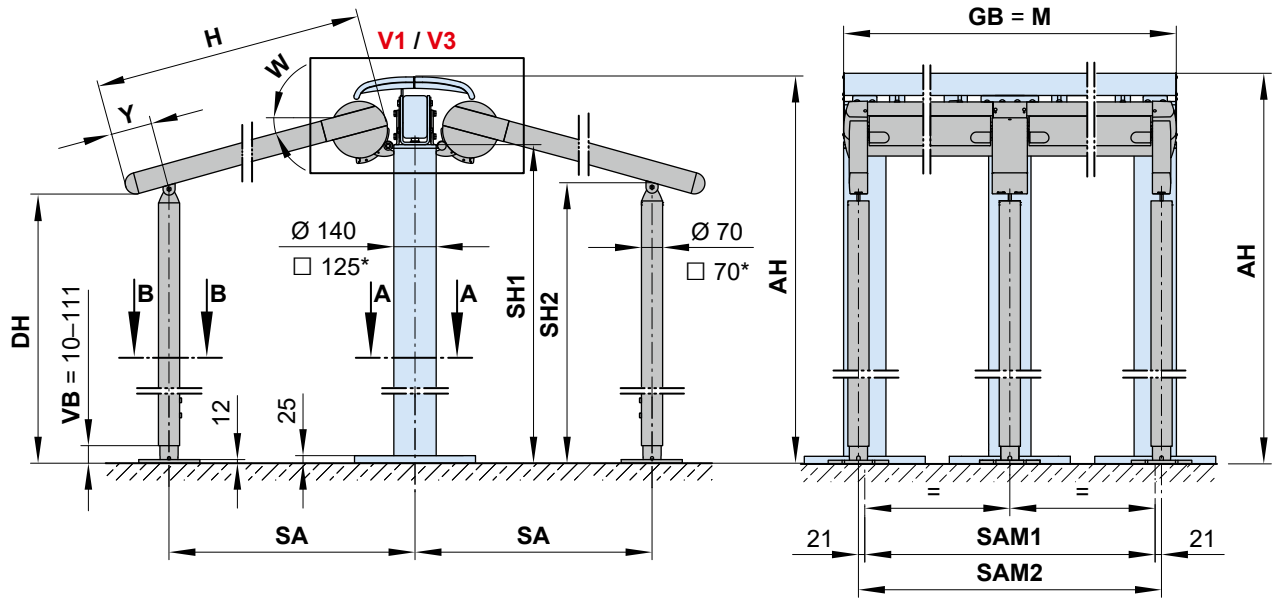
- * = dimensions for square posts
- 1 = outermost post
- 2 = central post (not required for widths up to 700 cm)
- AH = unit height
- AX = calculation value for SA
- DH = headroom
- F1/F2 = concrete foundation. Please refer to the section "Concrete foundations"
- F3 = concrete foundation
- GB = **order dimension** = overall width of the unit = awning width
- H = extension
- M = **order dimension** = overall awning width

- SA = separation of the support posts of the markilux pergola to the support posts of the markilux syncra
- SAM1 = post separation, centre to centre, of the markilux syncra
- SAM2 = post separation, centre to centre, markilux pergola
- SH1 = post height of the markilux syncra
- SH2 = post height of the markilux pergola
- VB = height adjustment min. 10 mm up to max. 110 mm
- W = awning pitch 5°-25°, factory set at 15°
- Y = distance front posts must be moved back min. 10 up to max. 100 cm

dimensions in mm

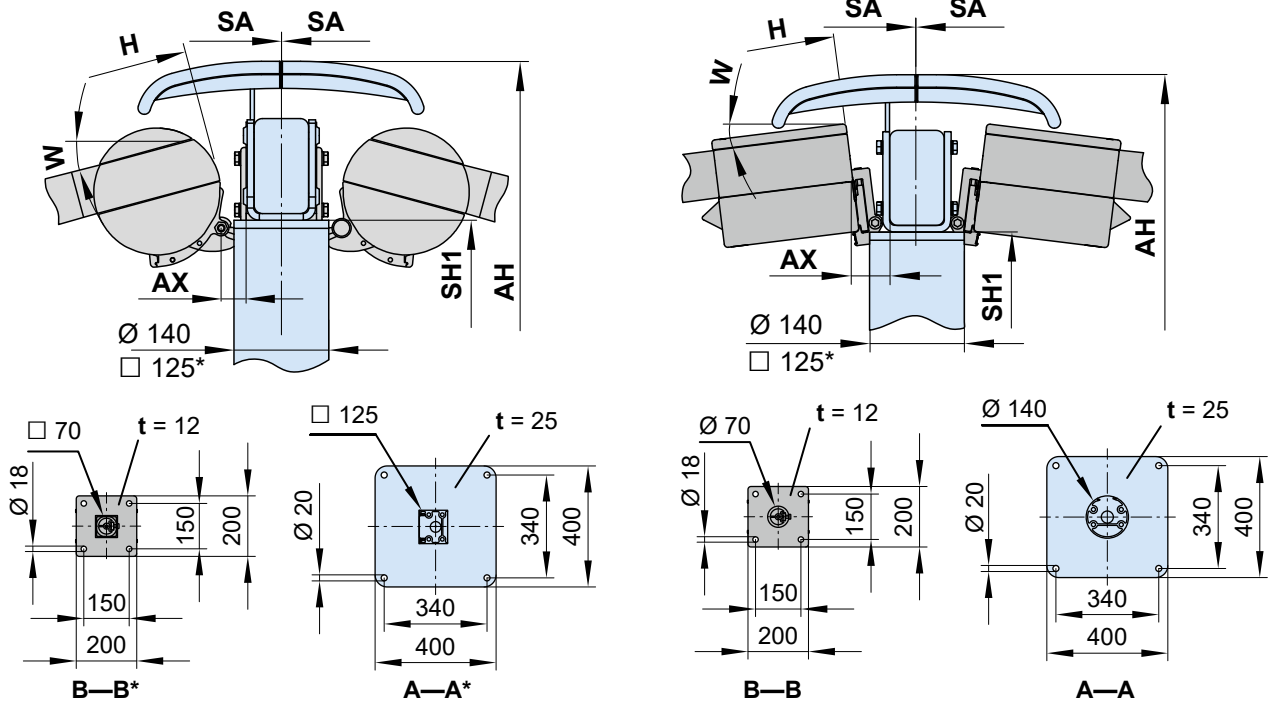
Overview of dimensions

markilux syncra fix pergola classic / cubic, 2 fields coupled (max. 3 fields)



V1 = markilux pergola classic

V3 = markilux pergola cubic



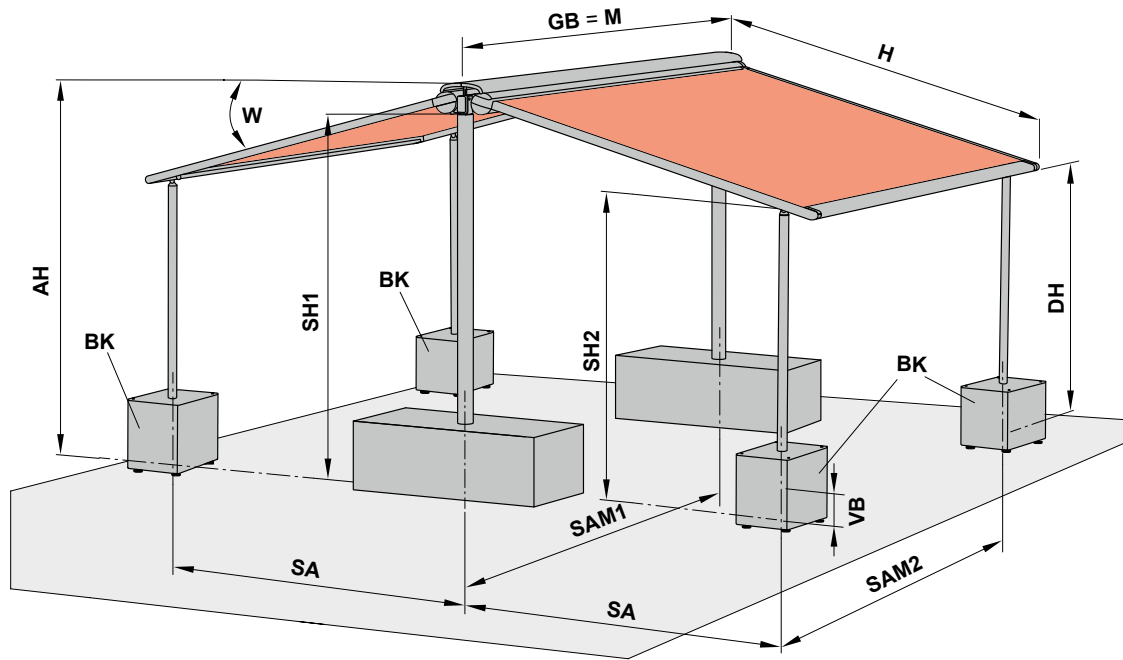
For dimensions, further technical details and configuration options please consult the pergola classic / cubic section of the sales manual.

- * = dimensions for square posts
- AH = unit height
- AX = calculation value for SA
- DH = headroom
- GB = **order dimension** = overall width of the unit = awning width
- H = extension
- M = **order dimension** = overall awning width
- SA = separation of the support posts of the markilux pergola to the support posts of the markilux syncra
- SAM1 = post separation, centre to centre, of the markilux syncra
- SAM2 = post separation, centre to centre, markilux pergola
- SH1 = post height of the markilux syncra
- SH2 = post height of the markilux pergola
- t = thickness of the base plate
- VB = height adjustment min. 10 mm up to max. 110 mm
- W = awning pitch 5°–25°, factory set at 15°
- Y = distance front posts must be moved back min. 10 up to max. 100 cm

dimensions in mm

Overview of dimensions

markilux syncra flex pergola classic / cubic / compact, 1 field



To be supplied on site:

625 kg of ballast to fill each stabilisation box (markilux syncra)

150 kg of ballast to fill each stabilisation box (markilux pergola classic / cubic / compact)

V1 / V3 = markilux pergola classic / cubic ⁽¹⁾

V2 = markilux pergola compact

$SA = \cos W \times (H - Y) + AX + 52,5 \text{ mm}$

$SA = \cos W \times (H - Y) + AX + 40 \text{ mm}$

$DH = SH2 - \sin W \times Y$

$DH = SH2 - \sin W \times Y$

AH	SH1	SAM1	SAM1*	SH2	SAM2	W	AX	AX ⁽¹⁾
3470	3200	M - 140	M - 125	2500	SAM1 + 42	5°	26	51
						10°	32	56
						15°	38	61
						20°	44	66
						25°	49	70

AH	SH1	SAM1	SAM1*	SH2	SAM2	W	AX
3410	3200	M - 140	M - 125	2500	SAM1 + 84	5°	62
						10°	57
						15°	52
						20°	46
						25°	41

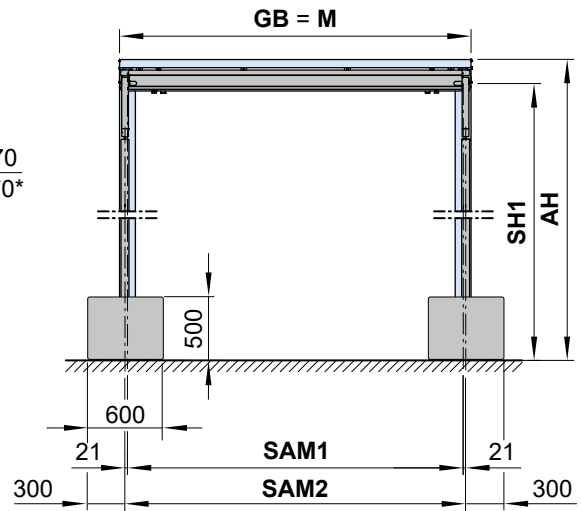
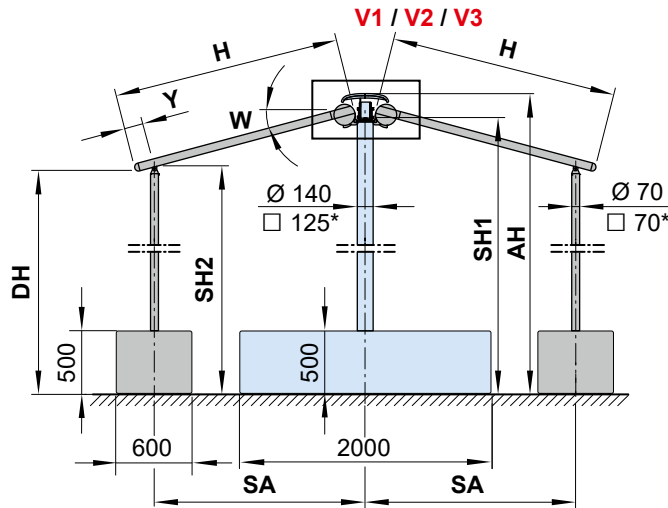
- * = dimensions for square posts
- AH = unit height
- AX = calculation value for SA
- BK = stabilisation box
- DH = headroom
- GB = **order dimension** = overall width of the unit = awning width
- H = extension (depends on the awning model)
- M = **order dimension** = overall awning width
- SA = distance post markilux pergola - post markilux syncra

- SAM1 = post separation, centre to centre, of the markilux syncra
- SAM2 = post separation, centre to centre, markilux pergola
- SH1 = post height of the markilux syncra
- SH2 = post height of the markilux pergola
- VB = height adjustment min. 10 mm up to max. 110 mm
- W = awning pitch 5°-25°, factory set at 15°
- Y = distance front posts must be moved back min. 10 up to max. 100 cm

dimensions in mm

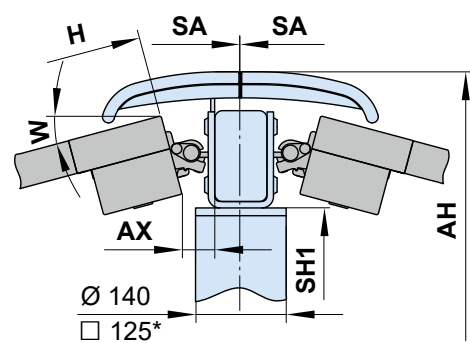
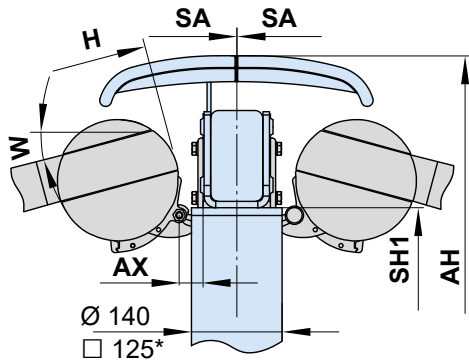
Overview of dimensions

markilux syncra flex pergola classic / cubic / compact, 1 Feld



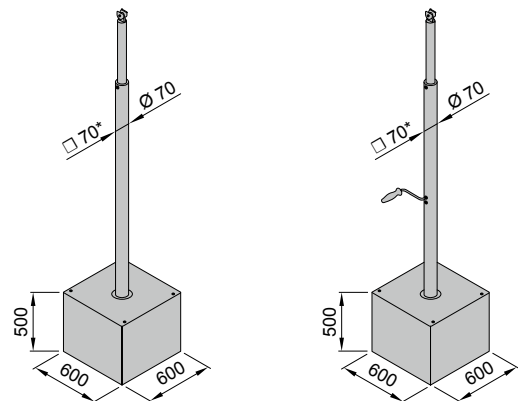
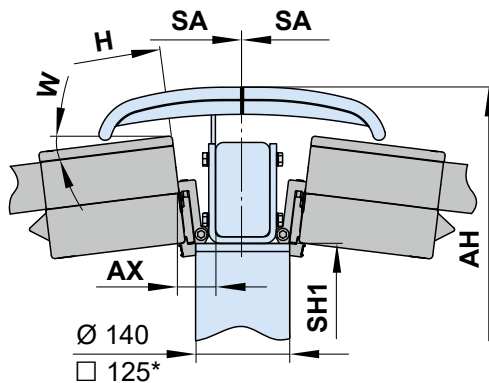
V1 = markilux pergola classic

V2 = markilux pergola compact



V3 = markilux pergola cubic

Stabilisation box with manual or motor operation telescopic support post for markilux pergola classic / cubic / compact



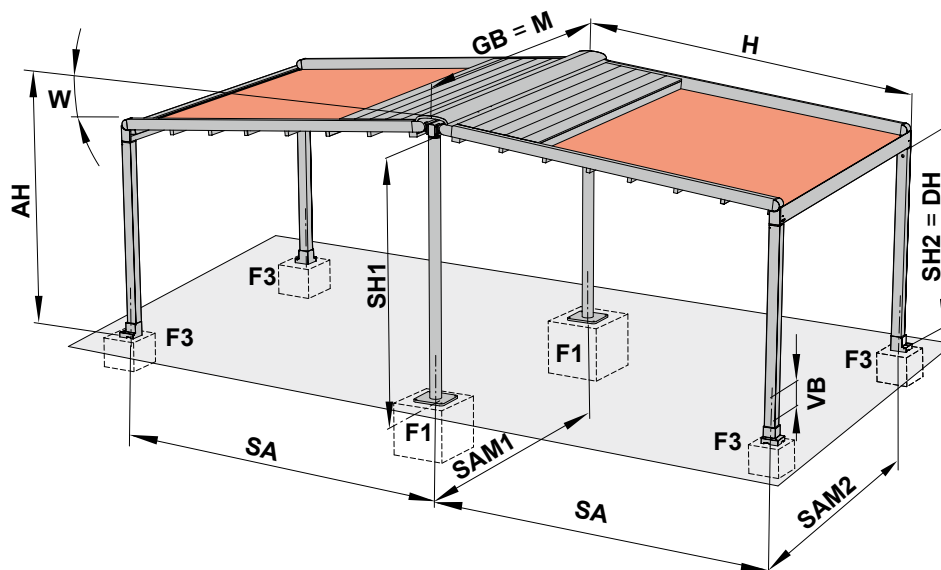
- * = dimensions for a square post
- AH = unit height
- AX = calculation value for SA
- DH = headroom
- GB = **order dimension** = overall width of the unit = awning width
- H = extension (depends on the awning model)
- M = **order dimension** = overall awning width
- SA = separation of the support posts of the markilux pergola to the support posts of the markilux syncra

- SAM1 = post separation, centre to centre, of the markilux syncra
- SAM2 = post separation, centre to centre, of the markilux pergola
- SH1 = post height of the markilux syncra
- SH2 = post height of the markilux pergola
- VB = height adjustment min. 10 mm up to max. 110 mm
- W = awning pitch 5°–25°, factory set at 15°
- Y = distance front posts must be moved back min. 10 up to max. 100 cm

dimensions in mm

01 Overview of dimensions

02 markilux syncra fix with pergola stretch, 1 field



06

07

08

09

10

11

12

13

$SA = \cos W \times (H - Y) + AX + 65 \text{ mm}$

AH	SH1	SAM1	SAM1*	SH2	SAM2	SAM2*	W	AX	Y
3450	3200	M - 140	M - 125	2500	SAM1 - 10	SAM1 + 5	5°	34	52
							10°	37	52
							15°	41	51
							20°	44	49
							25°	47	47

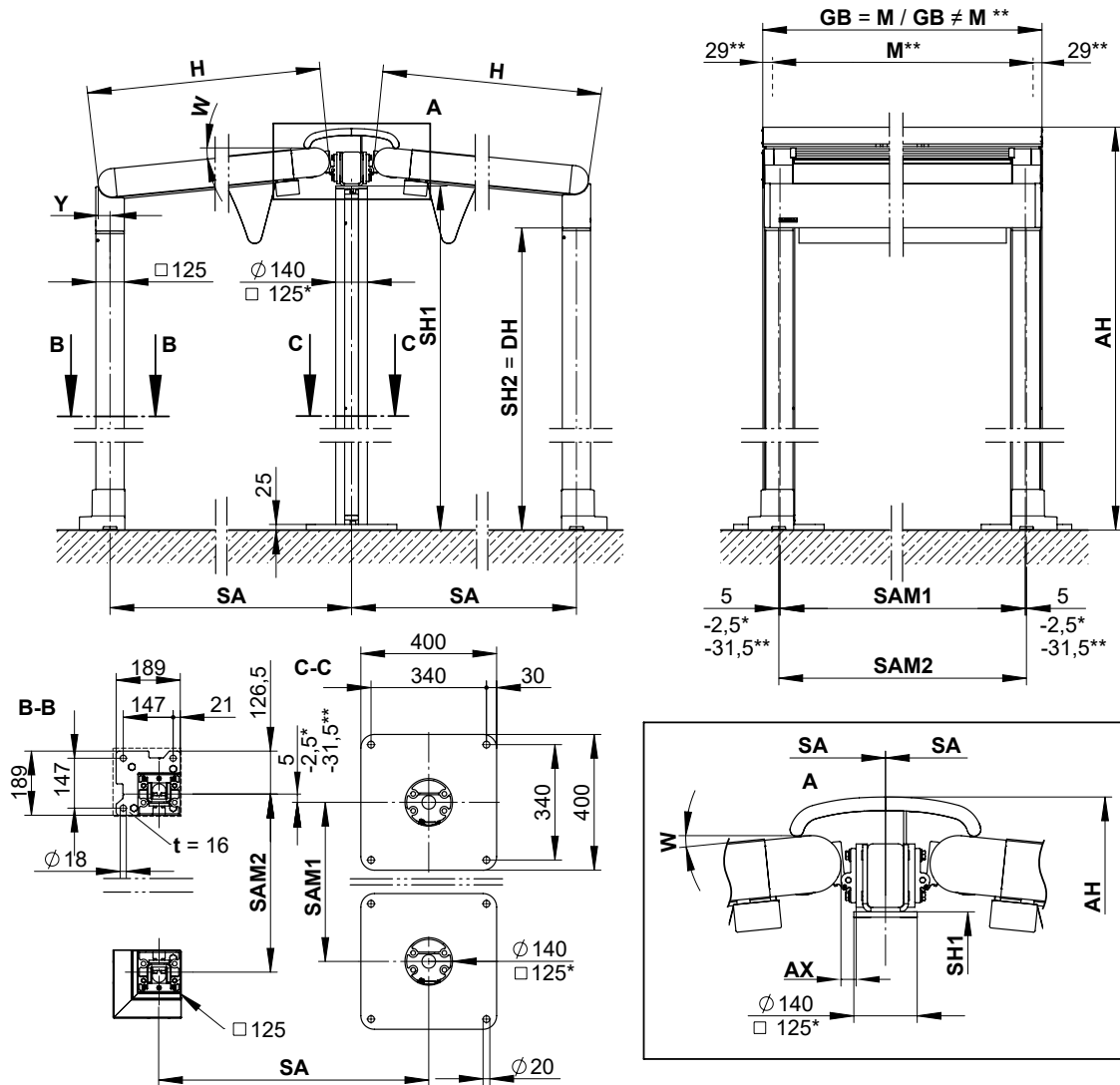
- AH = unit height
- AX = calculation value for SA
- DH = headroom
- F1/F3 = concrete foundation. Please refer to the section "Concrete foundations"
- GB = **order dimension** = overall width of the unit = awning width
- H = extension
- M = **order dimension** = overall awning width
- SA = distance post markilux pergola stretch - post markilux syncra

- SAM1 = post separation, centre to centre, of the markilux syncra
- SAM2 = post separation, centre to centre, of the markilux pergola stretch
- SH1 = post height of the markilux syncra
- SH2 = post height of the markilux pergola stretch
- t = thickness of the base plate
- VB = height adjustment min. 3 mm up to max. 15 mm
- W = awning pitch 5°-25°, factory set at 15°
- Y = calculation value for SA
- * = dimensions for a square post

dimensions in mm

Overview of dimensions

markilux syncra fix with pergola stretch, 1 field



- AH = unit height
- AX = calculation value for SA
- DH = headroom
- GB = **order dimension** = overall width of the unit = awning width
- H = extension
- M = **order dimension** = overall awning width
- SA = distance post markilux pergola stretch – post markilux syncra
- SAM1 = post separation, centre to centre, of the markilux syncra

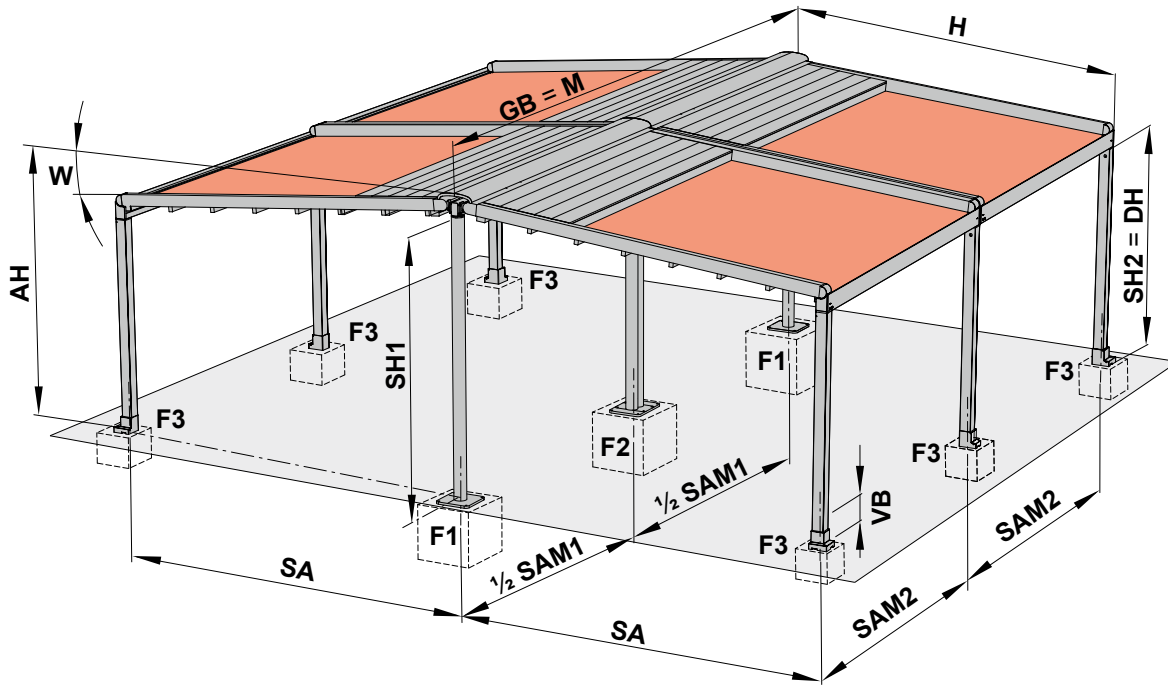
- SAM2 = post separation, centre to centre, of the markilux pergola stretch
- SH1 = post height of the markilux syncra
- SH2 = post height of the markilux pergola stretch
- t = thickness of the base plate
- W = awning pitch 5°–25°, factory set at 15°
- Y = calculation value for SA
- * = dimensions for a square post
- ** = dimensions only for square posts and pergola stretch with crossbeam and markilux format triangle

dimensions in mm

01
02
03
04
05
06
07
08
09
10
11
12
13

01 Overview of dimensions

02 markilux syncra fix with pergola stretch, multi-field unit



06

07

08

09

10

11

12

13

$SA = \cos W \times (H - Y) + AX + 65 \text{ mm}$

AH	SH1	SAM1	SAM1*	SH2	2x SAM2	2x SAM2*	W	AX	Y
3450	3200	M - 140	M - 125	2500	SAM1 - 10	SAM1 + 5	5°	34	52
							10°	37	52
							15°	41	51
							20°	44	49
							25°	47	47

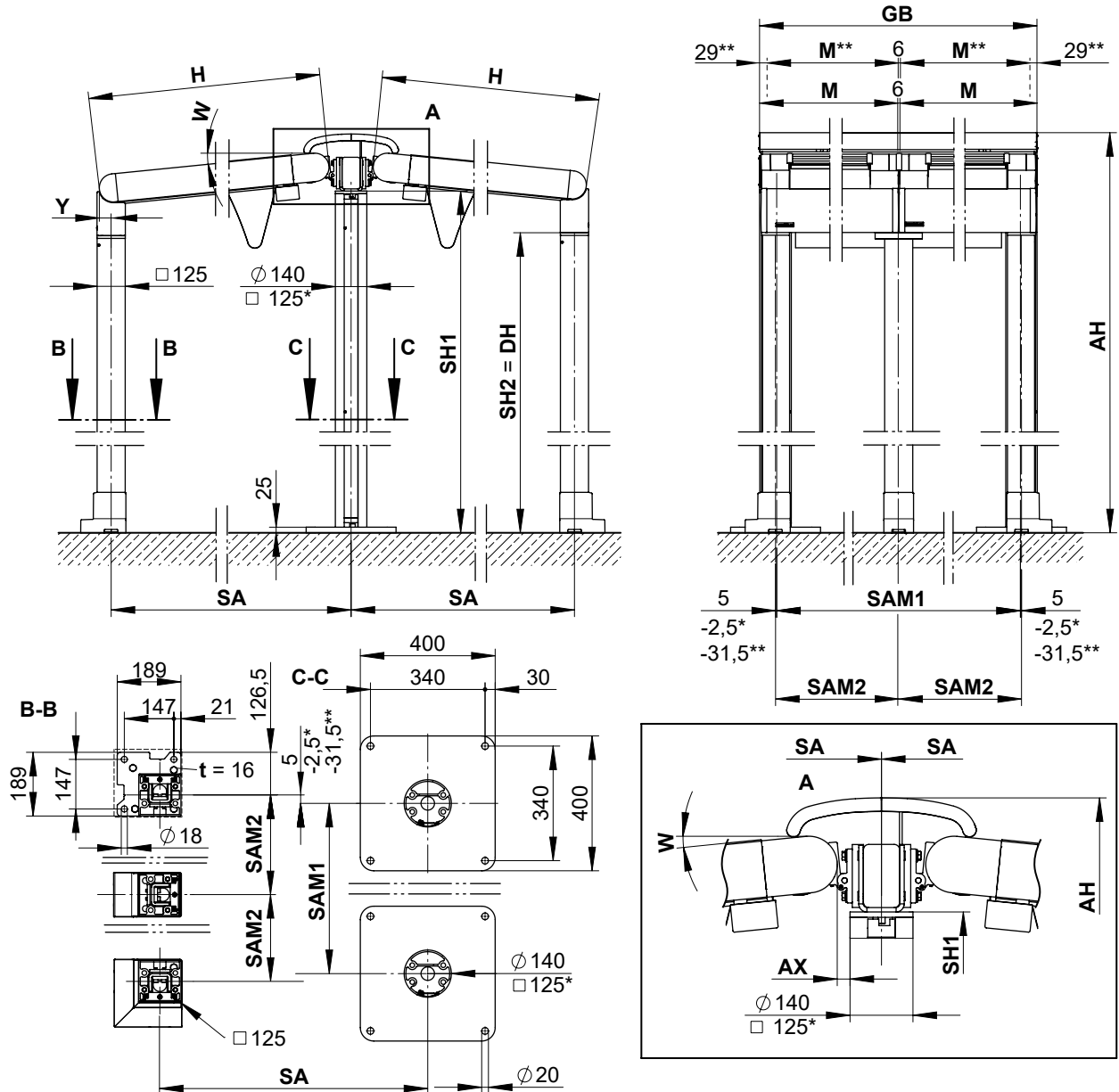
- AH = unit height
- AX = calculation value for SA
- DH = headroom
- F1/F2 = concrete foundation. Please refer to the section "Concrete foundations"
- F3 = concrete foundation
- GB = **order dimension** = overall width of the unit = awning width
- H = extension
- M = **order dimension** = overall awning width
- SA = distance post markilux pergola stretch - post markilux syncra

- SAM1 = post separation, centre to centre, of the markilux syncra
- SAM2 = post separation, centre to centre, of the markilux pergola stretch
- SH1 = post height of the markilux syncra
- SH2 = post height of the markilux pergola stretch
- t = thickness of the base plate
- VB = height adjustment min. 3 mm up to max. 15 mm
- W = awning pitch 5°-25°, factory set at 15°
- Y = calculation value for SA
- * = dimensions for a square post

dimensions in mm

Overview of dimensions

markilux syncra fix with pergola stretch, multi-field unit



- AH = unit height
- AX = calculation value for SA
- DH = headroom
- GB = **order dimension** = overall width of the unit = awning width
- H = extension
- M = **order dimension** = overall awning width
- SA = distance post markilux pergola stretch – post markilux syncra
- SAM1 = post separation, centre to centre, of the markilux syncra

- SAM2 = post separation, centre to centre, of the markilux pergola stretch
- SH1 = post height of the markilux syncra
- SH2 = post height of the markilux pergola stretch
- t = thickness of the base plate
- Y = calculation value for SA
- * = dimensions for a square post
- ** = dimensions only for square posts and pergola stretch with crossbeam and markilux format triangle

dimensions in mm

01
02
03
04
05
06
07
08
09
10
11
12
13

01 Overview of dimensions

markilux syncra flex

02 Stabilisation box square post

Stabilisation box round post

03

04

05

06

07

08

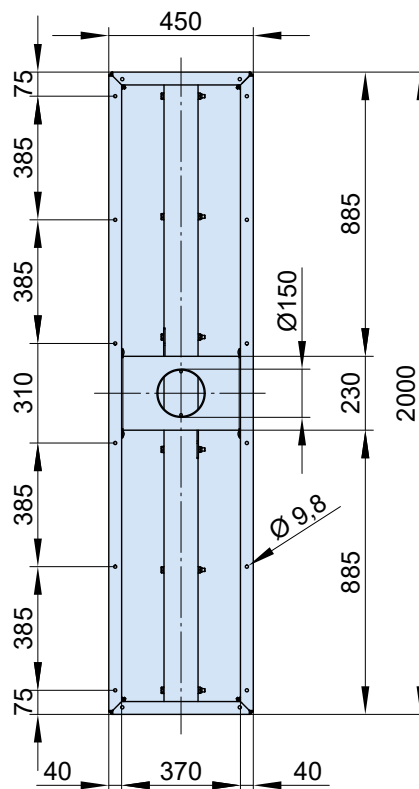
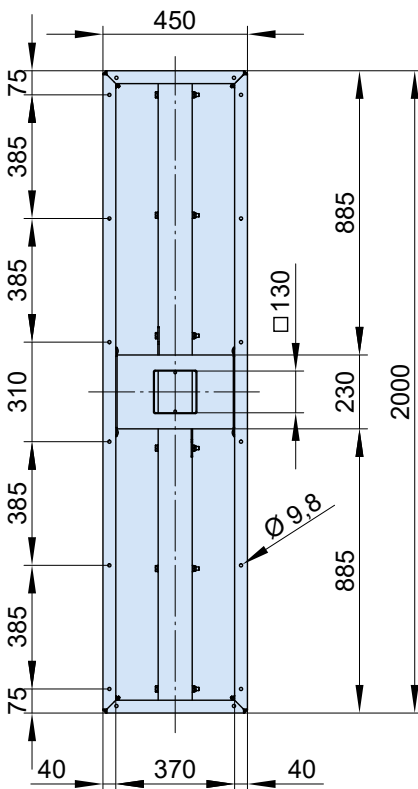
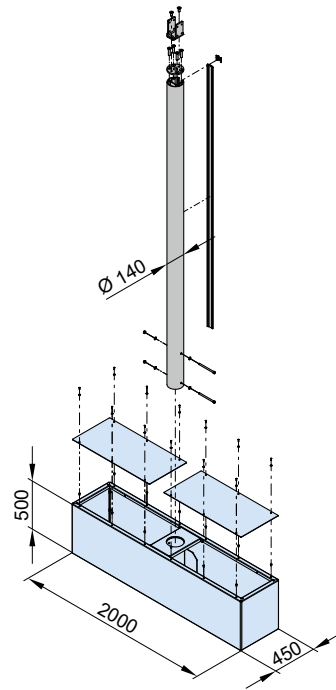
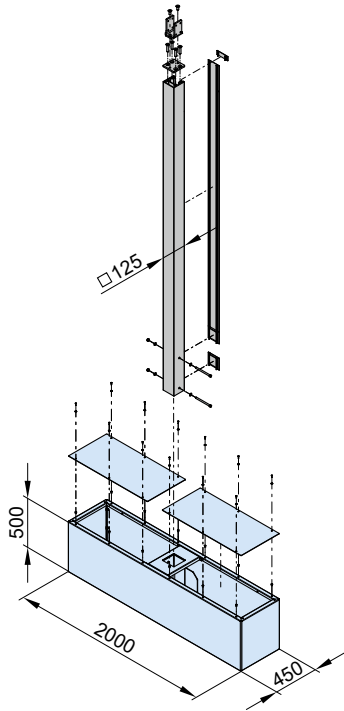
09

10

11

12

13



dimensions in mm