



Pergola awning

markilux pergola compact

The graceful awning system that can be used as sun and wet weather protection for the patio – highly modern design with an appealing, square cassette.



reddot design award
winner 2017



markilux.com

0800 953 0199

www.aqblinds.co.uk

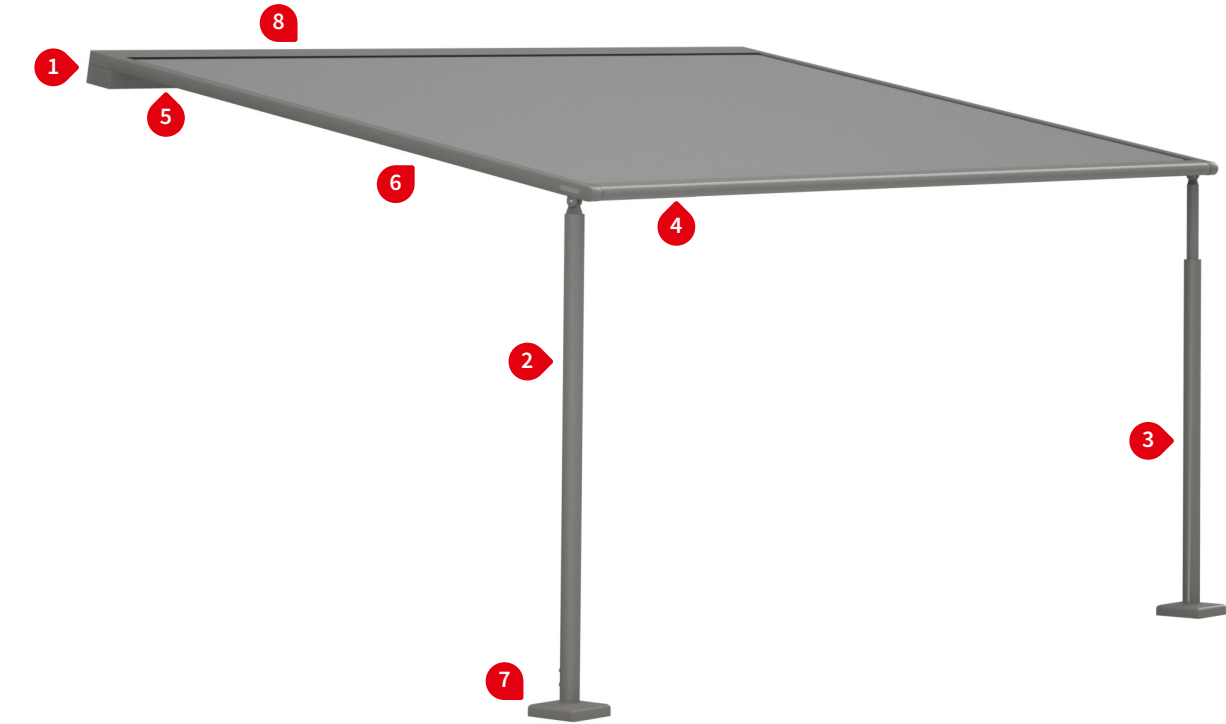
markilux

safe timeless beautiful

Product characteristics

Wind resistance class 3
Beaufort 6 → 38–48 km/h → 10.5–13.4 m/s → 24–30 mph

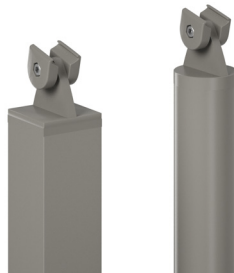
01
02
03
04
05
06
07
08
09
10
11
12
13



1) face fixture depicted by way of example



2) manufacture with square or round posts



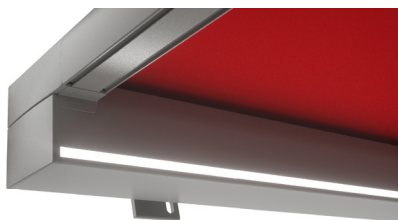
3) adjustable post¹⁾ manual or motor-driven



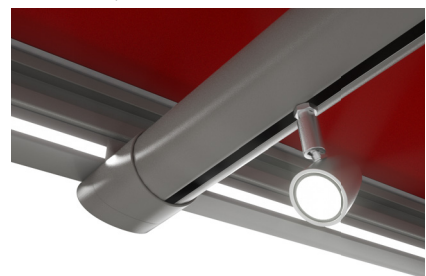
4) shadeplus¹⁾, manual operation, during extension



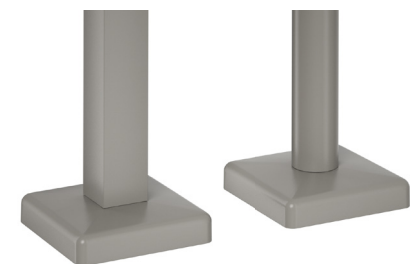
5) LED-Line in the cassette¹⁾



6) combination of LED-Line and LED-Spots¹⁾



7) footplate cover standard



7) support post with stabilisation box¹⁾



8) wall sealing profile¹⁾



1) Optional accessories

Product characteristics

Description

- Awning system with lateral guide tracks resting on posts at the front, making an extension of 4 meters possible and the shading of up to 18 m² with a single awning. Thanks to the tracfix cover guidance system, the sophisticated and reliable tensioning technology and its sturdy construction, the system can be used up to Beaufort 6 (wind resistance class 3).

Special features

- fully encompassing cassette that protects the cover perfectly
- tried-and-tested tensioning system with drive belts and integrated gas pistons – delivers optimum cover tension – in any phase of extension
- with tracfix system, the continuous lateral cover guidance system that leaves no gap between the cover and guide tracks – gives improved wind stability and a cleaner appearance
- various lighting combinations available: LED Line in the guide tracks, LED Line in the cassette, LED Line in the lighting bar or LED Spots fitted to the lighting bar – individually configurable lighting options which provide a pleasant atmosphere in the evening
- A shadeplus with a height of 210 is optional - integrated vertical sun and privacy protection in the front profile, manually operated
- an optional telescopic post, manually operated, ensures water drainage, even at the low minimum pitch of 8°
- support posts optionally round or square, incl. screw-on footplates or ballast boxes for versatile installation
- can be combined perfectly with the markilux syncra, the vertical roller blinds markilux 776 tracfix, markilux 876 tracfix and the side screen markilux 790

Dimensions

- fixture width 72–450 cm, maximum extension 400 cm
- maximum width x extension: 455,4 × 400 cm
- intermediate sizes are available

Roller tube and lateral bearings

- Round roller tube Ø 85 mm with keyway, galvanised steel – excellent stability, ensures near perfect cover performance even at the largest widths
- the roller tube bearing is made of stainless steel

Awning profiles

- extruded aluminium, in façade quality, powder coated
- cassette profile in two pieces, square, height × depth 125 mm × 125 mm
- guide tracks angular, rounded edges, width × depth 52 mm × 52 mm
- front profile rounded at the front, depth × height 110 mm × 52 mm, shadeplus profile depth × height 139 mm × 66 mm

End caps

- the cassette end caps are made of die-cast aluminium, in two parts, powder coated
- the guide track end caps are made of high-quality plastic, powder coated

Fixture brackets and support posts

- extruded aluminium, powder coated
- Cassette holder: wall mounting, ceiling mounting, rafter mounting
- posts square 70 × 70 mm or round Ø 70 mm, standard height 250 cm, intermediate heights up to a maximum of 300 cm are available, fixed posts with footplate min. 36 cm and with a ballast box min. 60 cm in height, telescopic posts with footplate min. 157 cm and with ballast box min. 198 cm in height
- screw-on footplate 200 × 200 mm
- footplate cover 212 × 212 mm in one piece, height 48 mm, is made of die-cast aluminium, corners rounded
- a version of the support posts with optional ballast box 600 × 600 mm x 525 mm (wxdxh), for versatile installation is available

N.B! For additional information and configuration options, please refer to the chapters “General Information” and “markilux Optional Accessories” in the sales manual “Vertical Blinds | Glass Roof Awnings”.

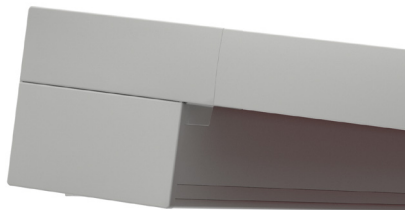
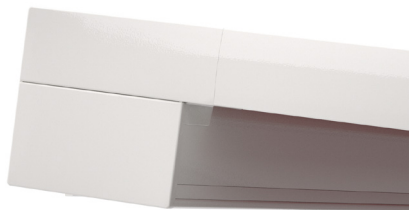
01 **Frame colours**

02 markilux frame colours without surcharge

03 traffic white, RAL 9016

metallic aluminium, RAL 9006

grey brown, similar to RAL 8019



06

07 off-white textured finish, 5233 ¹⁾

stone grey metallic, 5215 ¹⁾

anthracite metallic, 5204 ¹⁾



10

11

12 havana brown textured finish, 5229 ¹⁾



Non-standard powder-coated finish

Bespoke frame colours incur a surcharge – matt, metallic, finely textured and pearl finishes as well as other colour ranges (DB, Tiger etc.) on request. All frame colours are available at a surcharge with enhanced corrosion protection.

Colours may differ slightly from those depicted in both hue and finish.

¹⁾ textured finish

Dimensions and configuration options

Single unit

| | | Awning fixture width | | | | | | Minimum awning fixture width | |
|----------------------|-------------------|----------------------|-----|-----|-----|-----|-----|------------------------------|------------------------|
| | | 200 ¹⁾ | 250 | 300 | 350 | 400 | 450 | Hard-wired motor | Radio-controlled motor |
| Order dimensions | | 72 | 201 | 251 | 301 | 351 | 401 | 72 | 82 |
| Overall Awning width | | 200 | 250 | 300 | 350 | 400 | 450 | | |
| | | + 5,4 | | | | | | | |
| H | 150 ¹⁾ | | | | | | | | |
| | 200 | | | | | | | | |
| | 250 | | | | | | | | |
| | 300 | | | | | | | | |
| | 350 | | | | | | | | |
| | 400 | | | | | | | | |

- 1) = drop valance not available
- 2) = from an extension of 281 cm
- H = **order dimension** = extension

= optionally available with 20 cm telescopic post
 = optionally available with 30 cm telescopic post

dimensions in cm

The minimum pitch that will ensure water drainage

| | extension ≤ 250 cm | extension ≥ 251 ≤ 350 cm | extension ≥ 351 cm |
|---|--------------------|--------------------------|--------------------|
| unit with fixed posts, without shadeplus | 15° | 15° | 15° |
| unit with fixed posts, with shadeplus | 18° | 18° | 18° |
| unit with telescopic post, without / with shadeplus | 8° | 9° | 10° |

Operation

| | standard | optional |
|--|----------|----------|
| crank handle | — | — |
| hard-wired motor | ✓ | — |
| silentec motor (optionally with an external io / RTS receiver) | — | — |
| radio-controlled motor io, 868 MHz | — | ✓ |
| radio-controlled motor RTS, 433 MHz | — | ✓ |
| 868 MHz radio-controlled motor io with manual override | — | — |

Coupled awnings

not available

Shadeplus

| | standard | optional |
|---|----------|----------|
| height depends on fabric pattern, see table "Shadeplus cover" | | |
| awning fixture width minimum 201 cm – maximum 450 cm | | |
| crank handle | ✓ | — |
| hard-wired motor | — | — |
| radio-controlled motor io, 868 MHz | — | — |
| radio-controlled motor RTS, 433 MHz | — | — |

Optional accessories

| |
|---|
| adjustable posts, manual or motor-driven |
| posts with stabilisation boxes |
| shadeplus, manual |
| infrared heater 2500 W |
| infrared heater 2500 W with integrated radio-controlled receiver 868 MHz io |
| wall sealing profile |
| LED-Line in the cassette |
| LED-Line attached to the guide tracks |
| LED-Line in the cover support tube ¹⁾ |
| LED-Spots in the cover support tube ¹⁾ |
| vertical cassette blind markilux 776 tracfix / 876 tracfix |
| automatic controls (light, wind, rain) |

N.B. Important background information can be found in the chapter "Optional Accessories"

1) cannot be combined with each other

01
02
03
04
05
06
07
08
09
10
11
12
13

sunvas Fabric pattern 309.. – 315.. **smart art** 340..
transolair 339.. **sunsilk** 324.. / 328.. / 369..
perla FR 371.. / 372..
 Fabric width 120 cm

| | | Awning width | | | | | | |
|----|-----|--------------|-----|-----|-----|-----|-----|-----|
| | | 150 | 200 | 250 | 300 | 350 | 400 | 450 |
| AH | 150 | | | | | | | |
| | 200 | | | | | | | |
| | 250 | | | | | | | |
| | 300 | | | | | | | |
| | 350 | | | | | | | |
| | 400 | | | | | | | |

sunvas Fabric pattern 31008²⁾, -09²⁾, -13, -16, -18, -25, -27, -28, -31, -36, -37, -57, -58, 31109, -14, -17
 Fabric width 250 cm

| | | Awning fixture width | | | | | | |
|----|-----|----------------------|-----|-----|-----|-----|-----|-----|
| | | 150 | 200 | 250 | 300 | 350 | 400 | 450 |
| AH | 150 | | | | | | | |
| | 200 | | | | | | | |
| | 240 | | | | | | | |
| | 300 | | | | 2) | 2) | 2) | |
| | 350 | | | | 2) | 2) | 2) | |
| | 400 | | | | 2) | 2) | | |

2) also available in fabric width 320 cm – then seamless

sunbow Fabric pattern 411.. - 427..
 Fabric width 120 cm

| | | Awning fixture width | | | | | | |
|----|-----|----------------------|-----|-----|-----|-----|-----|-----|
| | | 150 | 200 | 250 | 300 | 350 | 400 | 450 |
| AH | 150 | | | | | | | |
| | 200 | | | | | | | |
| | 250 | | | | | | | |
| | 300 | | | | | | | |
| | 350 | | | | | | | |
| | 400 | | | | | | | |

Note: The maximum width of the outer panels in tracfix systems with vertical panel joints is 35 cm

= vertical panel joints (panel width approx. 120 cm)
 = seamless
 = not available
 = horizontal panel joint(s)
 AH = unit height

dimensions in cm

transolair Fabric pattern 338..
Fabric width 250 cm

| | | Awning fixture width | | | | | | |
|----|-----|----------------------|-----|-----|-----|-----|-----|-----|
| | | 150 | 200 | 250 | 300 | 350 | 400 | 450 |
| AH | 150 | | | | | | | |
| | 200 | | | | | | | |
| | 240 | | | | | | | |
| | 300 | | | | | | | |
| | 350 | | | | | | | |
| | 400 | | | | | | | |

perfortex Fabric pattern 331.. / 332..
Fabric width 120 cm

| | | Awning fixture width | | | | | | |
|----|-----|----------------------|-----|-----|-----|-----|-----|-----|
| | | 150 | 200 | 250 | 300 | 350 | 400 | 450 |
| AH | 150 | | | | | | | |
| | 200 | | | | | | | |
| | 250 | | | | | | | |
| | 300 | | | | | | | |
| | 350 | | | | | | | |
| | 400 | | | | | | | |

vuscreen Alu Fabric pattern 317..
Fabric width 252 cm

| | | Awning fixture width | | | | | | |
|----|-----|----------------------|-----|-----|-----|-----|-----|-----|
| | | 150 | 200 | 250 | 300 | 350 | 400 | 450 |
| AH | 150 | | | | | | | |
| | 200 | | | | | | | |
| | 243 | | | | | | | |
| | 300 | | | | | | | |
| | 350 | | | | | | | |
| | 400 | | | | | | | |

glass fibre screen Serge 600 Fabric pattern 272..
Fabric width 250 cm

| | | Awning fixture width | | | | | | |
|----|-----|----------------------|-----|-----|-----|-----|-----|-----|
| | | 150 | 200 | 250 | 300 | 350 | 400 | 450 |
| AH | 150 | | | | | | | |
| | 200 | | | | | | | |
| | 250 | | | | | | | |
| | 300 | | | | | | | |
| | 350 | | | | | | | |
| | 400 | | | | | | | |

Note: The maximum width of the outer panels in tracfix systems with vertical panel joints is 35 cm

- = vertical panel joints (panel width approx. 120 cm)
- = seamless
- = horizontal panel joint(s)
- = not available
- AH** = unit height

dimensions in cm

01
02
03
04
05
06
07
08
09
10
11
12
13

Soltis Veozip (not available) Fabric pattern 511..
Fabric width 290 cm

| | | Awning fixture width | | | | | | |
|----|-----|----------------------|-----|-----|-----|-----|-----|-----|
| | | 150 | 200 | 250 | 300 | 350 | 400 | 450 |
| AH | 150 | | | | | | | |
| | 200 | | | | | | | |
| | 250 | | | | | | | |
| | 300 | | | | | | | |
| | 350 | | | | | | | |
| | 400 | | | | | | | |

Soltis Perform 92 Fabric pattern. 92..
Fabric width 177 cm

| | | Awning fixture width | | | | | | |
|----|-----|----------------------|-----|-----|-----|-----|-----|-----|
| | | 150 | 200 | 250 | 300 | 350 | 400 | 450 |
| AH | 150 | | | | | | | |
| | 180 | | | | | | | |
| | 250 | | | | | | | |
| | 300 | | | | | | | |
| | 350 | | | | | | | |
| | 400 | | | | | | | |

Note: The maximum width of the outer panels in tracfix systems with vertical panel joints is 35 cm

= vertical panel joints (panel width approx. 120 cm)
 = seamless
 = not available
 = horizontal panel joint(s)
 AH = unit height

dimensions in cm

Dimensions and configuration options

| Awning cover | fabric pattern no. | standard | optional |
|-------------------|-----------------------|----------|----------|
| sunvas | 300..-315.. | ✓ | — |
| sunsilk | 324.. / 328.. / 369.. | ✓ | — |
| sunbow | 411..-427.. | ✓ | — |
| smart art | 340.. | — | ✓ |
| perla FR | 371.. / 372.. | — | ✓ |
| perfortex | 331.. / 332.. | ✓ | — |
| vuscreen Alu | 317.. | — | ✓ |
| Soltis Perform 92 | 92-.. | — | ✓ |

Shadeplus / drop valance with magnetic, articulated crank handle

| shadeplus / drop valance cover ¹⁾ | fabric pattern no. | standard | optional | Awning fixture width | height | tailored cloth |
|--|-------------------------------|----------|----------|----------------------|--------|----------------|
| sunvas | 309.. / 310.. / 311.. | ✓ | — | ≤ 450 | 210 | QN |
| sunsilk | 324.. | ✓ | — | ≤ 450 | 210 | QN |
| sunbow | 411.. / 414.. / 421.. / 424.. | ✓ | — | ≤ 450 | 210 | QN |
| transolair | 338.. | — | ✓ | ≤ 450 | 210 | N |
| transolair (120 cm) | 339.. | — | ✓ | ≤ 450 | 210 | QN |
| vuscreen Alu | 317.. | — | ✓ | ≤ 450 | 150 | N |
| Soltis Perform 92 | 92-.. | — | ✓ | ≤ 450 | 210 | QN |
| glass fibre screen Serge 600 | 272.. | — | ✓ | ≤ 450 | 190 | N |
| perfortex | 331.. / 332.. | — | — | | | |
| perla FR | 371.. / 372.. | — | — | | | |

1) Shadeplus cover is narrower than the awning cover

N = Seamless

QN = Horizontal seam(s)

Only available in plain seamless fabrics (oversized, fabric width > 120 cm) or in plains with a horizontal joint (fabric width 120 cm)

N.B! Covers made from fabrics 120 cm wide will have a horizontal joint!

As a result, a fabric with a textured or flecked pattern will take on an appearance different from that of the awning cover if made from the same fabric.

markilux shadeplus

Tips for selecting a shadeplus fabric

Ideally, a shadeplus cover should be made **seamlessly** or with horizontal panels (the cover then has a **horizontal seam**) in order to achieve the best result.

Seamless fabric qualities are: sunvas oversized material and transolair series 338.. Fabric qualities with a horizontal seam are: plain fabrics from the sunsilk, sunvas, sunbow collections and transolair series 339.. as well as from the Soltis Perform 92 series.

Owing to the small winding diameter, the rolling up characteristics and the resulting visual appearance of the cover, shadeplus covers made with vertical seams are not recommended.

01 **Lighting options**

02

03

04

05

06

07

08

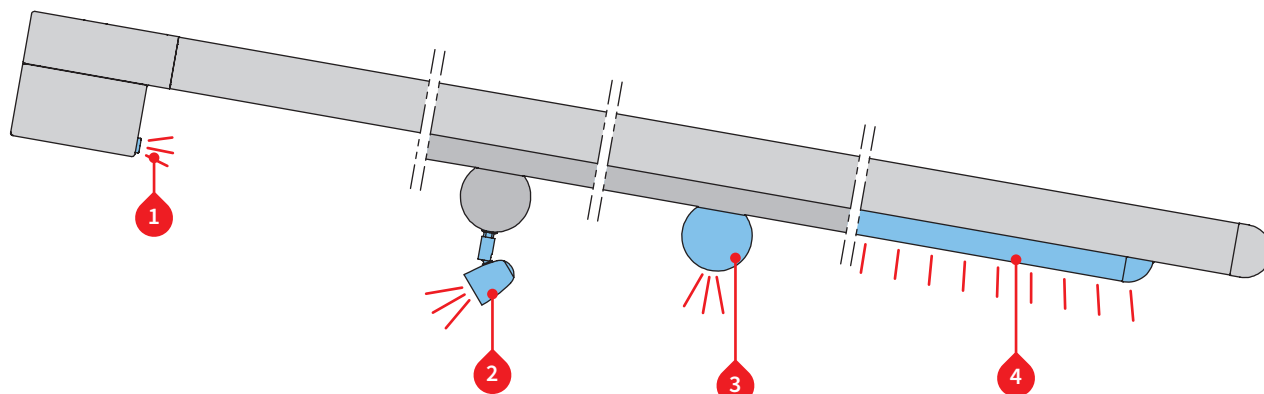
09

10

11

12

13



Lighting options

- 1 LED-Line in the cassette
- 2 LED-Spots in the cover support tube ¹⁾
- 3 LED-Line in the cover support tube ¹⁾
- 4 LED-Line attached to the guide tracks

For combination possibilities please view section "Dimension overview lighting options"

1) cannot be combined with each other

Controls

| | standard | optional |
|-------------------------------------|----------|----------|
| on/off switch | — | ✓ |
| radio-controlled dimmer io 868 MHz | ✓ | — |
| radio-controlled dimmer RTS 433 MHz | — | ✓ |

1 including 3 including 4 LED-Line in the cassette / in the cover support tube / attached to the guide tracks

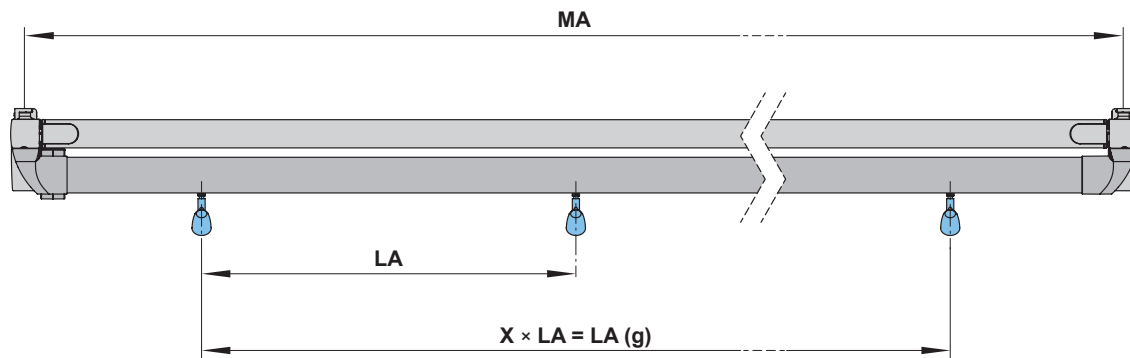
Technical specification

| | |
|------------------------|------------------|
| operating voltage | 230 V, 50 Hz |
| power output per metre | 10 W |
| light source | LED (12 V) |
| number of LEDs | 120 units / m |
| number of transformers | 1 unit |
| light temperature | warm white |
| IP protection class | IP 44 |
| service life | approx. 15.000 h |

Note on combination restriction: markilux format triangular version cannot be installed on a markilux pergola with LED-Line in the guide rails and/or cover support profile.

Distribution of the LED-Spots

2 in the cover support tube



| Awning fixture width | no. of spots | LA | LA (g) |
|----------------------|--------------|----|--------|
| 150-250 | 3 | 65 | 130 |
| 251-300 | 3 | 98 | 196 |
| 301-350 | 3 | 98 | 196 |
| 351-400 | 4 | 98 | 294 |
| 401-450 | 4 | 98 | 294 |

2 including LED-Spots attached to the cover support tube

Technical specification

| | |
|-----------------------------------|----------------------|
| operating voltage | 230 V, 50 Hz |
| power output of one LED spotlight | 5 W |
| light source | LED (12 V) |
| number of transformers | 1 unit |
| light temperature | warm white |
| IP protection class | IP 44 |
| service life | approx. 20,000 hours |

LA = distance between the spots
 LA (g) = distance between the spotlights (total)
 MA = **order dimension** = awning fixture width = fixture width

dimensions in cm

01 **Overview of dimensions**

02 Support post fixture to a concrete footing

03

04

05

06

07

08

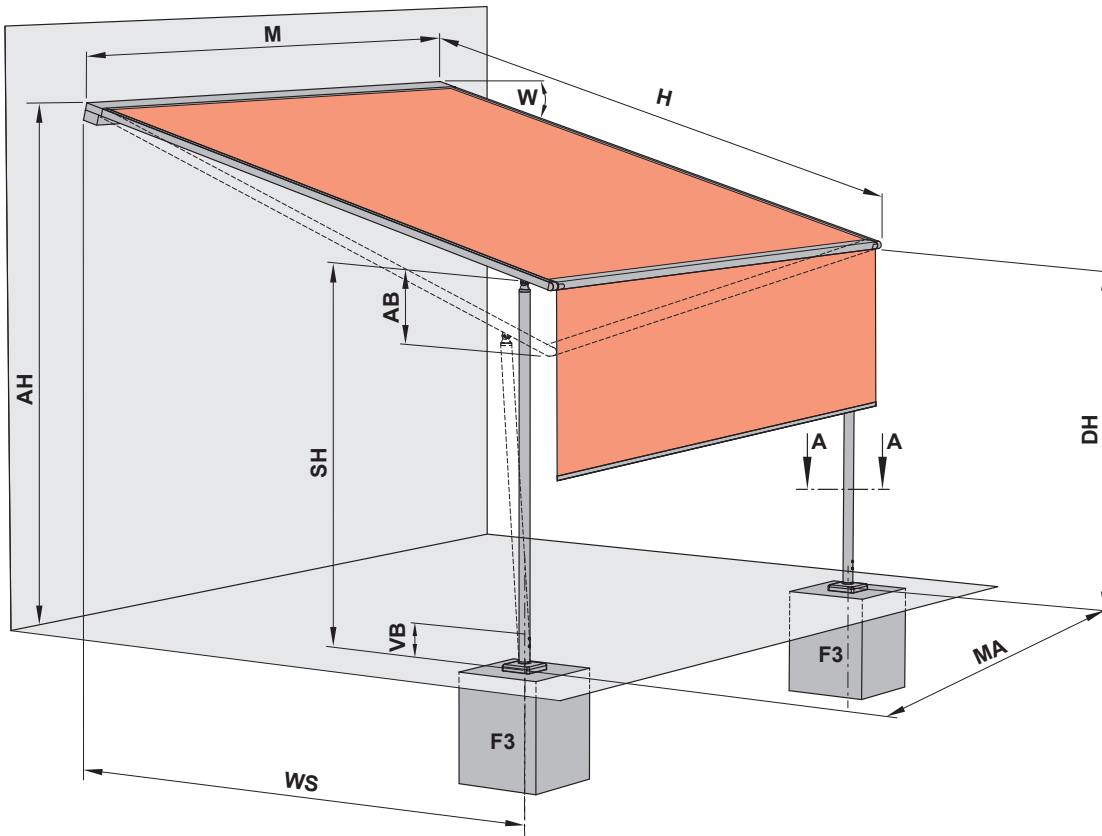
09

10

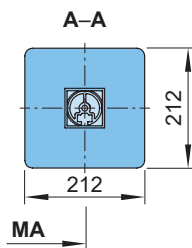
11

12

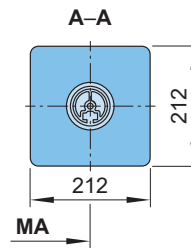
13



Square posts



Round posts



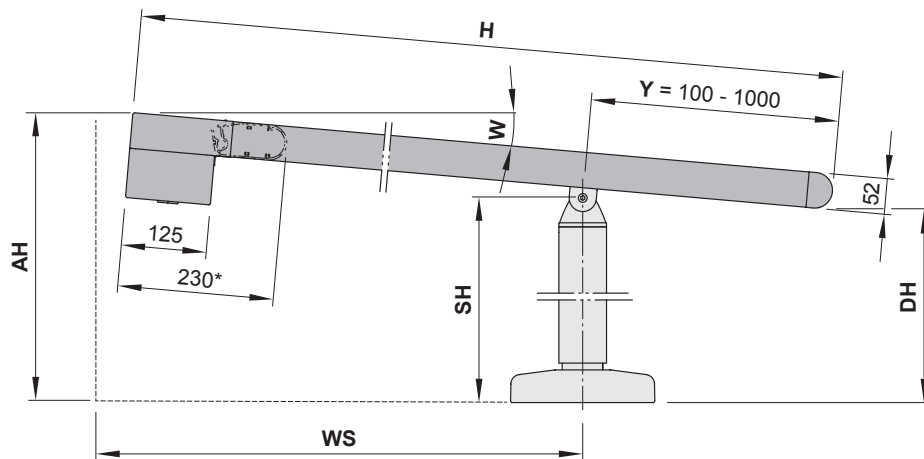
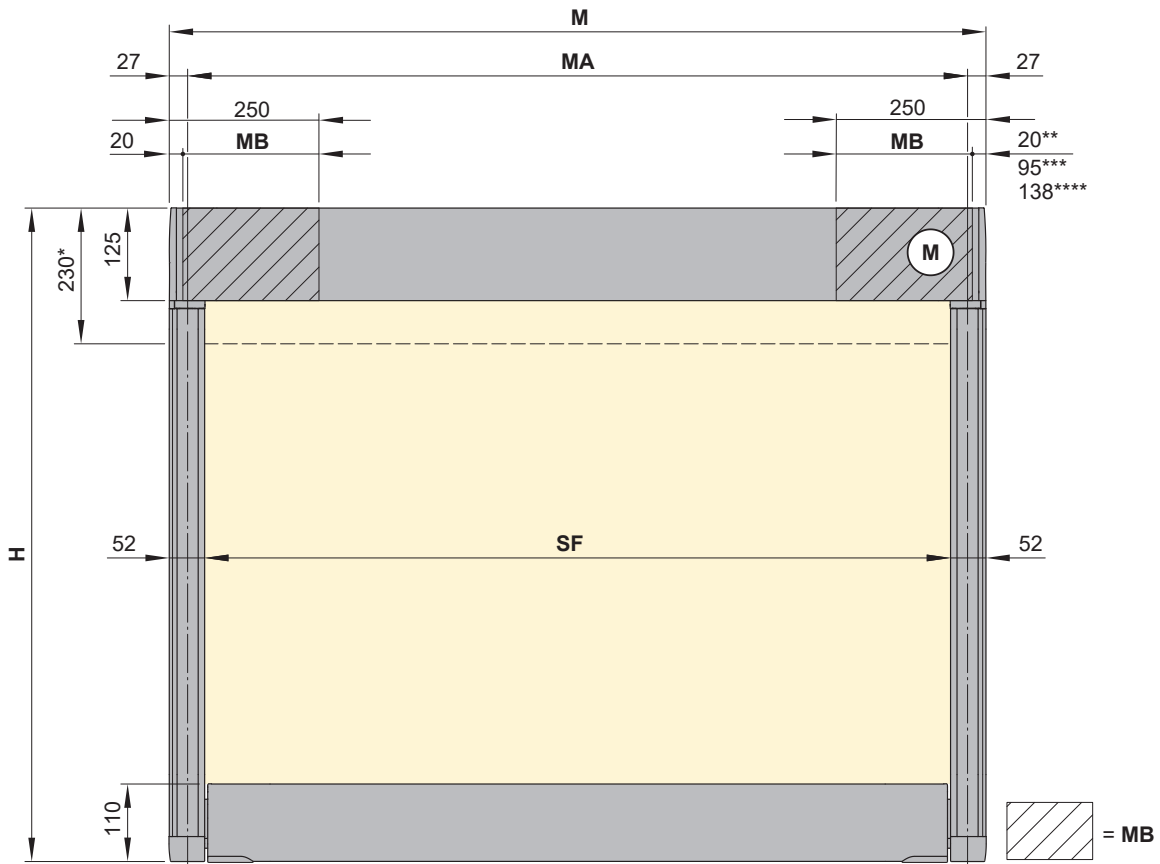
- AB = telescopic range of a post 200 mm or 300 mm, optionally on the left / right, see "Dimensions and configuration option"
- AH = fixture height
- DH = headroom
- F3 = concrete footing
- H = **order dimension** = extension
- M = overall awning width = MA + 54 mm

- MA = **order dimension** = awning fixture width
- SH = **order dimension** = support post height, standard height 2500 mm (special heights on request)
- VB = height adjustment at the base of both the front support posts during installation approx. 100 mm
- W = pitch setting = 5°–35°
- WS = distance from wall ←→ support post centre

dimensions in mm

Overview of dimensions

Single unit



* = extension when retracted
 * = dimensions for rear cable exit on motor side (standard)
 *** = dimensions in case of lighting
 **** = dimensions for cable duct in case of lighting
 AH = fixture height
 DH = headroom
 H = **order dimension** = extension
 M = overall blind width = MA + 54 mm
 (M) = operation side, motor drive, for an example right

MA = **order dimension** = awning fixture width
 MB = bracket fixture range
 SH = **order dimension** = support post height, standard height 2500 mm (special heights on request)
 SF = visible cover
 W = pitch setting = 5°-35°
 WS = distance from wall ↔ support post centre
 Y = **order dimension** = distance from post centre to leading edge of front profile

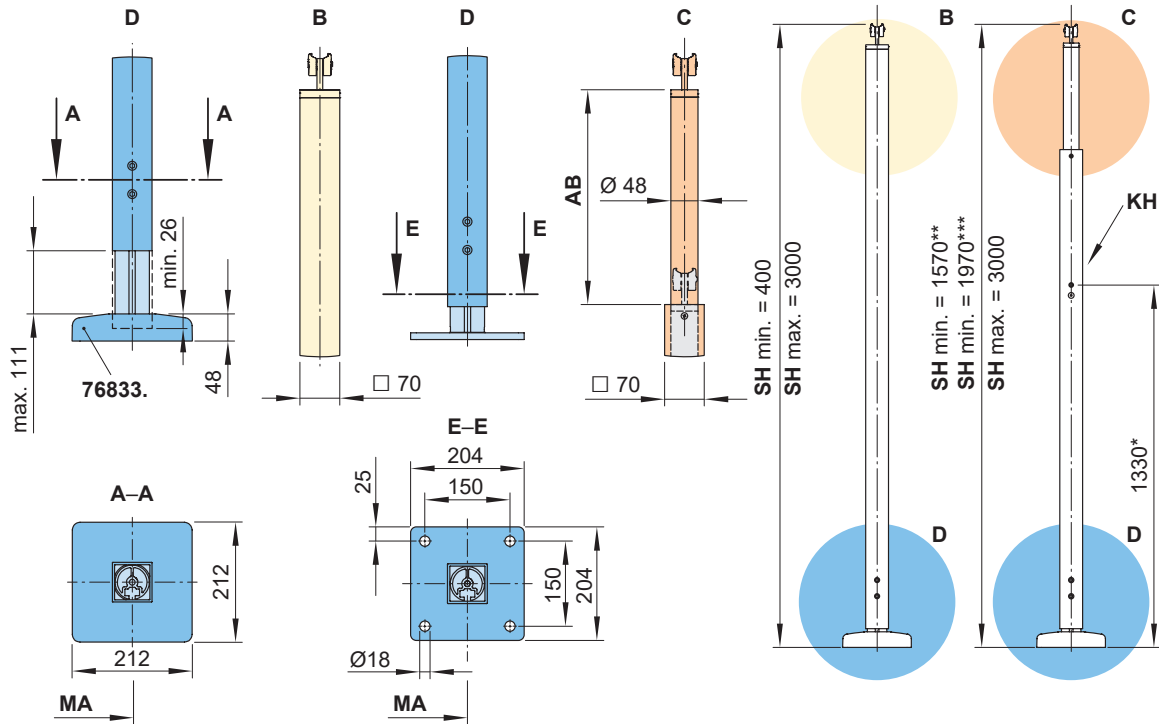
dimensions in mm

01
02
03
04
05
06
07

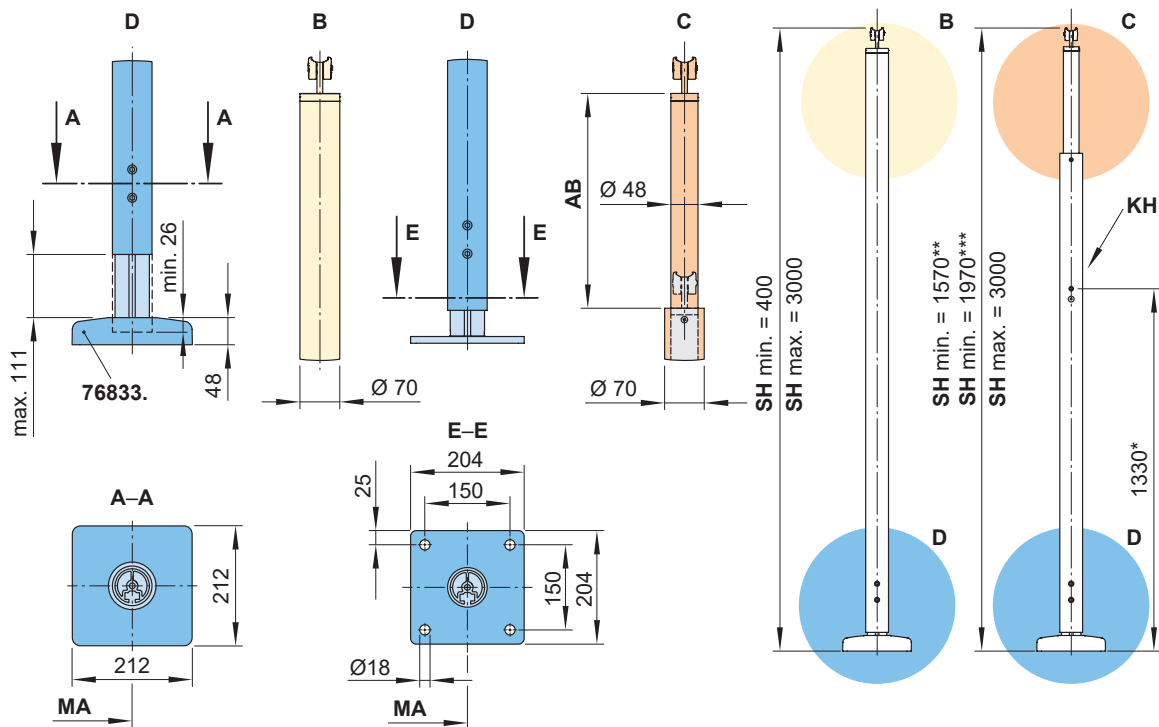
01
02
03
04
05
06
07
08
09
10
11
12
13

Post dimensions

Square support post with footplate (not adjustable / adjustable)



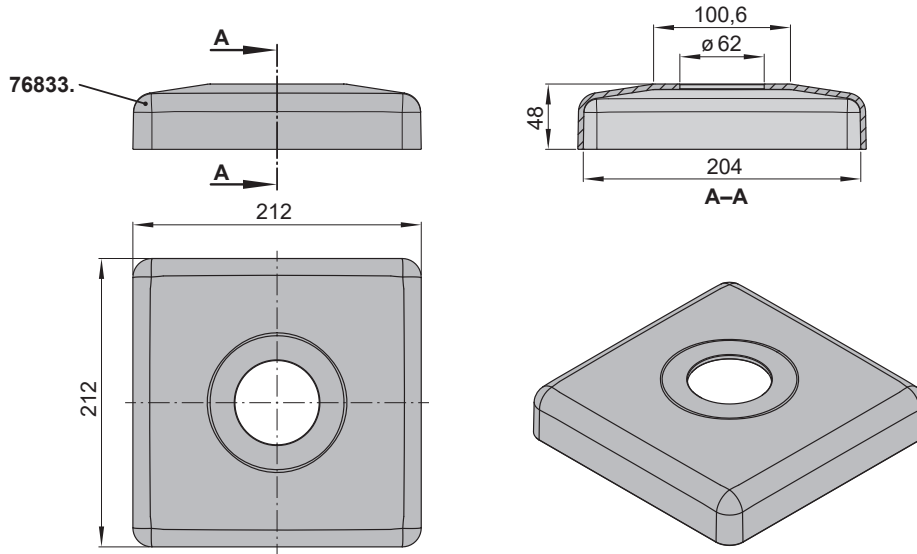
Round support post with footplate (not adjustable / adjustable)



- * = dimensions at the standard height
- *** = dimensions at manual operation
- ** = dimensions at motor operation
- AB = adjustment range of a post 200, 300 or 400.
For more detailed information please refer to "Dimensions and configuration options"
- B = support post without manual adjustment option
- C = support post with manual adjustment option

- D = height adjustment at the base of both of the front support posts during installation approximately 100 mm
- 76833. = footplate cover post
- KH = winch handle socket
- MA = **order dimension** = awning fixture width = fixture width
- SH = **order dimension** = support post height, standard height 2500 mm (special heights on request)
dimensions in mm

Footplate cover



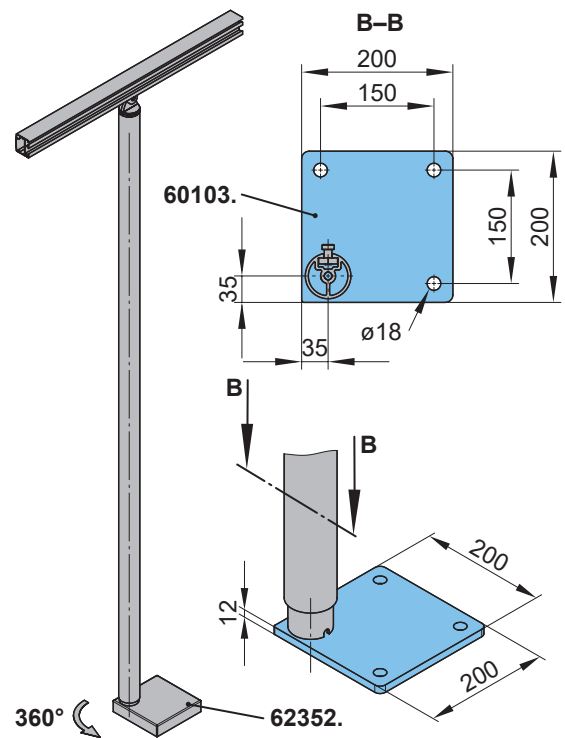
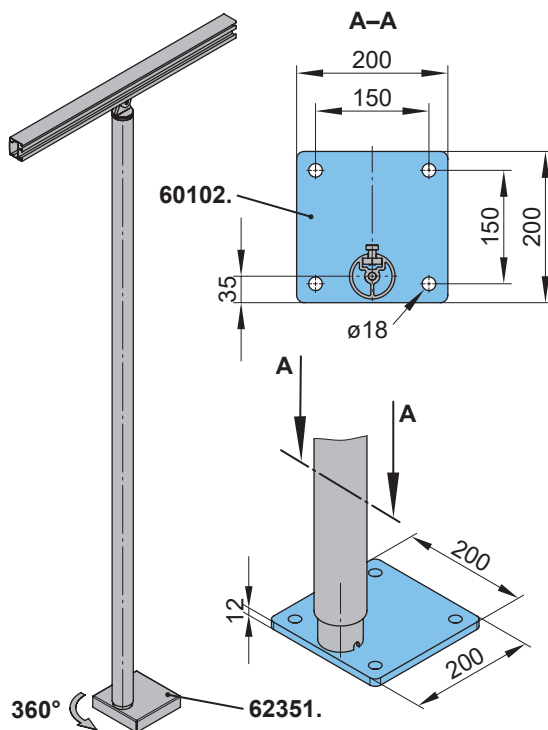
dimensions in mm

Post with an optional footplate

(Example: left-hand post)

Footplate for post position sideways in the middle

Footplate for post position in the corner



- 76833. = standard footplate cover post
- 60102. = footplate post position sideways in the middle
- 60103. = footplate post position in the corner
- 62351. = footplate cover post position sideways in the middle
- 62352. = footplate cover post position in the corner

Dimensions in mm

01
02
03
04
05
06
07
08
09
10
11
12
13

01 **Footplate cover for optional footplate**

02 Footplate cover for post position sideways in the middle

Footplate cover for post position in the corner

03

04

05

06

07

08

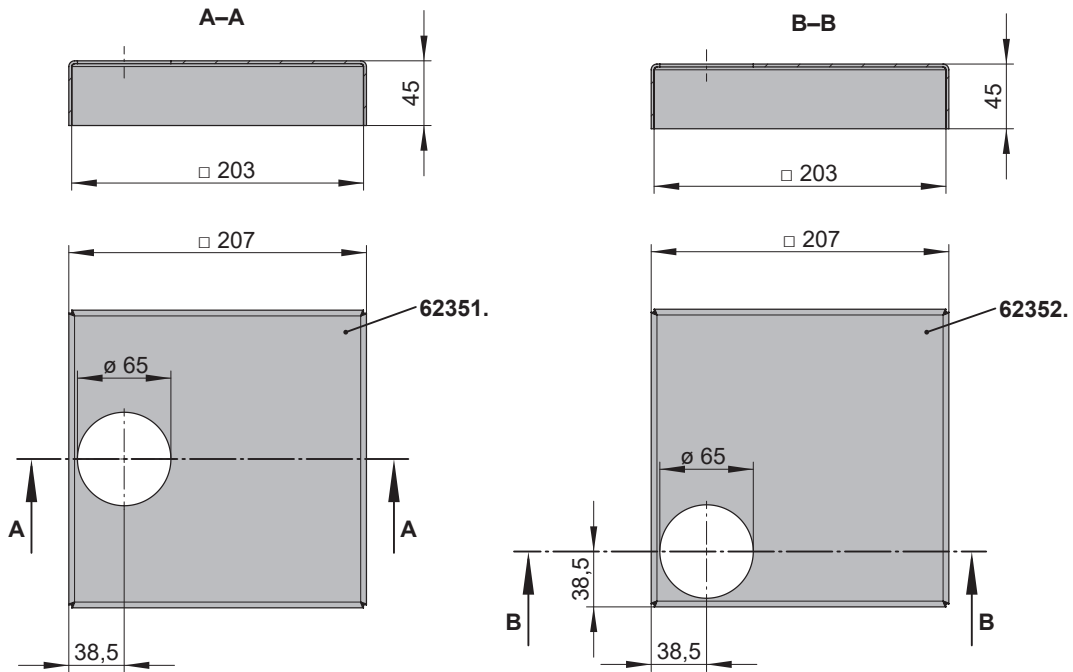
09

10

11

12

13



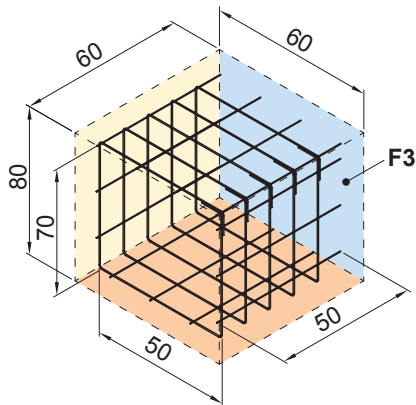
Dimensions in mm

Concrete foundations

To be supplied on site:

Concrete foundations in compressive strength C25/30 (previously B25) with reinforcing mesh cage made of 6 pcs steel rebar \varnothing 6 mm.

F3



The footplates F3 are to be fitted to the concrete footings using Fischer marine-grade stainless steel anchor bolts FAZ 10/30 aus A4 and washers certified to DIN 9021 (or equivalent).

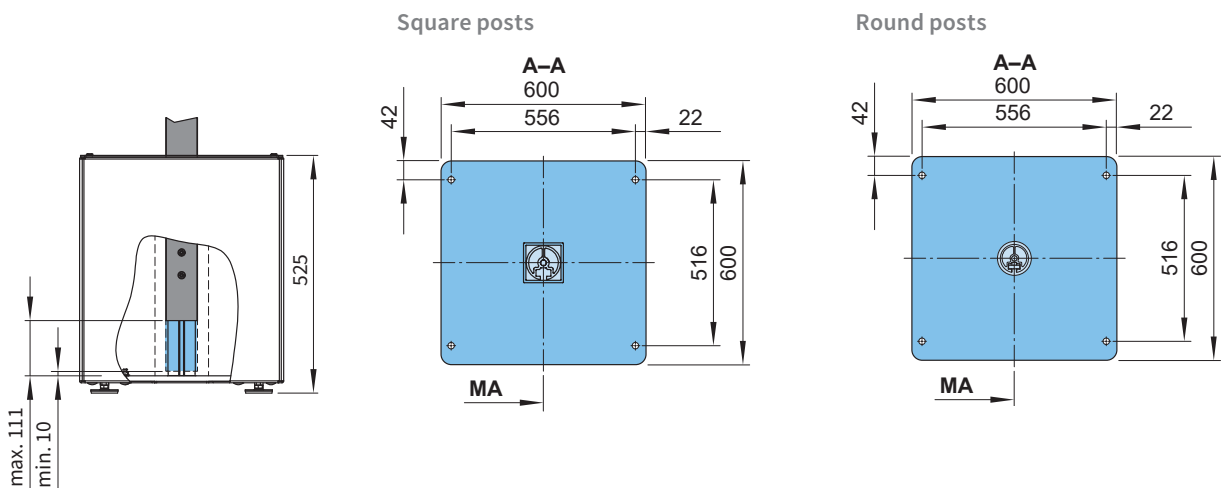
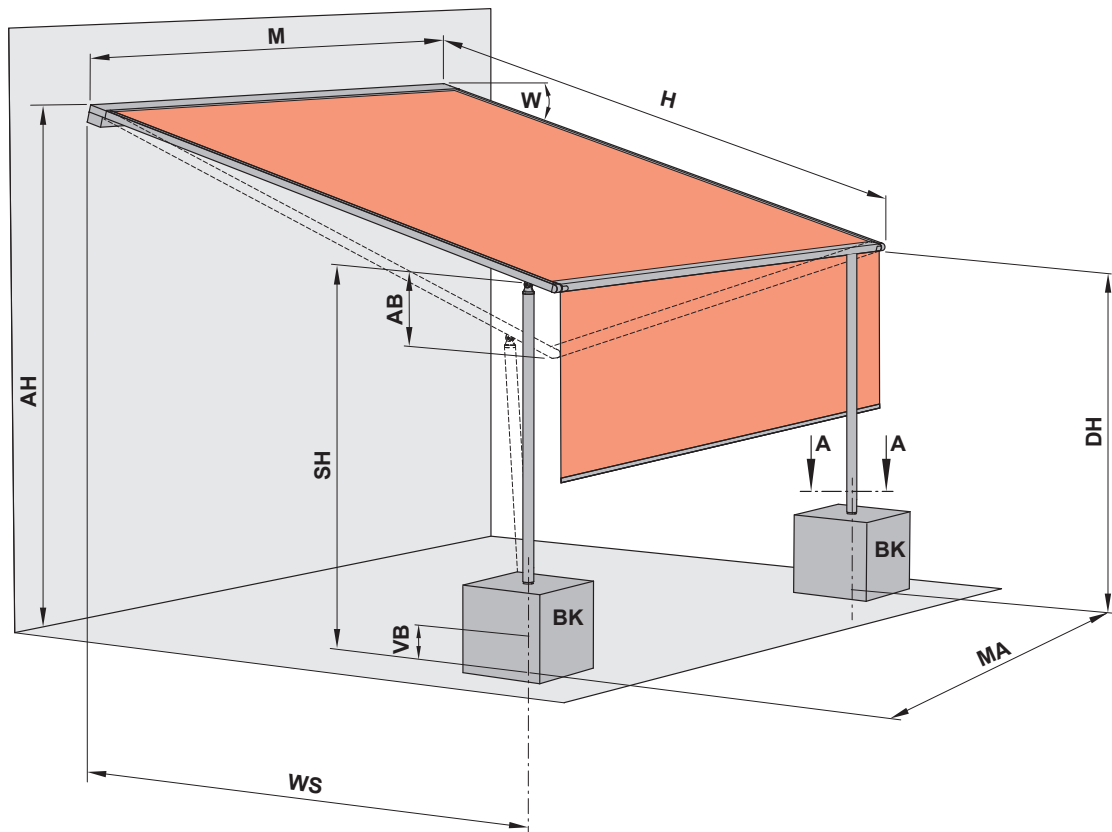
62351. = footplate cover post position sideways in the middle

62352. = footplate cover post position in the corner

dimensions in cm

Overview of dimensions

Posts with stabilisation boxes



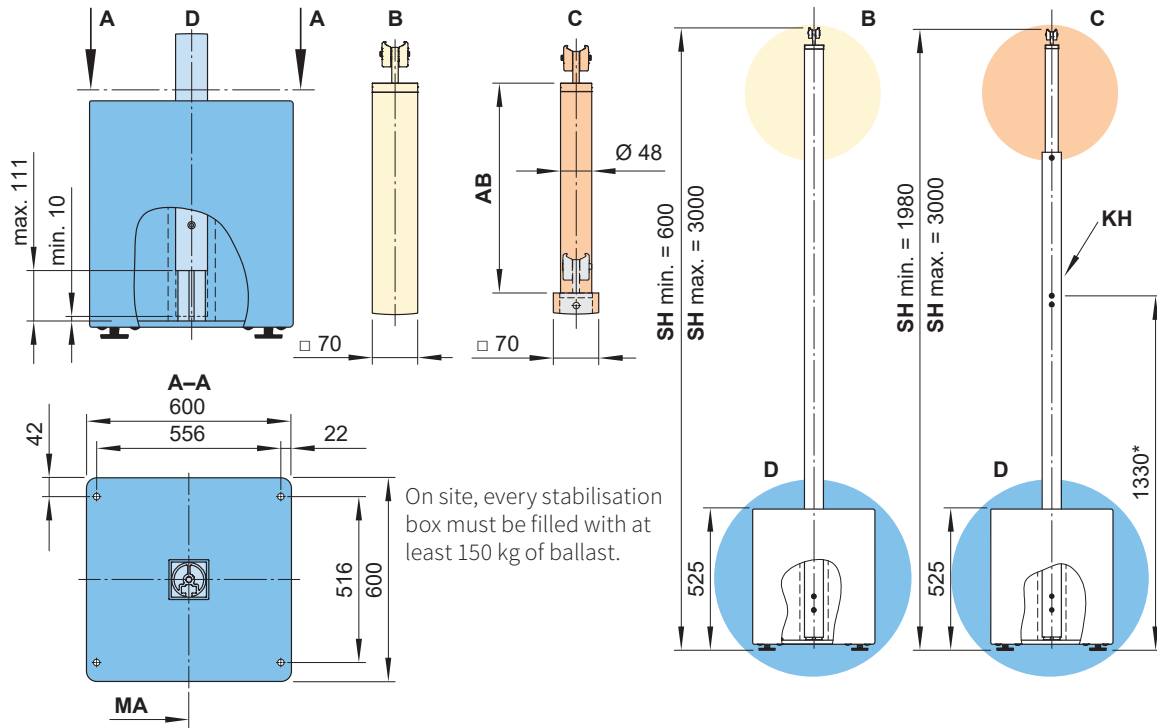
On site, every stabilisation box must be filled with at least 150 kg of ballast.

- | | | | |
|-----------|--|-----------|--|
| AB | = telescopic range of a post 200 mm or 300 mm, optionally on the left / right, see "Dimensions and configuration option" | MA | = order dimension = awning fixture width = fixture width |
| AH | = fixture height | SH | = order dimension = post height (bespoke heights on request, see "Post dimensions") |
| BK | = stabilisation box | VB | = height adjustment at the base of both the front support posts during installation approx. 100 mm |
| DH | = headroom | W | = pitch setting = 5°-35° |
| H | = order dimension = extension | WS | = distance from wall ↔ support post centre |
| M | = overall blind width = MA + 54 mm | | |
- dimensions in mm

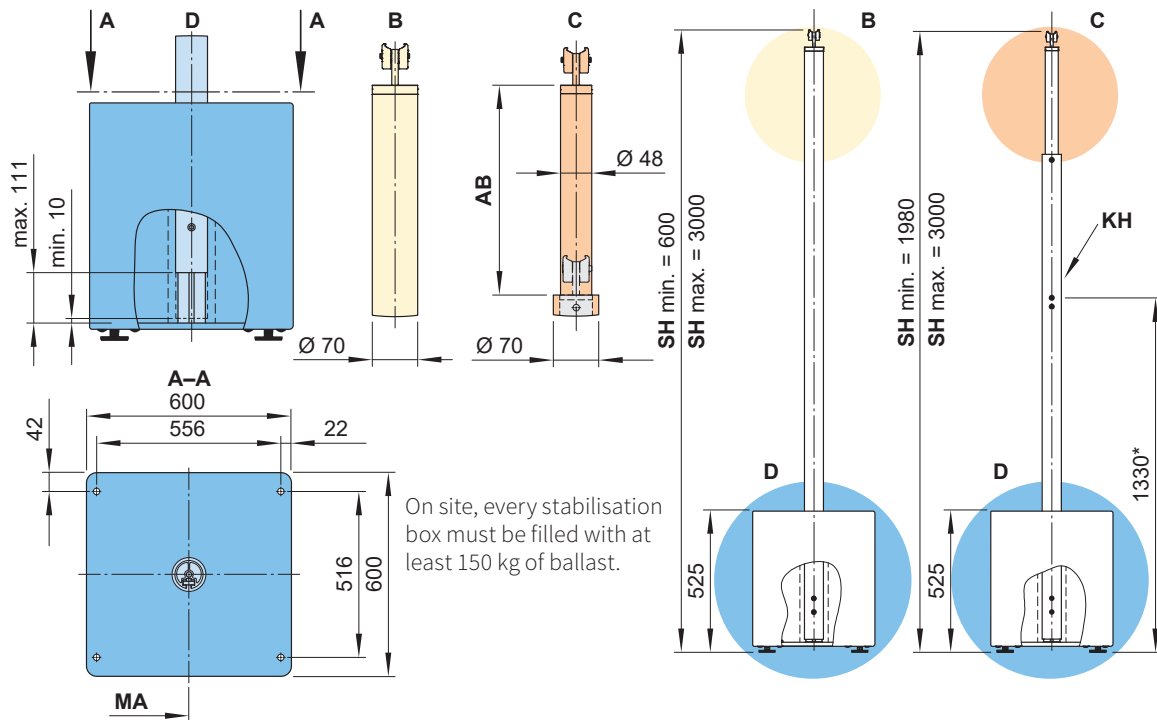
01
02
03
04
05
06
07
08
09
10
11
12
13

Post dimensions

Square support post with stabilisation box (not adjustable / adjustable)



Round support post with stabilisation box (not adjustable / adjustable)

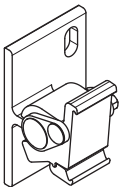


- * = dimensions at the standard height
- AB** = adjustment range of a post 200, 300 or 400.
For more detailed information please refer to "Dimensions and configuration options"
- B** = support post without manual adjustment option
- C** = support post with manual adjustment option
- D** = height adjustment at the base of both of the front support posts during installation approx. 100 mm
- KH** = winch handle socket
- MA** = **order dimension** = blind fixture width = fixture width
- SH** = **order dimension** = support post height, standard height 2500 mm (special heights on request)

dimensions in mm

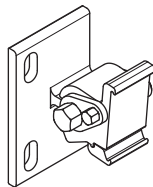
Fixtures, fittings and accessories

01
02
03
04
05
06
07
08
09
10
11
12
13



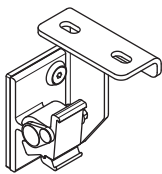
face fixture cassette bracket, left
pitch adjustment range 5°–35°

71153.



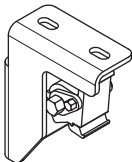
face fixture cassette bracket, right
pitch adjustment range 5°–35°

71154.



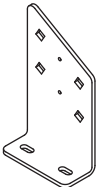
top fixture bracket cassette, left
pitch adjustment range 5°–35°

71157.



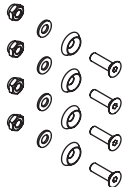
top fixture bracket cassette, right
pitch adjustment range 5°–35°

71158.



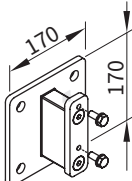
eaves fixture bracket

77010.



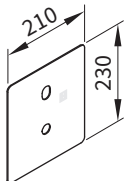
accessories for two eaves fixture brackets 77010.

767281



stand-off bracket for face-fixture bracket 71153. und 71154.
length min. 80 mm up to max. 300 mm
incl. insulating element

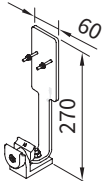
77956.



cover plate for installation with stand-off bracket 77956. in the case of external insulation

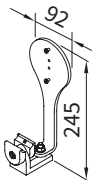
210 × 230 mm

71844.



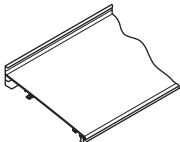
fixture bracket for light and / or wind and/or rain sensor

76050.



bracket for sun and/or wind sensor io

76723.



wall sealing profile incl. brush seal
by the metre

76385. and 704241.



side cover wall sealing profile
left and right

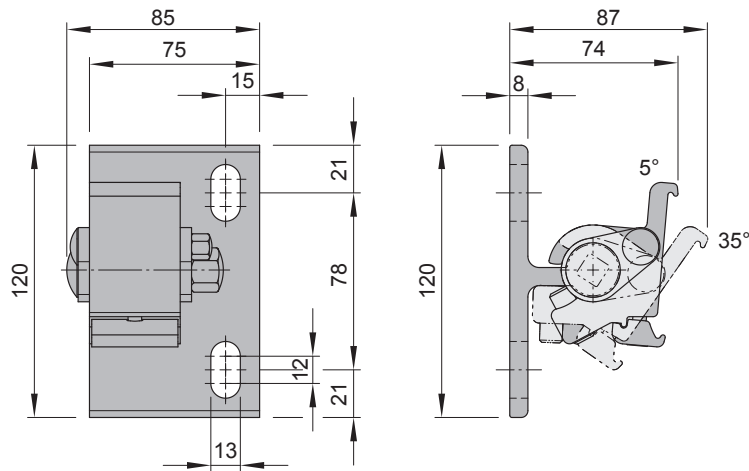
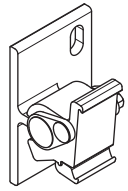
60919. and 60920.

dimensions in mm

01
02
03
04
05
06
07
08
09
10
11
12
13

Face fixture

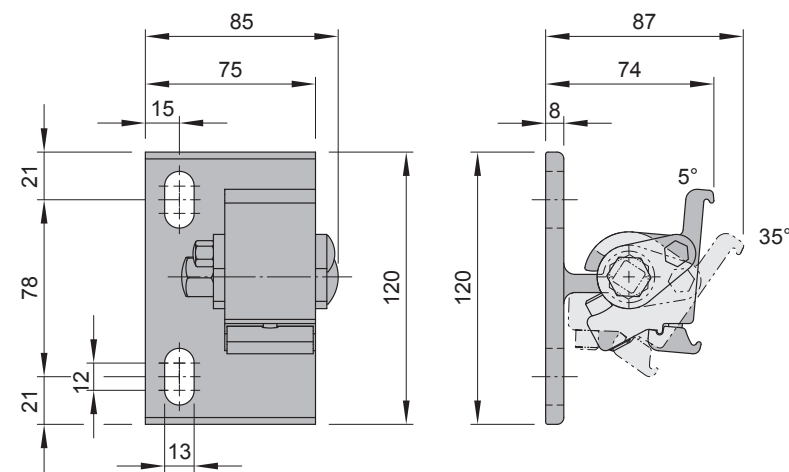
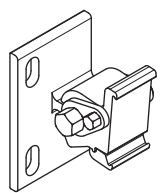
Face fixture cassette bracket, left

face fixture cassette bracket, left
pitch adjustment range 5°—35°

71153.

Face fixture cassette bracket, right

face fixture cassette bracket, right
pitch adjustment range 5°—35°

71154.

Face fixture using stand-off brackets

A—A
min. 80
max. 300

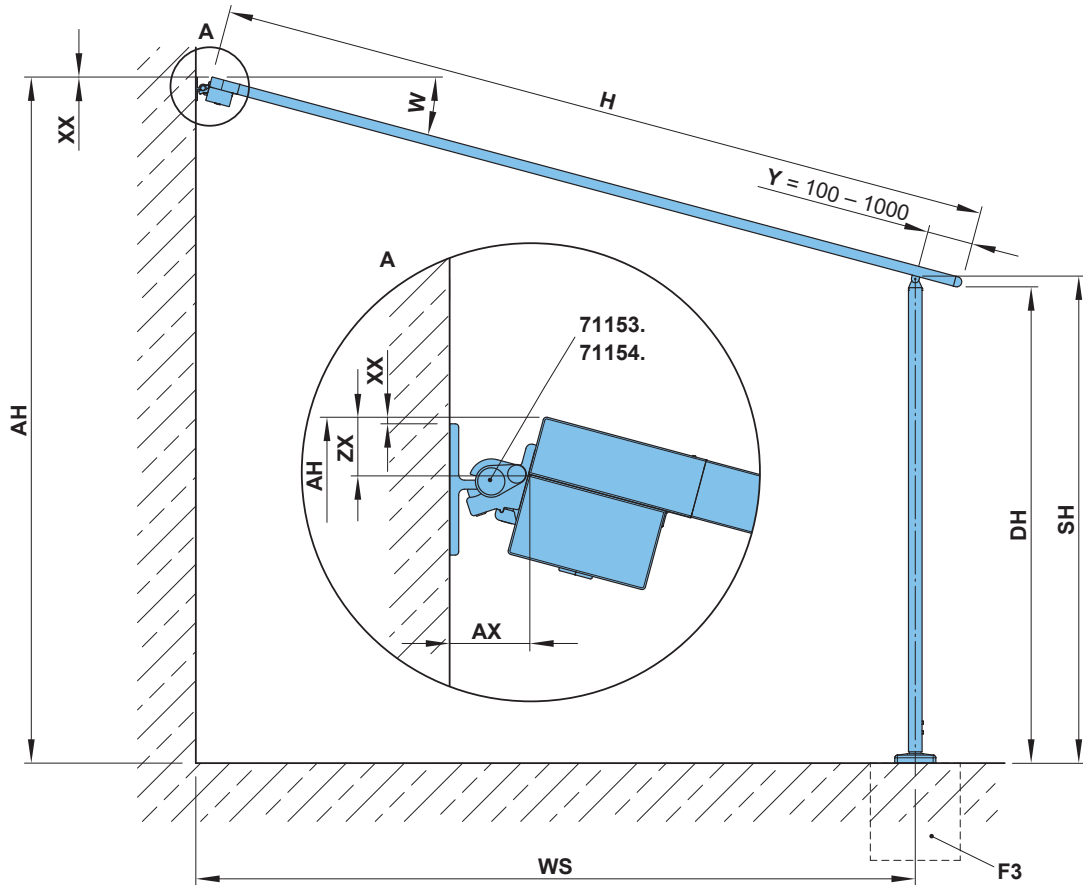
stand-off bracket for face-fixture bracket 71153. und 71154.
length min. 80 mm up to max. 300 mm
incl. insulating element

77956.

dimensions in mm

Face fixture

Dimension overview support post with footplate



| W | AX | XX | ZX |
|-----|----|-----|-----|
| 5° | 62 | 9 | 64 |
| 10° | 57 | 6 | 74 |
| 15° | 52 | -2 | 84 |
| 20° | 46 | -3 | 93 |
| 25° | 41 | -8 | 101 |
| 30° | 35 | -13 | 109 |
| 35° | 30 | -18 | 115 |

- 71153. = face fixture cassette bracket, left
- 71154. = face fixture cassette bracket, right
- AH = fixture height = SH + ZX + sin W × (H - Y)
- AX = distance from wall ↔ cassette (see table)
- DH = headroom = SH - sin W × Y
- F3 = concrete footing
- H = order dimension = extension
- SH = order dimension = post height = AH - ZX - sin W × (H - Y)
- W = pitch (measured from the horizontal)
- WS = distance from wall ↔ support post centre = cos W × (H - Y) + AX
- Y = order dimension = distance from post centre to leading edge of front profile. Dimensions: min. 100 bis max. 1000 mm (standard)
- XX = distance from the top edge of the fixture bracket to the top edge of the cassette (see table)
- ZX = distance upper edge cassette - bottom edge of guide track (see table)

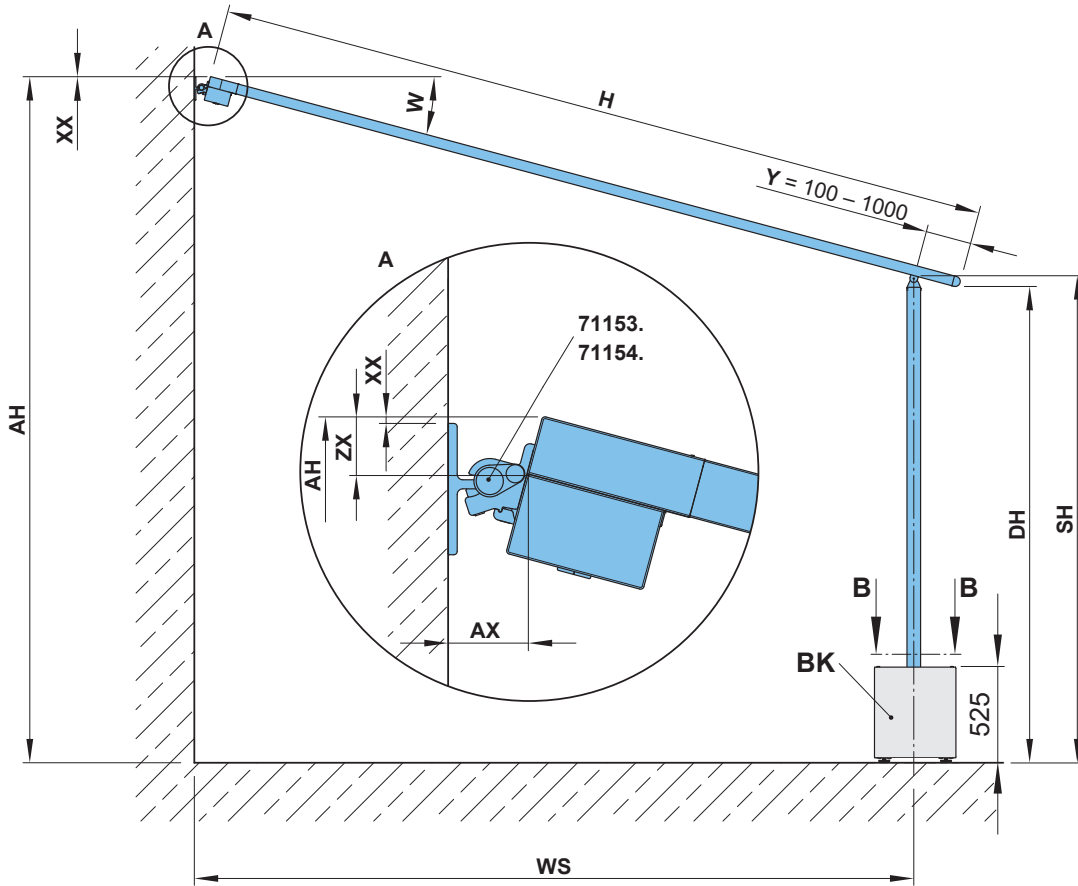
dimensions in mm

01
02
03
04
05
06
07
08
09
10
11
12
13

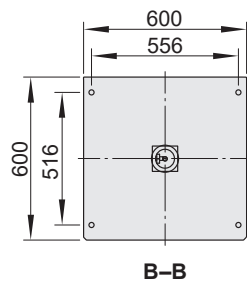
01 **Face fixture**

02 Dimension overview support post with stabilisation box

03



On site, every stabilisation box must be filled with at least 150 kg of ballast.



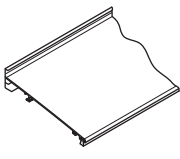
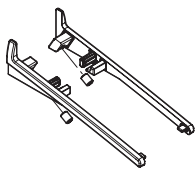
| W | AX | XX | ZX |
|-----|----|-----|-----|
| 5° | 62 | 9 | 64 |
| 10° | 57 | 6 | 74 |
| 15° | 52 | -2 | 84 |
| 20° | 46 | -3 | 93 |
| 25° | 41 | -8 | 101 |
| 30° | 35 | -13 | 109 |
| 35° | 30 | -18 | 115 |

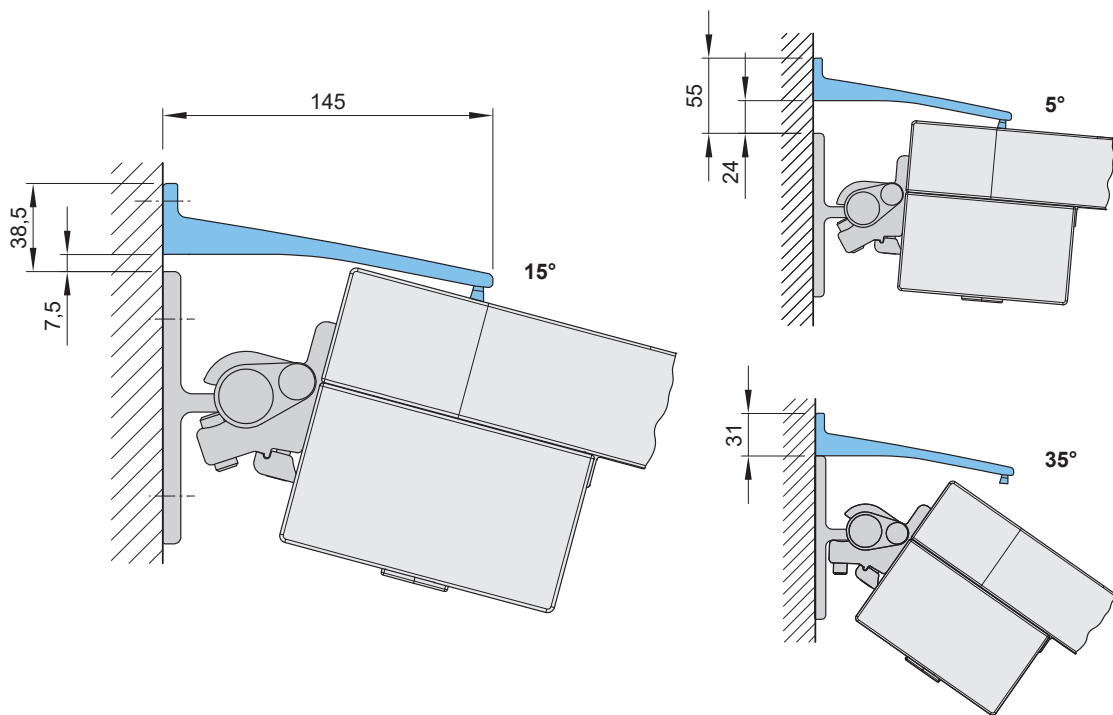
- 71153. = face fixture bracket cassette, pitch adjustment 5°-35°, left
- 71154. = face fixture bracket cassette, pitch adjustment 5°-35°, right
- AH = headroom = $SH + ZX + \sin W \times (H - Y)$
- AX = distance from wall \leftrightarrow cassette (see table)
- BK = stabilisation box
- DH = headroom = $SH - \sin W \times Y$
- H = **order dimension** = extension
- SH = **order dimension** = post height = $AH - ZX - \sin W \times (H - Y)$
- W = pitch (measured from the horizontal)
- WS = distance from wall \leftrightarrow support post centre = $\cos W \times (H - Y) + AX$
- Y = **order dimension** = distance from post centre to leading edge of front profile. Dimensions: min. 100 bis max. 1000 mm (standard)
- XX = distance from the top edge of the fixture bracket to the top edge of the cassette (see table)
- ZX = distance upper edge cassette - bottom edge of guide track (see table)

dimensions in mm

Dimension overview with wall sealing profile

Face fixture, various pitch positions

| | |
|--|---|
|  <p>wall sealing profile incl. brush seal by the metre</p> <p>76385. and 704241.</p> |  <p>side cover wall sealing profile left and right</p> <p>60919. and 60920.</p> |
|--|---|



76385. = wall sealing profile (standard width = awning fixture width (MA) + 46 mm)

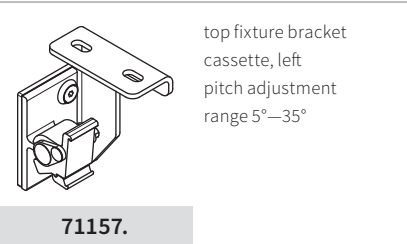
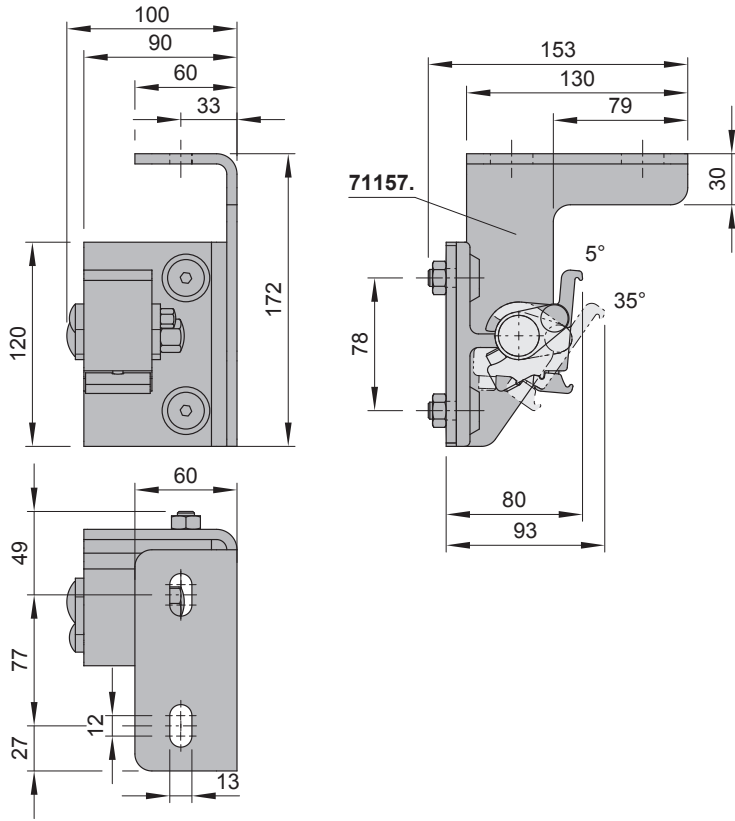
dimensions in mm

01
02
03
04
05
06
07
08
09
10
11
12
13

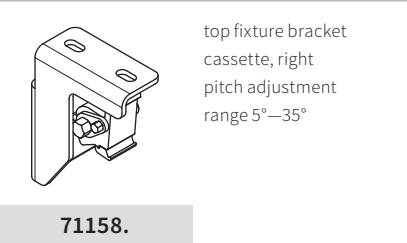
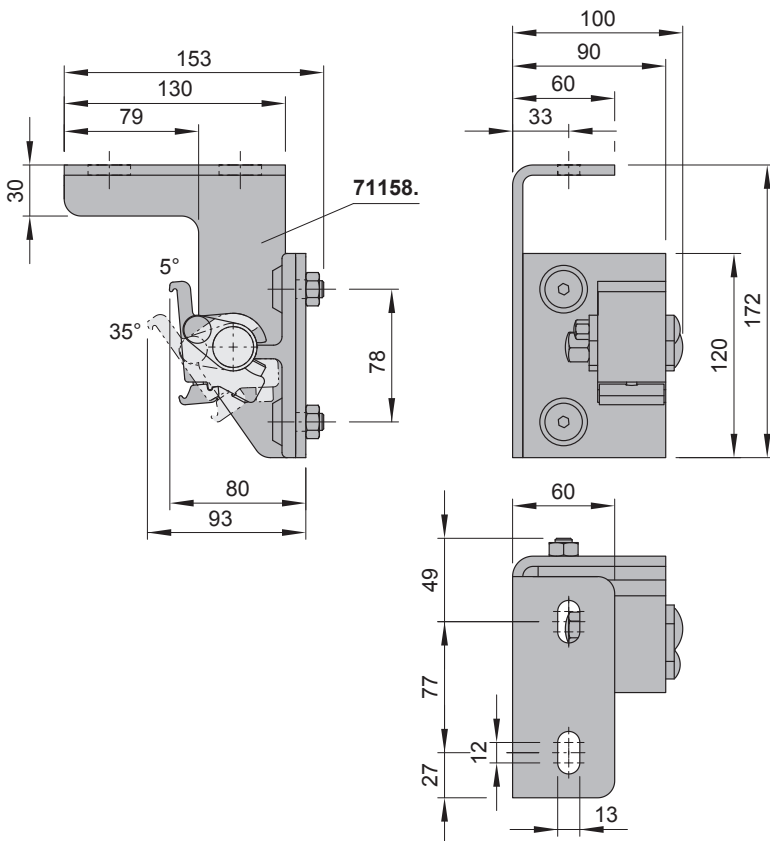
01
02
03
04
05
06
07
08
09
10
11
12
13

Top fixture

Top fixture bracket cassette, left



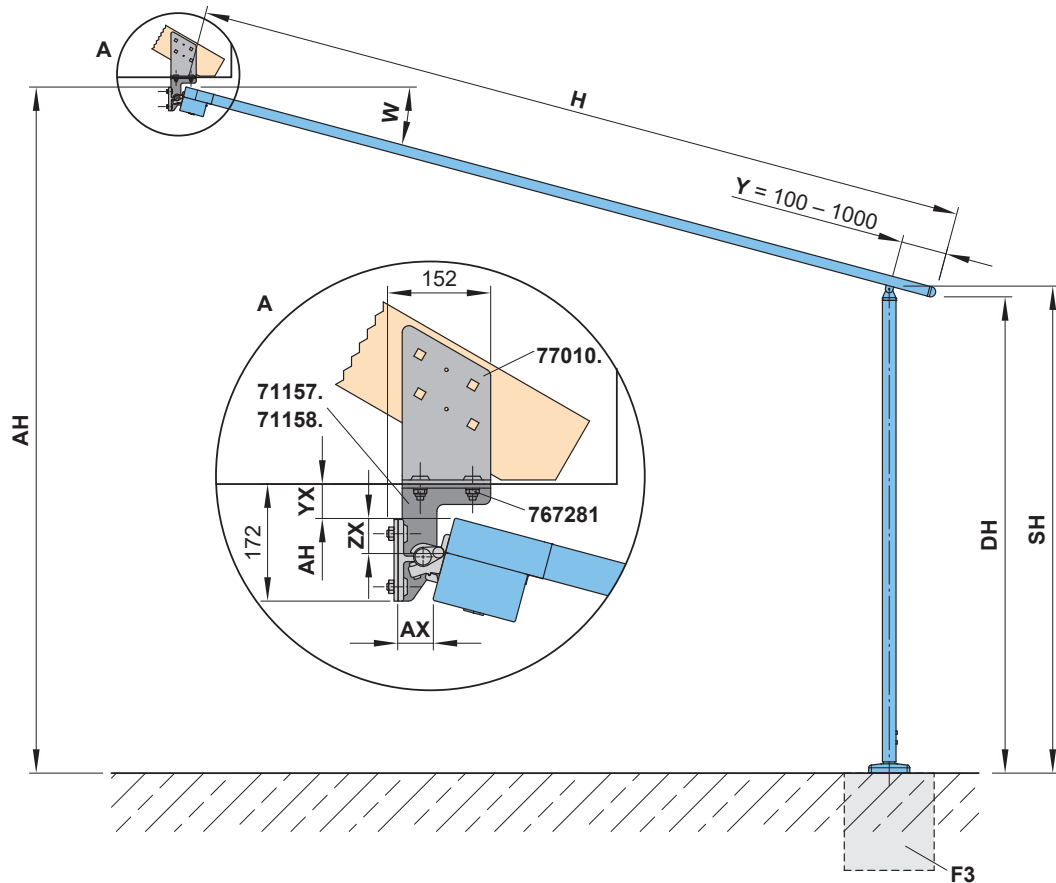
Top fixture bracket cassette, right



dimensions in mm

Top and eaves fixture

Dimension overview support post with footplate



| W | AX | YX | ZX |
|-----|----|----|-----|
| 5° | 62 | 40 | 64 |
| 10° | 57 | 43 | 74 |
| 15° | 52 | 51 | 84 |
| 20° | 46 | 52 | 93 |
| 25° | 41 | 57 | 101 |
| 30° | 35 | 62 | 109 |
| 35° | 30 | 67 | 115 |

767281 = accessories for two eaves fixture brackets (**77010**.)

77010 = eaves fixture bracket

71157 = top fixture bracket cassette, pitch adjustment 5°–35°, left

71158 = top fixture bracket cassette, pitch adjustment 5°–35°, right

AH = headroom = $SH + ZX + \sin W \times (H - Y)$

AX = distance from wall \leftrightarrow cassette (see table)

DH = headroom = $SH - \sin W \times Y$

F3 = concrete footing

H = **order dimension** = projection

SH = **order dimension** = support post height, standard height 2500 mm; (special heights on request) = $AH - ZX - \sin W \times (H - Y)$

W = pitch (measured from the horizontal)

Y = **order dimension** = distance from post centre to leading edge of front profile. Dimensions: min. 100 bis max. 1000 mm (standard)

AX = distance from wall \leftrightarrow cassette (see table)

ZX = distance upper edge cassette \leftrightarrow bottom edge of guide track

Dimensions in mm

01
02
03
04
05
06
07
08
09
10
11
12
13

Eaves fixture

Eaves fixture bracket (left, by way of example)

eaves fixture bracket

77010.

top fixture bracket cassette, left
pitch adjustment range 5°—35°

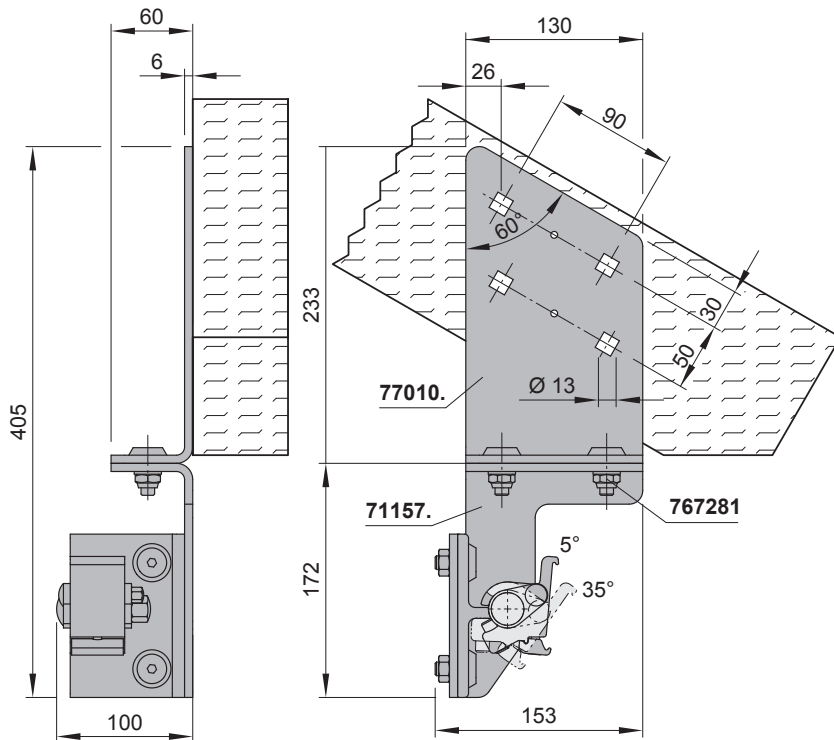
71157.

top fixture bracket cassette, right
pitch adjustment range 5°—35°

71158.

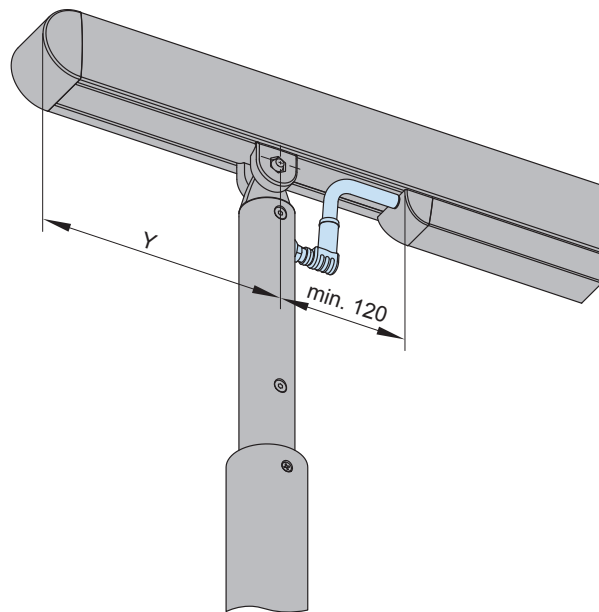
accessories for two eaves fixture brackets 77010.

767281



dimensions in mm

Telescopic, motor-driven post



- minimum post height: 1970 mm
- motor cable, black
- the LED-Line profiles are always fitted to all guide tracks of the markilux pergola to give a harmonious look
- the awning may only be retracted or extended if the front profile is horizontal, in other words, the post must not be in the lowered position
- the shadeplus (optional) may only be operated when the post is not in the lowered position. It may only be operated when the front profile is horizontal

Controls

| | standard | optional |
|---|----------|----------|
| hard-wired motor | ✓ | — |
| radio receiver Somfy Slim Plug io (8271254) | — | ✓ |
| radio receiver Universal Slim Receiver RTS Plug (8272148) | — | ✓ |

Technical details Hard-wired motor

| | |
|------------------|----------|
| power supply | 230 V AC |
| power output | 110 W |
| protection class | IP 44 |

Note: In the case of a motorised post, the difference in measurement from the end of the profile cable duct / LED-Line to end of extension = $Y + 120$ mm = depending on the Y value between 22 cm and 112 cm (in the case of the LED-Line and standard post, the difference in measurement is = $Y + 50$ mm = depending on the Y value between 15 cm and 105 cm, please also take a look at Dimension overview lighting options).

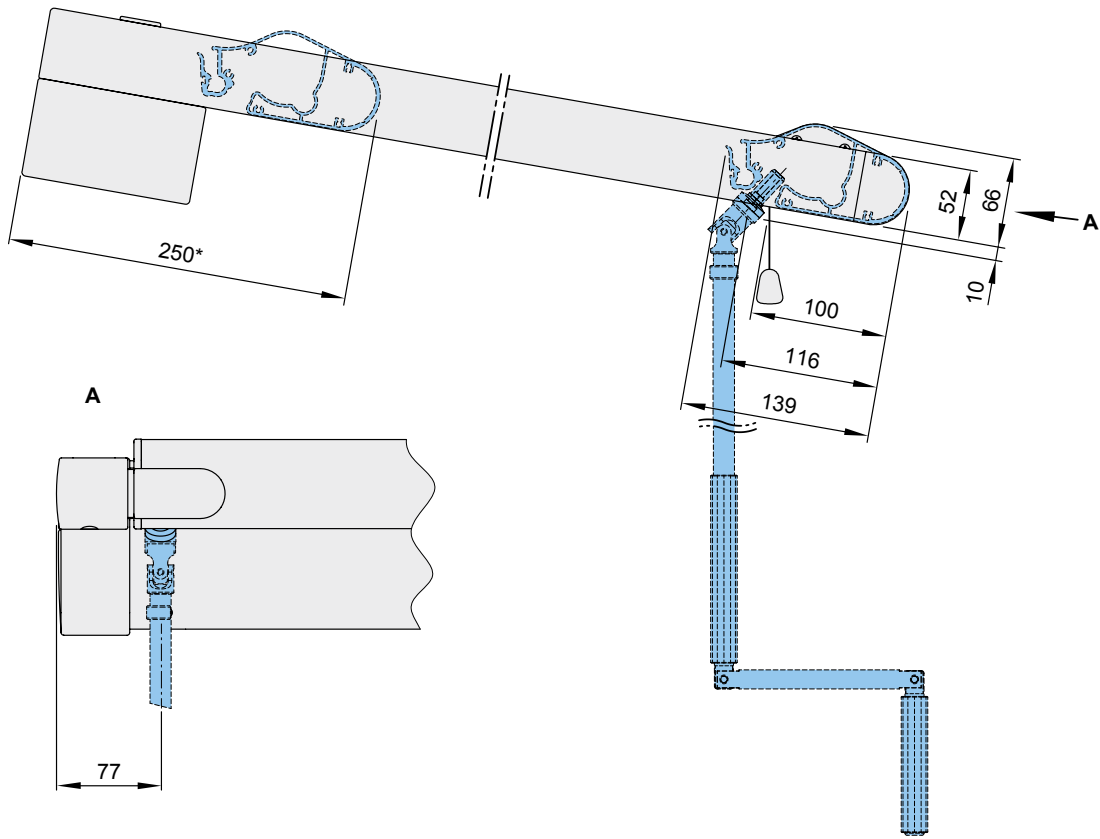
Y = **order dimension** = distance from post centre to leading edge of front profile.
Dimensions: min. 100 bis max. 1000 mm (standard)

dimensions in mm

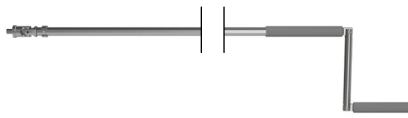
01
02
03
04
05
06
07
08
09
10
11
12
13

Dimension overview, shadeplus

Magnetic gearbox operation ¹⁾



markilux foldable crank handle

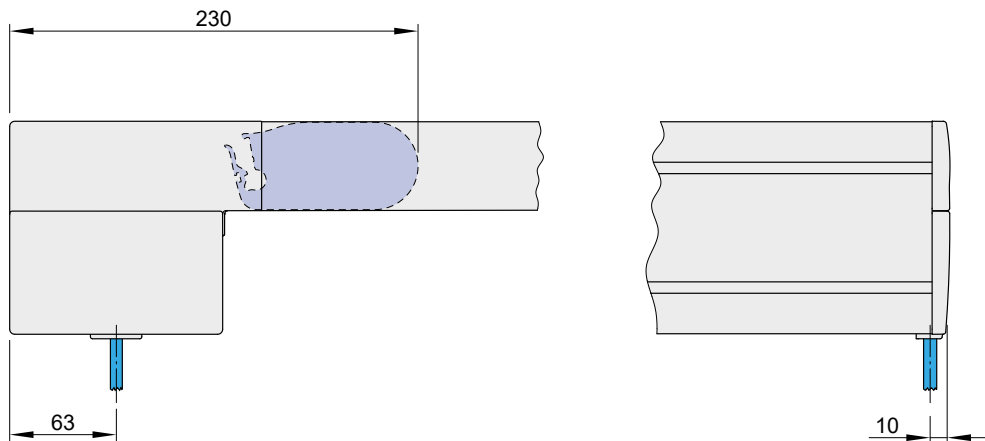


with magnetic gearbox attachment for manual operation of the drop valance
 Lengths: standard 120 cm, optional 160 cm, from 160 cm up to 280 cm on request
 Order no. **74271**.

* = extension when retracted

Please note! The shadeplus (optional) may only be operated when the post is not in the lowered position. It may only be operated when the front profile is horizontal.

Motor cable exit point ¹⁾

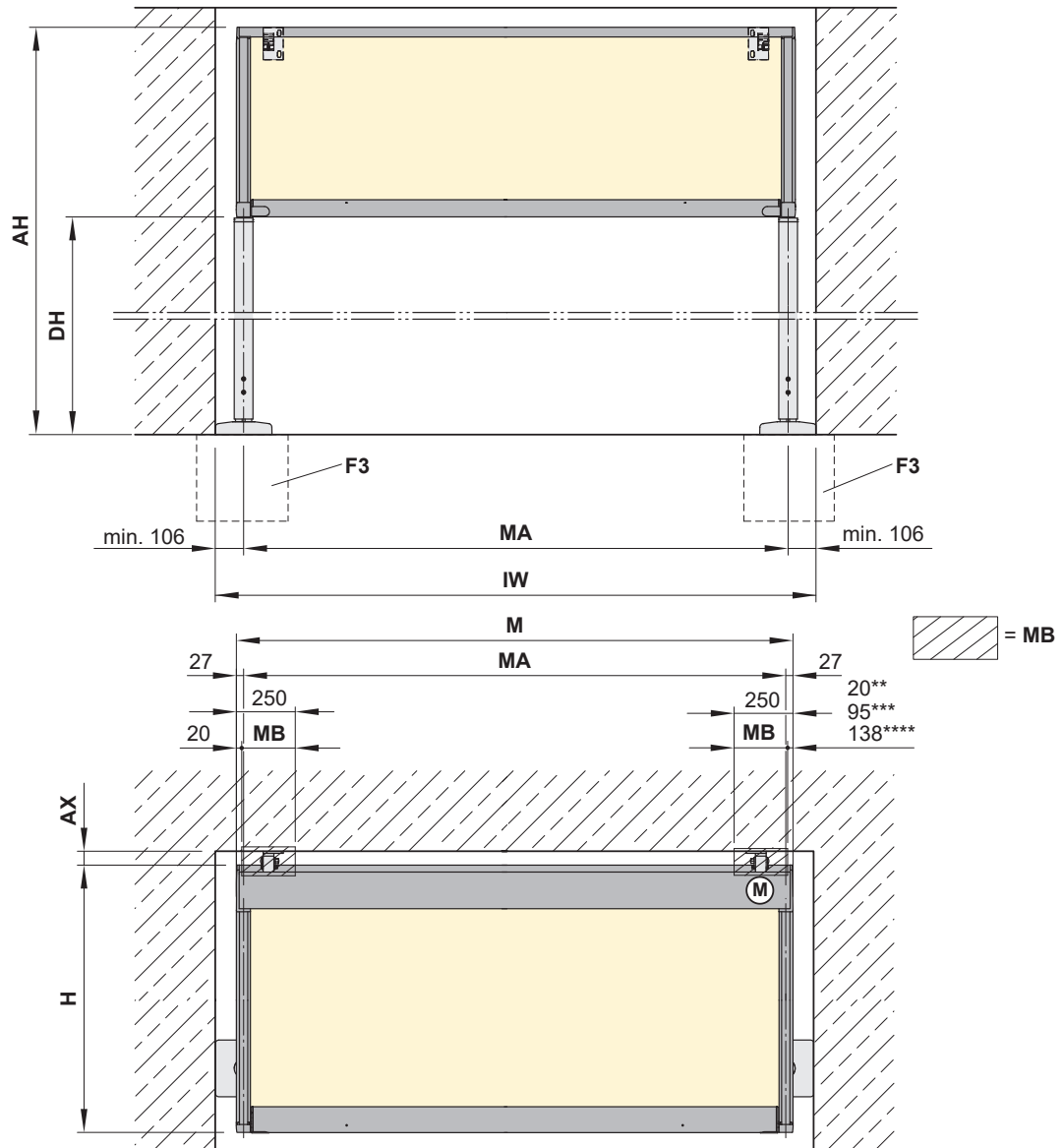


¹⁾ depending on the operation side, left or right

dimensions in mm

Overview of dimensions

Reveal fixture



N.B.! In the case of reveal fixture a distance of at least 106 mm must be left free on each side of the awning.

- ** = dimensions for bottom cable exit on motor side (optional)
- *** = dimensions in case of lighting
- **** = dimensions for cable duct in case of lighting
- AH = fixture height
- AX = distance from wall ↔ cassette
- DH = headroom
- F3 = concrete footing
- H = **order dimension** = extension
- M = overall blind width = MA + 54 mm
- (M) = operation side, motor drive, for an example right
- MA = **order dimension** = awning fixture width = fixture width
- MB = bracket fixture range
- IW = inside wall

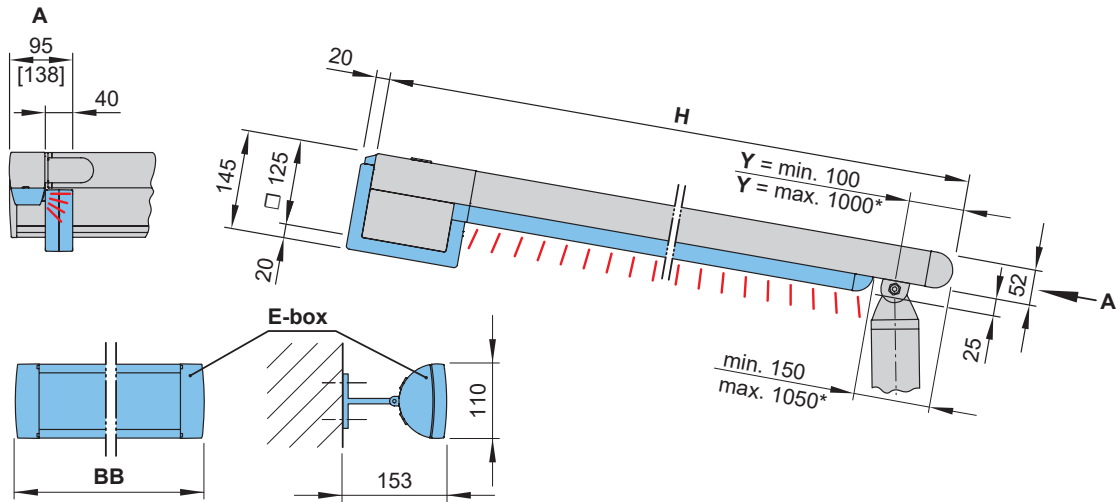
dimensions in mm

01
02
03
04
05
06
07
08
09
10
11
12
13

01 **Dimension overview with the various lighting options**

02 Option 1: LED-Line in the guide tracks, electronic components in an E-box

03



04

05

06

07

08

09

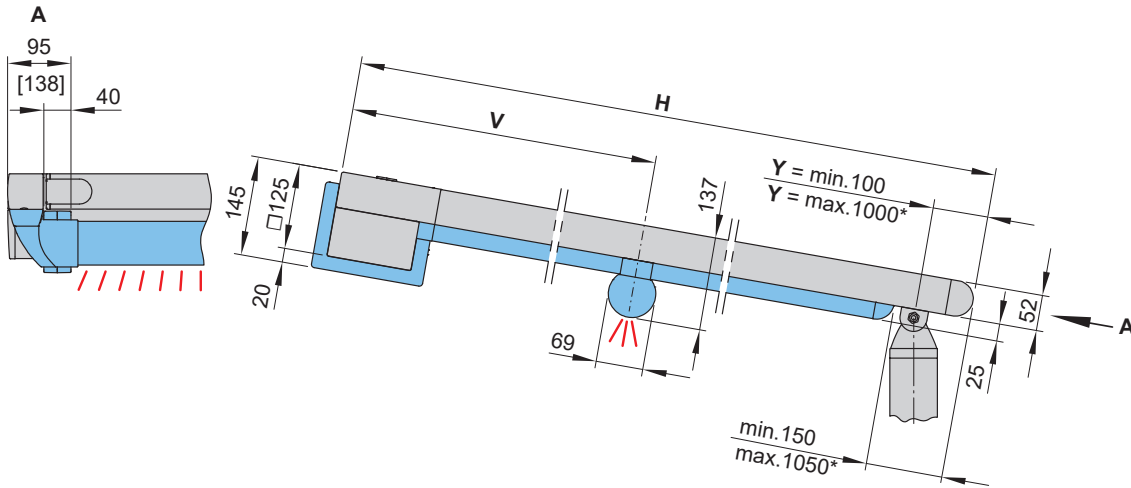
10

11

12

13

Option 2: LED-Line in the cover support tube, electronic components in the cover support tube

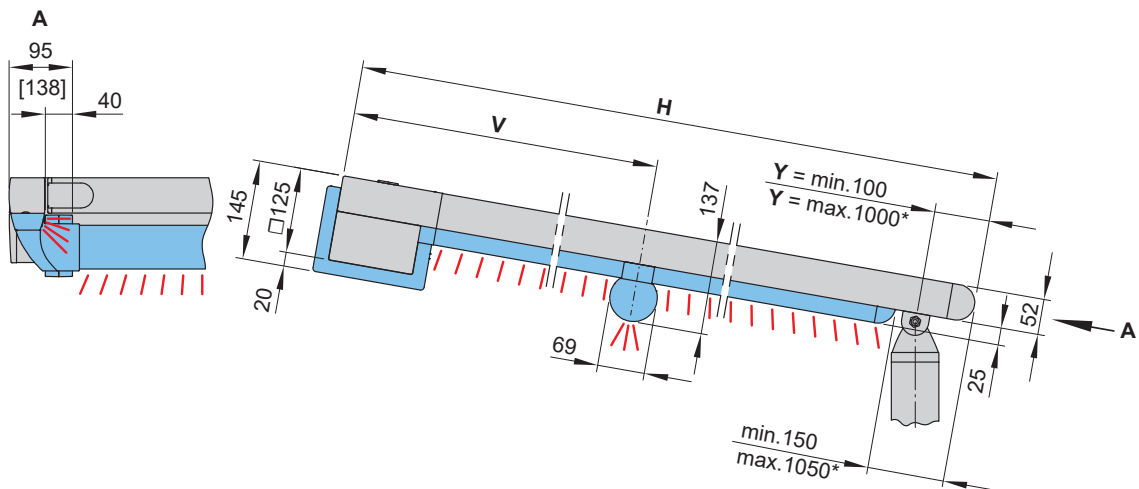


- * = standard dimension
- [...] = dimension in the case of lighting and shadeplus / drop valance
- BB = order width
- E-box = see "E-box"
- H = **order dimension** = extension
- T = indent dimension LED-Line
- V = distance from the rear of the cassette to the centre of the cover support tube.
Standard: centred ($V = H \div 2$) / optional: ($V \text{ min.} = 500 \text{ mm}$, $V \text{ max.} = H - 500 \text{ mm}$).
- Y = **order dimension** = distance from post centre to leading edge of front profile.
Dimensions: min. 100 bis max. 1000 mm (standard)

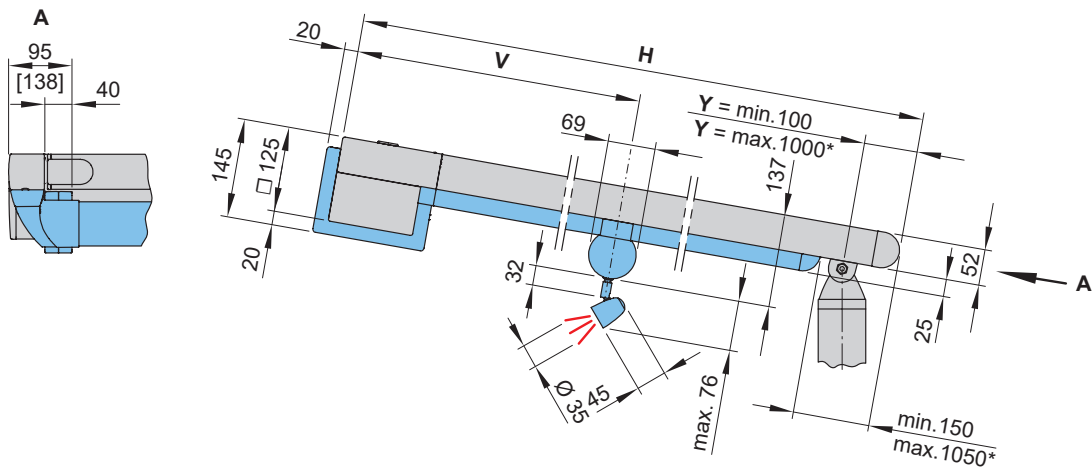
dimensions in mm

Dimension overview with the various lighting options

Option 3: LED-Line in the cover support tube and in the guide tracks, electronic components in the cover support tube



Option 4: LED-Spots in the cover support tube, electronic components in the cover support tube



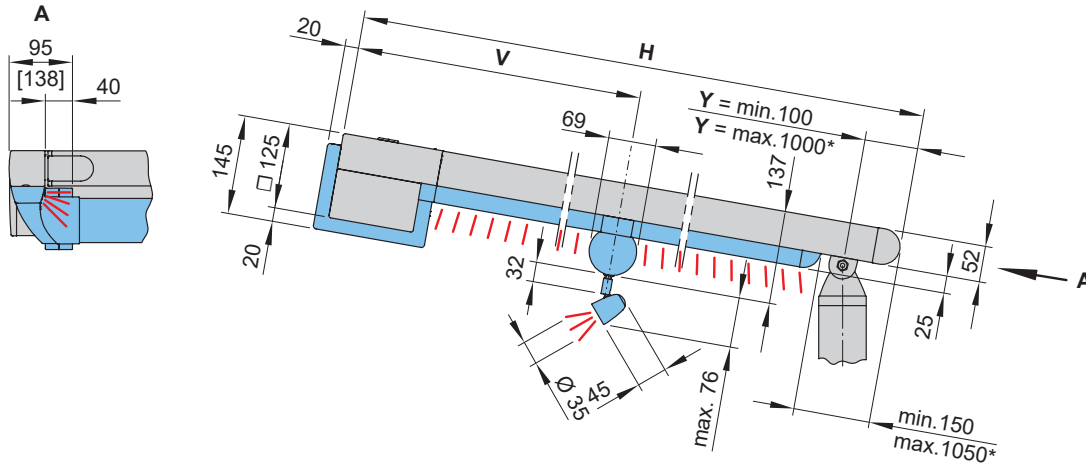
- * = standard dimension
- [...] = dimension in the case of lighting and shadeplus / drop valance
- H** = **order dimension** = extension
- T** = indent dimension LED-Line
- V** = distance from the rear of the cassette to the centre of the cover support tube.
Standard: centred ($V = H \div 2$) / optional: ($V \text{ min.} = 500 \text{ mm. } V \text{ max.} = H - 500 \text{ mm}$)
- Y** = **order dimension** = distance from post centre to leading edge of front profile.
Dimensions: min. 100 bis max. 1000 mm (standard)
- Z** = distance center of 1. to 2. support tube

dimensions in mm

01
02
03
04
05
06
07
08
09
10
11
12
13

Dimension overview with the various lighting options

Option 5: LED-Spots in the cover support tube and LED-Line in the guide tracks, electronic components in the cover support tube



* = standard dimension

[...] = dimension in the case of lighting and shadeplus / drop valance

H = **order dimension** = extension

T = indent dimension LED-Line

V = distance from the rear of the cassette to the centre of the cover support tube. In the case of 1 cover support tube, standard: centred ($V = H \div 2$) / optional: ($V \text{ min.} = 500 \text{ mm}$, $V \text{ max.} = H - 500 \text{ mm}$). In the case of 2 cover support tubes, ($V \text{ min.} = 500 \text{ mm}$, $V \text{ max.} = H - 2500 \text{ mm}$)

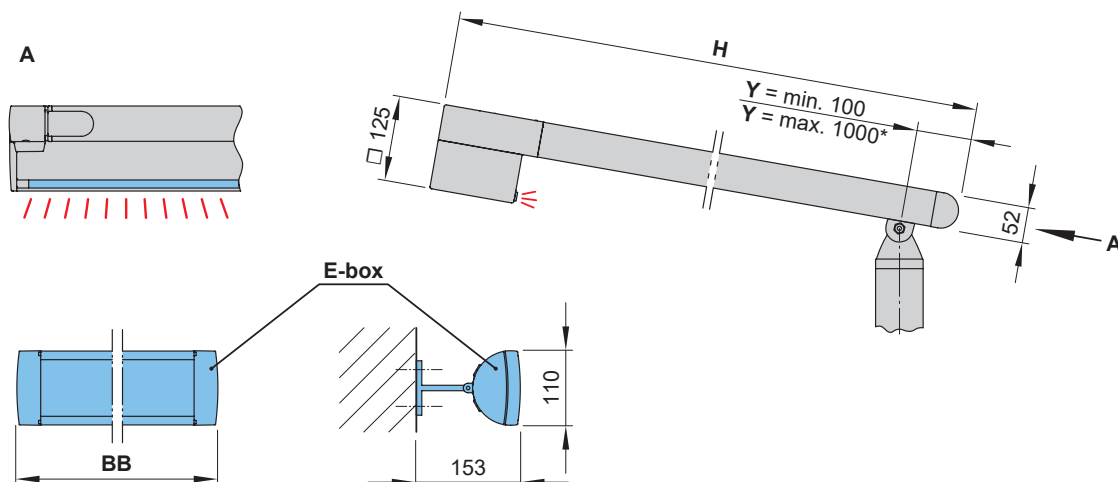
Y = **order dimension** = distance from post centre to leading edge of front profile. Dimensions: min. 100 bis max. 1000 mm (standard)

Z = distance center of 1. to 2. support tube

dimensions in mm

Dimension overview with the various lighting options

Option 6: LED-Line in the cassette (can be combined at will with options 1-5), electronic components in an E box or in the cover support tube



- * = standard dimension
- BB = order width
- E-box = see "E-box"
- H = **order dimension** = extension
- Y = **order dimension** = distance from post centre to leading edge of front profile.
Dimensions: min. 100 bis max. 1000 mm (standard)

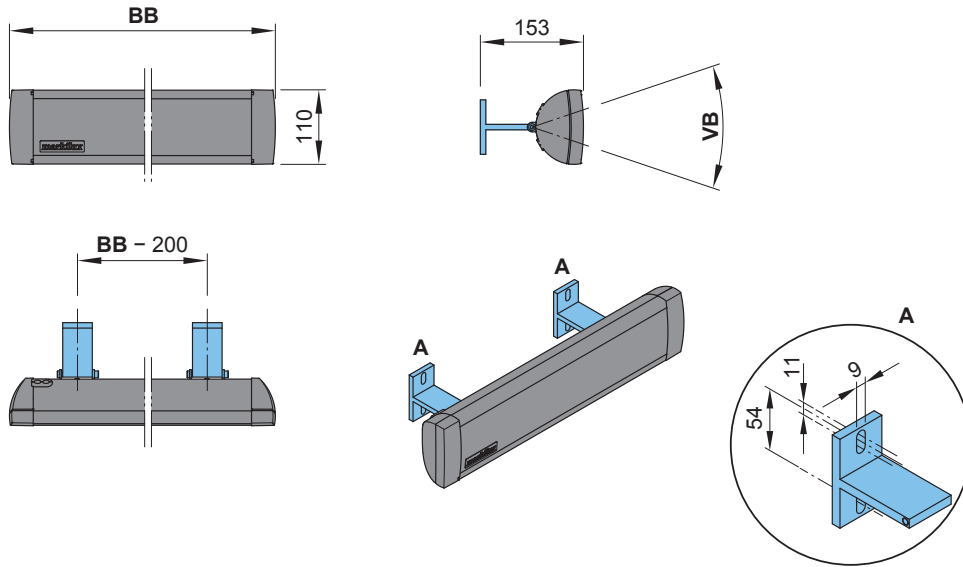
dimensions in mm

01
02
03
04
05
06
07
08
09
10
11
12
13

01
02
03
04
05
06
07
08
09
10
11
12
13

E-box

Overview of dimensions



Dimension overview and applications

Wireless technology

| | RTS 433 MHz | | 868 MHz io | |
|------------------|-------------|----------|------------|----------|
| Extension H [cm] | < 330 cm | ≥ 330 cm | < 330 cm | ≥ 330 cm |

Lighting options

| | | | |
|---|---|--|---|
| LED-Line attached to the guide tracks | E-box M 71850. BB = 500 mm | E-box G 71873. BB = 700 mm | E-box M 71850. BB = 500 mm |
| LED-Line recessed into the cassette | E-box M 71850. BB = 500 mm | | |
| LED-Line below the guide tracks or LED-Line recessed into the cassette | E-box G 71873. BB = 700 mm | E-box L 71874. BB = 1200 mm | |
| individual use | E-box I 71851. BB = to order | | |

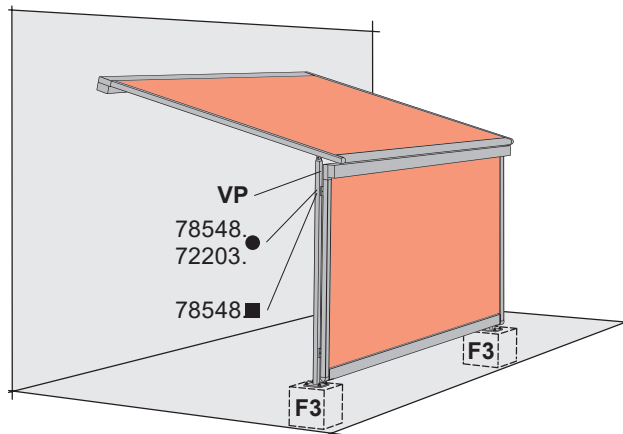
BB = order width
VB = adjustment range

dimensions in mm

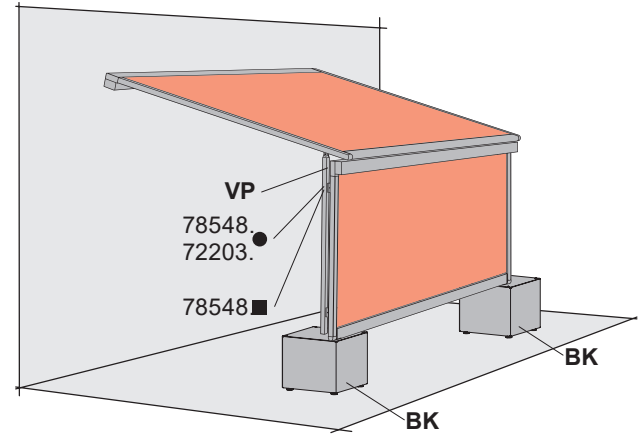
Combination options

Example with markilux 776 tracfix / 876 tracfix (optionally with panorama window)

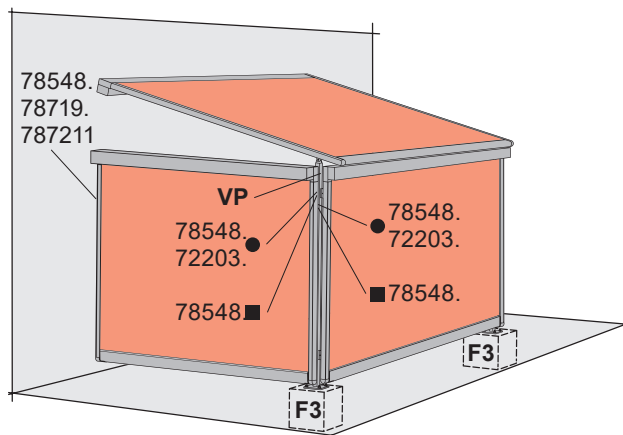
Vertical cassette blind at the front



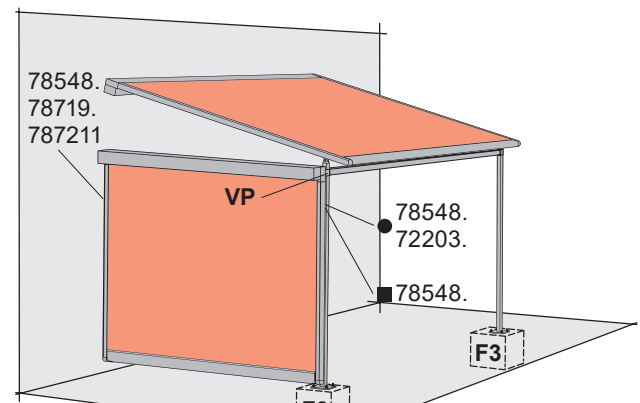
Vertical cassette blind at the front, support posts with stabilisation boxes



Installation of a vertical cassette blind both to the side



Installation of a vertical cassette blind at the side and obligatory cross member between support posts

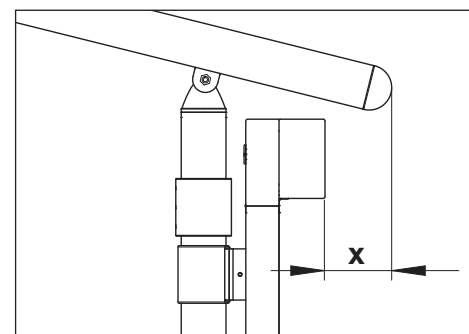


N.B! A vertical roller blind may only be installed at the side or the front if a stabilizing profile (VP) has been fitted. A front vertical cassette blind must always be mounted under the guide tracks (see fig. 1)

The combination of markilux pergola compact with vertical cassette blinds is only permitted if two fixed posts are used.

Combination Possibilities

- markilux 790 at the side (cover optionally with angled top edge)
- markilux 790 at the front between support posts
- markilux pergola compact fitted to the markilux syncra
- additional combinations may be possible on request.



Picture 1)

72203. = post fixture guide track (round post)

78548. = flat track bracket

78719. = additional angled bracket for the bearing, gearbox and motor sides

787211 = accessories for two angled brackets

BK = stabilisation boxes (600 × 600 × 525 mm)

F3 = concrete footing

VP = cross member

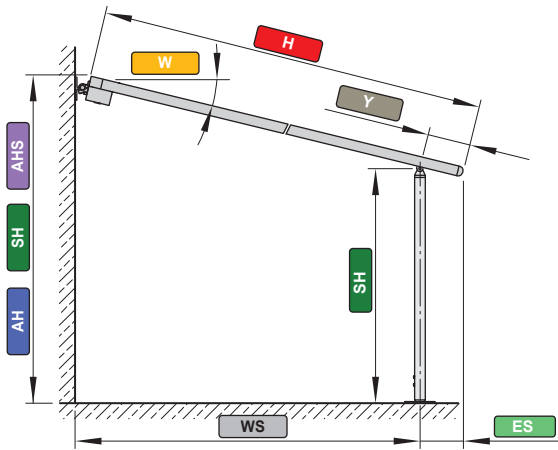
● = round post

■ = square post

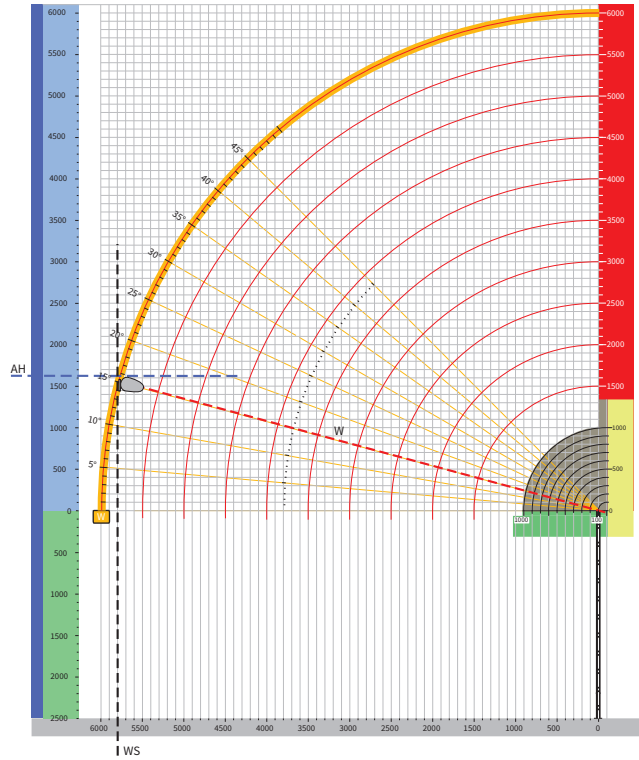
Calculation of the approximate fixture height, examples

Example 1: front support posts pushed as far forward as possible, $Y = 100 \text{ mm}$

03

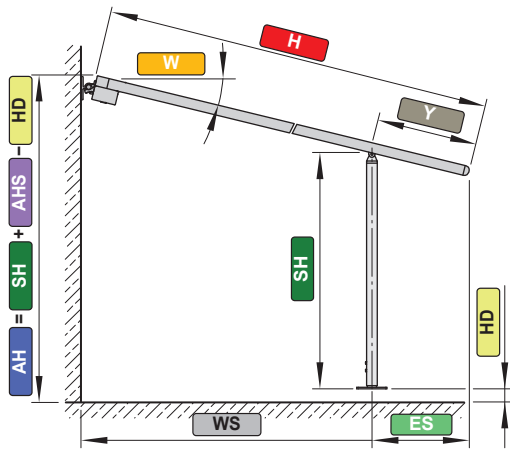


- ES = 100
- W = 15°
- H = 6000
- WS = 5800
- Y = 100
- SH = 2500
- AHS = 1620
- AH = SH + AHS = 2500 + 1620 = 4120

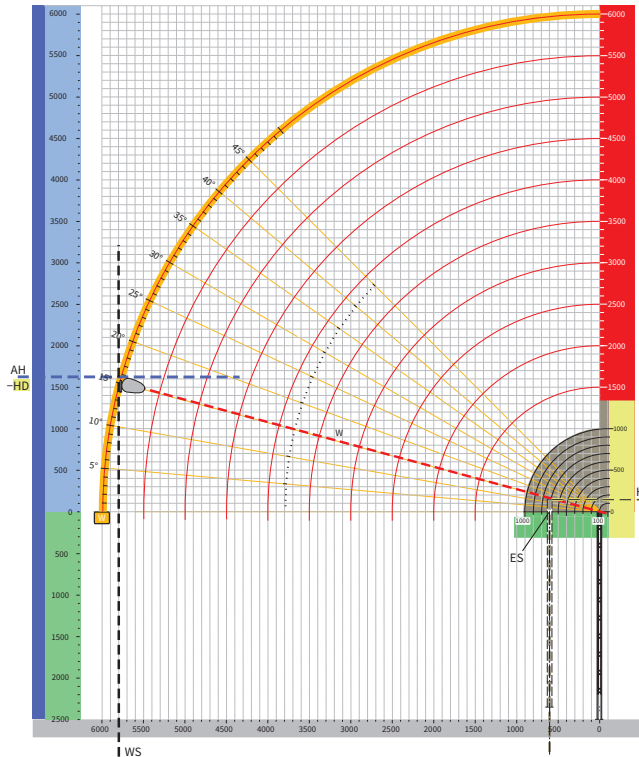


Example 2: front support posts pushed back, $100 \text{ mm} \leq Y \leq 1000 \text{ mm}$

13



- ES = 700
- W = 15°
- H = 6000
- WS = 5200
- Y = 700
- HD = 130
- SH = 2500
- AHS = 1620
- AH = SH + AHS - HD = 2500 + 1620 - 130 = 3990



- ES = centre of post to the leading edge of the front profile
- W = pitch
- H = extension

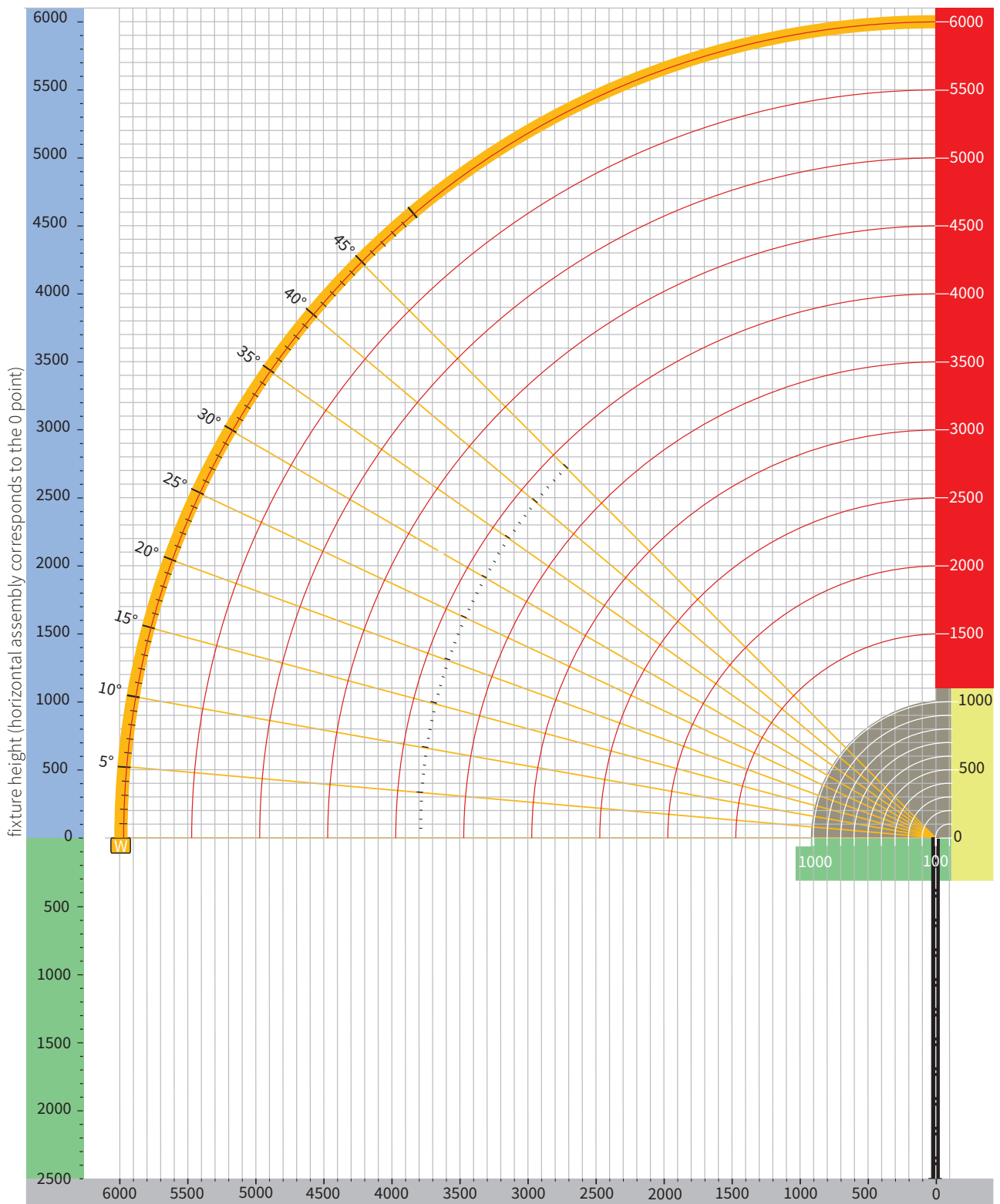
- WS = measurement from the wall to post
- Y = distance from post centre to leading edge of front profile
- HD = difference from the fixture height

- SH = support post height 2500 mm
- AHS = fixture height from the top edge of the post
- AH = installation height

dimensions in mm

Calculation of the approximate fixture height

Drawing template



N.B! An on-line tool to calculate the installation measurements can be found in the protected area of the website, pro.markilux.com.

dimensions in mm

01

02

03

04

05

06

07

08

09

10

11

12

13