



Underglass Awning

## markilux 779 / 779 tracfix

The perfect underglass awning for large areas. The angular frame design throughout emphasizes design emphasizes the lines of each and every glass canopy.



reddot design award  
winner 2017



[markilux.com](http://markilux.com)

0800 953 0199

[www.aqblinds.co.uk](http://www.aqblinds.co.uk)

**markilux**  
safe timeless beautiful

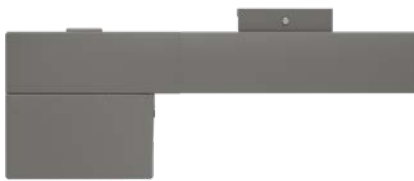
**Product Characteristics**

Wind resistance class 2 | 3 (depending on size)  
 Beaufort 5 → 28–37 km/h → 7.5–10.4 m/s → 17–23 mph |  
 Beaufort 6 → 38–48 km/h → 10.5–13.4 m/s → 24–30 mph

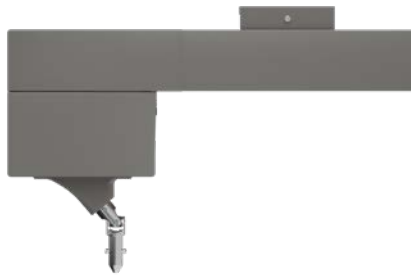
01  
02  
03  
04  
05  
06  
07  
08  
09  
10  
11  
12  
13  
14  
15  
16  
17  
18  
19



**1** side view: motor drive, flat track bracket



**1** side view: crank handle operation



**2** cable feed for lighting options



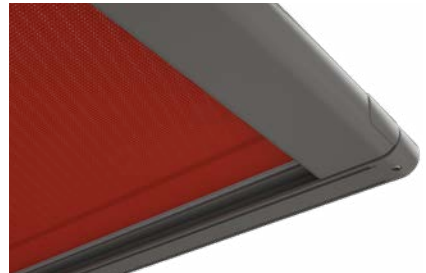
**3** shadeplus during extension



**4** tracfix cover guidance – no gap between cover and track <sup>1)</sup>



**5** when extended, the front profile finishes flush with the end of the guide tracks



**6** LED-Line fitted to the guide track and cover support tube <sup>1)</sup>



**7** LED-Line fitted to the guide track and LED-Spots in the cover support tube <sup>1)</sup>



**8** LED-Line in the cassette <sup>1)</sup>



1) Optional accessories

## Product Characteristics

### Description

- underglass awning with cleanly designed, quadratic cassette and harmoniously matched, angular guide tracks
- the ingenious tensioning system and the sturdy design allow areas of up to 27 m<sup>2</sup> to be shaded

### Special features

- fully encompassing cassette that protects the cover perfectly
- tried-and-tested tensioning system with drive belts and integrated gas pistons – delivers optimum cover tension – in any phase of extension
- tracfix optional: the continuous lateral cover guidance system that leaves no gap between the cover and guide tracks – gives improved wind stability and a cleaner appearance
- various lighting combinations are available: lighting strip LED Line in the guide tracks, LED Line in the cover support tube or LED Spots fitted to the cover support tube – individually configurable lighting options providing a pleasant atmosphere in the evening
- option of a drop valance with a height of 150 cm or 210 cm (depending on the fabric series chosen) – protection against low-lying sun, wind and inquisitive glances integrated into the front profile, with manual operation
- the broad range of brackets with patented clip-on system offers individual fixture solutions

### Dimensions

- single unit: 60–600 cm in width, maximum extension 600 cm (depending on the width)
- maximum dimensions, width × extension: 400 × 600 cm / 600 × 450 cm (without tracfix system)
- maximum dimensions, width × extension: 600 × 450 cm (with tracfix system)
- intermediate sizes are available

### Roller tube and lateral bearings

- round roller tube Ø 85 mm with keyway, galvanised steel – excellent stability, ensures near perfect cover performance even at the largest widths
- the roller tube bearing is made of stainless steel

### Awning profiles

- extruded aluminium, in façade quality, powder coated
- cassette profile in two pieces, square, height × depth 125 mm × 125 mm
- guide tracks angular, rounded edges, width × height 52 mm × 52 mm
- front profile rounded at the front, depth × height 110 mm × 52 mm, shadeplus profile depth × height 139 mm × 66 mm

### End caps

- the cassette end caps are made of die-cast aluminium, in two parts, powder coated
- the front profile end caps are made of high-quality plastic, powder coated

### Fixture brackets

- extruded aluminium, powder coated
- cassette is self-supporting on guide tracks
- brackets for the guide tracks: flat track brackets, stand-off brackets, reveal fixture
- standard bracket heights: 20 mm / 85 mm / 105–145 mm (bespoke heights can be ordered)
- other accessories are available

01 **Frame colours**

02 **markilux frame colours without surcharge**

03 traffic white, RAL 9016



04 metallic aluminium, RAL 9006



05 grey brown, similar to RAL 8019



07 off-white textured finish, 5233 <sup>1)</sup>



08 stone grey metallic, 5215 <sup>1)</sup>



09 anthracite metallic, 5204 <sup>1)</sup>



11 havana brown textured finish, 5229 <sup>1)</sup>



**17**

**Non-standard powder-coated finish**

18 Bespoke frame colours incur a surcharge – matt, metallic, finely textured and pearl finishes as well as other colour ranges (DB, Tiger etc.) on request. All frame colours are available at a surcharge with enhanced corrosion protection.

19 Colours may differ slightly from those depicted in both hue and finish.

<sup>1)</sup> textured finish

# Dimensions and configuration options

Single unit

		Awning fixture width										Minimum fixture width	
		150	200	250	300	350	400	450	500	550	600	Hard-wired motor	Radio-controlled motor
<b>Order dimensions</b>		60 150	151 200	201 250	251 300	301 350	351 400	401 450	451 500	501 550	551 600		
<b>Overall width</b>		+ 5,4											
<b>H</b>	150 <sup>1)</sup>											60 [72]	70 [82]
	200 <sup>1)</sup>												
	250 <sup>1)</sup>									2)			
	300 <sup>1)</sup>							2)	2)	2)			
	350 <sup>1)</sup>						2)	2)	2)	2)	2)		
	400 <sup>1)</sup>	2)	2)	2)	2)	2)	2)	2)	2)	2)	2)		
	450 <sup>1)</sup>	2)	2)	2)	2)	2)	2)	2)	2)	2)	2)		
	500	2)	2)	2)	2)	2)	2)	—	—	—	—		
	550	2)	2)	2)	2)	2)	2)	—	—	—	—		
	600	2)	2)	2)	2)	2)	2)	—	—	—	—		

dimensions in cm

- 1) = tracfix (optional). Only available with motor
- 2) = meets wind resistance class 2, all other sizes meet wind resistance class 3
- 3) = from an extension of 281 cm
- H = extension
- [...] = dimensions in the case of tracfix units

- = 2 brackets
- = 3 brackets
- = 3 brackets, 1 stainless steel cover support wire

Operation	standard	optional
crank handle	✓ <sup>1)</sup>	—
hard-wired motor	✓ <sup>2)</sup>	—
silentec motor (optionally with an external io / RTS receiver <sup>1)</sup> )	—	—
radio-controlled motor io, 868 MHz	—	✓
radio-controlled motor RTS, 433 MHz	—	✓

- 1) Not with tracfix
- 2) With tracfix

### Coupled awnings

not available

Shadeplus	standard	optional
height depends on fabric pattern, see table "Shadeplus cover"		
awning fixture width minimum 201 cm – maximum 500 cm		
crank handle	✓	—
hard-wired motor	—	—
radio-controlled motor io, 868 MHz	—	—
radio-controlled motor RTS, 433 MHz	—	—

### Optional accessories

- tracfix – cover guidance system holding the cover neatly in the guide rails
- shadeplus, manual
- LED-Line attached to the guide tracks
- LED-Line in the cover support tube <sup>1)</sup>
- LED-Spots in the cover support tube <sup>1)</sup>
- LED-Spots on the cassette
- LED-Line in the cassette
- infrared heater 2500 W
- infrared heater 2500 W with integrated radio-controlled receiver 868 MHz io
- automatic controls (light, wind, rain)

N.B. Important background information can be found in the chapter "Optional Accessories"

- 1) LED-Line and LED-Spots cannot be combined with one another

01 **sunvas** Fabric pattern 309.. – 315.. **smart art** 340..  
**transolair** 339.. **sun silk** 324.. / 328.. / 369..  
**perla FR** 371..<sup>3)</sup> / 372..<sup>3)</sup>  
 02 Fabric width 120 cm

		Awning fixture width									
		150	200	250	300	350	400	450	500	550	600
AH	tracfix 1)	150									
		200									
		250									
		300									
		350									
		400									
		450									
		500									
		550									
		600									

08 **sunvas** Fabric pattern 31008<sup>2)</sup>, -09<sup>2)</sup>, -13, -16, -18, -25, -27, -28, -31, -36, -37, -57, -58, 31109, -14, -17  
 09 Fabric width 250 cm

		Awning fixture width									
		150	200	250	300	350	400	450	500	550	600
AH	tracfix 1)	150									
		200									
		243									
		300				2)	2)	2)			
		350				2)	2)	2)			
		400				2)	2)	2)			
		450				2)	2)				
		500				2)	2)				
		550				2)	2)				
		600				2)	2)				

2) also available in fabric width 320 cm – then seamless

15 **sunbow** Fabric pattern 411.. - 427..  
 16 Fabric width 120 cm

		Awning fixture width									
		150	200	250	300	350	400	450	500	550	600
AH	tracfix 1)	150									
		200									
		250									
		300									
		350	3)	3)	3)	3)	3)	3)	3)	3)	3)
		400	3)	3)	3)	3)	3)	3)	3)	3)	3)
		450									
		500									
		550									
		600									

3) Only in tracfix units

**Note:** The maximum width of the outer panels in tracfix systems with vertical panel joints is 35 cm

= vertical panel joints (panel width approx. 120 cm)
  = seamless
  = not available
  = horizontal panel joint(s)
 AH = unit height

1) = optional

dimensions in cm

**transolair** Fabric pattern 338..  
Fabric width 250 cm

		Awning fixture width									
		150	200	250	300	350	400	450	500	550	600
AH	tracfix 1)	150									
	200										
	243										
	300										
	350										
	400										
	450										
	500										
	550										
	600										

**perfortex** Fabric pattern 331.. / 332..  
Fabric width 120 cm

		Awning fixture width									
		150	200	250	300	350	400	450	500	550	600
AH	tracfix 1)	150									
	200										
	250										
	300										
	350										
	400										
	450										
	500										
	550										
	600										

**vuscreen Alu** Fabric pattern 317..  
Fabric width 252 cm

		Awning fixture width									
		150	200	250	300	350	400	450	500	550	600
AH	tracfix 1)	150									
	200										
	243										
	300										
	350										
	400										
	450										
	500										
	550										
	600										

**glass fibre screen Serge** 600 not available Fabric pattern 272..  
Fabric width 250 cm

		Awning fixture width									
		150	200	250	300	350	400	450	500	550	600
AH	tracfix 1)	150									
	200										
	250										
	300										
	350										
	400										
	450										
	500										
	550										
	600										

**Note:** The maximum width of the outer panels in tracfix systems with vertical panel joints is 35 cm

= vertical panel joints (panel width approx. 120 cm)  
 = seamless  
 = not available  
 = horizontal panel joint(s)  
**AH** = unit height

1) = optional

dimensions in cm

01  
02  
03  
04  
05  
06  
07  
08  
09  
10  
11  
12  
13  
14  
15  
16  
17  
18  
19

**Soltis Veozip (not available)** Fabric pattern 511..  
Fabric width 290 cm

		Awning fixture width										
		150	200	250	300	350	400	450	500	550	600	
AH	tracfix 1)	150										
		200										
		250										
		300										
		350										
		400										
		450										
		500										
		550										
		600										

**Soltis Perform 92** Fabric pattern. 92..  
Fabric width 177 cm

		Awning fixture width										
		150	200	250	300	350	400	450	500	550	600	
AH	tracfix 1)	150										
		180										
		250										
		300										
		350										
		400										
		450										
		500										
		550										
		600										

**Note:** The maximum width of the outer panels in tracfix systems with vertical panel joints is 35 cm

= vertical panel joints (panel width approx. 120 cm)
  = seamless
  = not available
  = horizontal panel joint(s)
 AH = unit height

1) = optional

dimensions in cm



Awning cover	fabric pattern no.	standard	optional
sunvas	300..-315..	✓	—
sunsilk	324.. / 328.. / 369..	✓	—
sunbow	411..-427..	✓	—
smart art	340..	—	✓
perla FR	371.. / 372..	—	✓
perfortex	331.. / 332..	✓	—
transolair	338..	—	✓
transolair (120 cm)	339..	—	✓
vuscreen Alu	317..	—	✓
Soltis Perform 92	92-..	—	✓

shadeplus / drop valance cover <sup>1)</sup>	fabric pattern no.	standard	optional	Awning fixture width	height	tailored cloth
sunvas	309.. / 310.. / 311..	✓	—	≤ 500	210	QN
sunsilk	324..	✓	—	≤ 500	210	QN
sunbow	411.. / 414.. / 421.. / 424..	✓	—	≤ 500	210	QN
transolair	338..	—	✓	≤ 500	210	N
transolair (120 cm)	339..	—	✓	≤ 500	210	QN
vuscreen Alu	317..	—	✓	≤ 500	150	N
Soltis Perform 92	92-..	—	✓	≤ 500	210	QN
glass fibre screen Serge 600	272..	—	✓	≤ 500	210	N
perfortex	331.. / 332..	—	—			
perla FR	371.. / 372..	—	—			

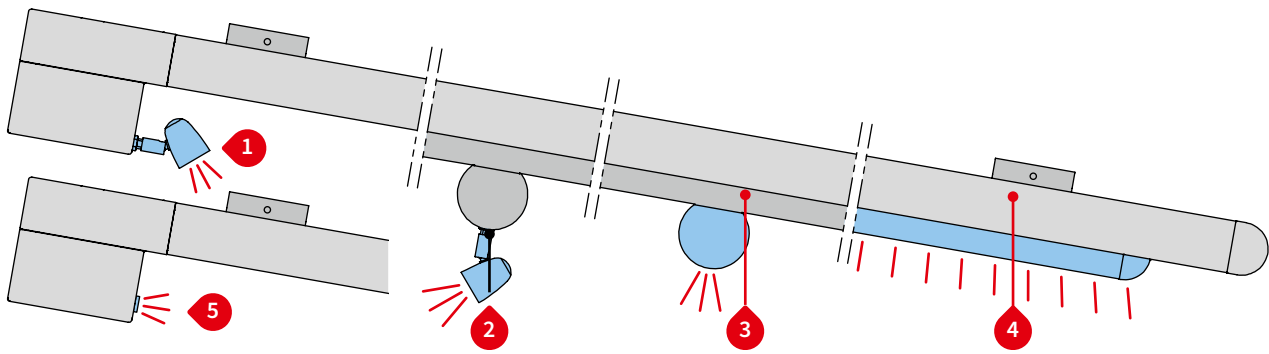
1) Shadeplus cover is narrower than the awning cover

N = seamless

QN = horizontal seam(s)

Only available in plain seamless fabrics (oversized, fabric width > 120 cm) or in plains with a horizontal joint (fabric width 120 cm)

## Lighting options



### Lighting options

- 1 LED-Spots on the cassette
- 2 LED-Spots attached to the cover support tube <sup>1)</sup>
- 3 LED-Line in the cover support tube <sup>1)</sup>
- 4 LED-Line attached to the guide tracks
- 5 LED-Line in the cassette

### Controls

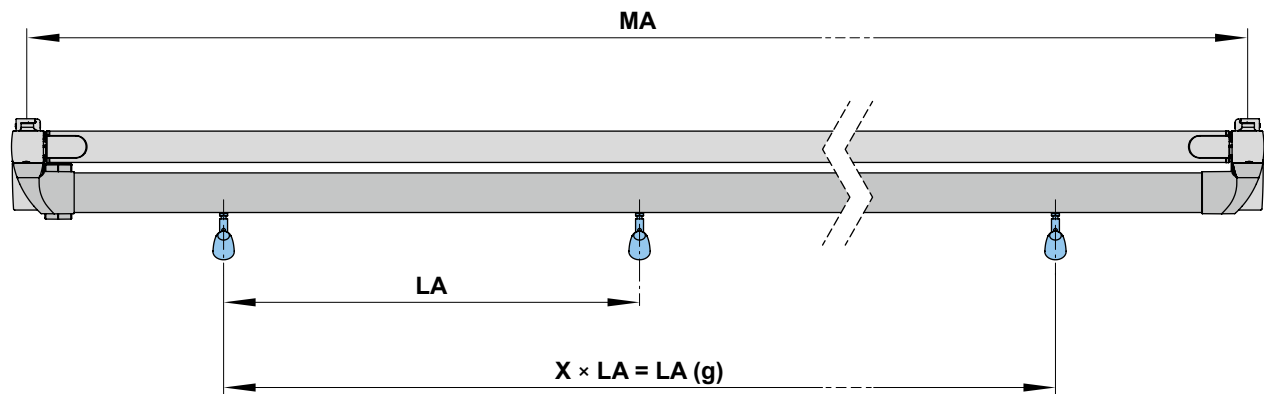
	standard	optional
on/off switch	—	✓
radio-controlled dimmer io 868 MHz	✓	—
radio-controlled dimmer RTS 433 MHz	—	✓

For combination possibilities please view section "Dimension overview lighting options"

1) LED-Line and LED-Spots cannot be combined with one another

## Distribution of the LED-Spots

1 and 2 in the cassette and in the cover support tube



Awning fixture width	no. of spots	LA	LA (g)
150–250	3	65	130
251–300	3	98	196
301–350	3	98	196
351–400	4	98	294
401–450	4	98	294
451–500	5	98	392
501–550	5	98	392
551–600	6	98	490

dimensions in cm

- LA = distance between the spots
- LA (g) = distance between the spotlights (total)
- MA = **order dimension** = awning fixture width = fixture width

**1** and **2** in the cassette and in the cover support tube**Technical specification**

operating voltage	230 V, 50 Hz
power output of one LED spotlight	5 W
light source	LED (12 V)
number of transformers	1 unit
light temperature	warm white
IP protection class	IP 44
service life	approx. 20.000 h

**3** and **4** , **5** LED-Line in the cover support tube, in the guide tracks and in the cassette**Technical specification**

operating voltage	230 V, 50 Hz
power output per metre	10 W / m
light source	LED (12 V)
number of LEDs	120 units / m
number of transformers	1 unit
light temperature	warm white
IP protection class	IP 44
service life	approx. 15.000 h

01  
02  
03  
04  
05  
06  
07  
08  
09  
10  
11  
12  
13  
14  
15  
16  
17  
18  
19

**17**

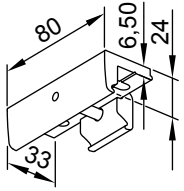
01 **Fixtures, fittings and accessories**

02

03

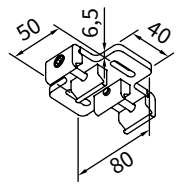
04

05



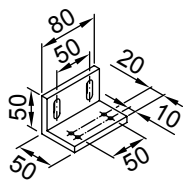
flat track bracket  
fixture type 10 and 15

**78548.**



double track bracket  
plat  
2 single units

**73627.**



additional angled  
bracket for the  
bearing, gearbox and  
motor sides  
50 x 50 x 80 mm  
fixture type 15

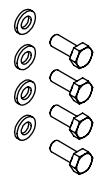
**78719.**

06

07

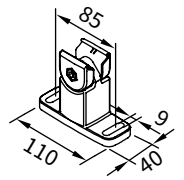
08

09



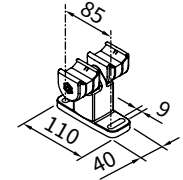
accessories  
for two angled brackets  
78719.

**787211**



track bracket, with  
adjustable head  
80 mm  
fixture type 20

**73624.**



double track bracket  
with adjustable head  
80 mm  
central bracket for 2  
single units next to  
each other

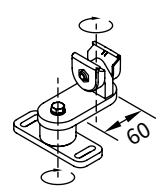
**73631.**

10

11

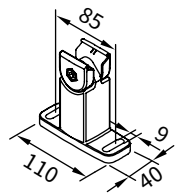
12

13



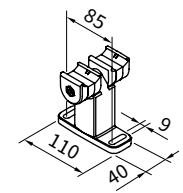
windmill track bracket  
80 mm

**73629.**



track bracket, with  
adjustable head  
100 mm

**76046.**



double track bracket  
with adjustable head  
100 mm  
central bracket for 2  
single units next to  
each other

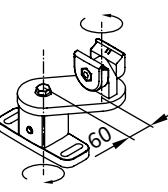
**73634.**

14

15

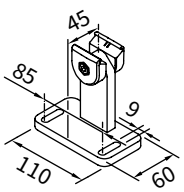
16

17



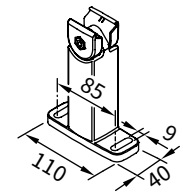
windmill track bracket  
100 mm

**76054.**



track bracket with offset  
footplate  
100 mm

**76199.**

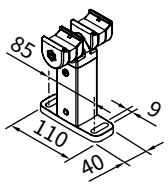


track bracket, with  
adjustable head  
140 mm

**76048.**

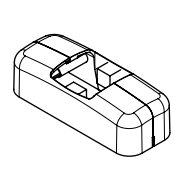
18

19



double track bracket  
with adjustable head  
140 mm  
central bracket for 2  
single units next to  
each other

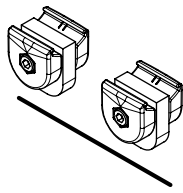
**73636.**



covering cap  
for square track bracket  
standard accessory for  
bracket

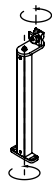
**2 x 76718.**

## Fixtures, fittings and accessories



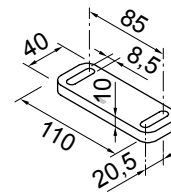
sprung bracket with stainless steel cover support wire  
included with the delivery

**73639. and 771401.**



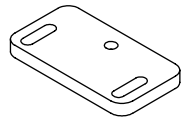
universal track bracket with adjustable head  
140-500 mm

**76053.**



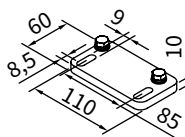
spacer plate for track bracket  
110 × 40 × 10 mm

**78570.**



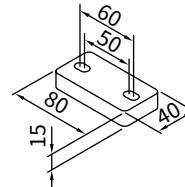
adapter plate for track bracket  
110 × 60 × 10 mm

**78158.**



adapter plate for track bracket  
110 × 60 × 10 mm

**78165.**



spacer plate double track bracket flat  
80 × 40 × 15 mm

**73742.**

01  
02  
03  
04  
05  
06  
07  
08  
09  
10  
11  
12  
13  
14  
15  
16  
**17**  
18  
19

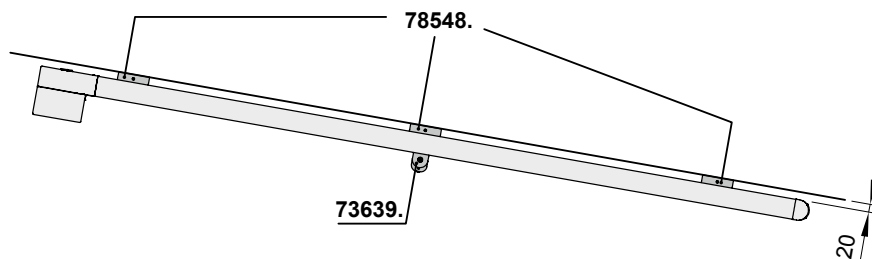
01 **Fixture types**

02

03

04 **10**

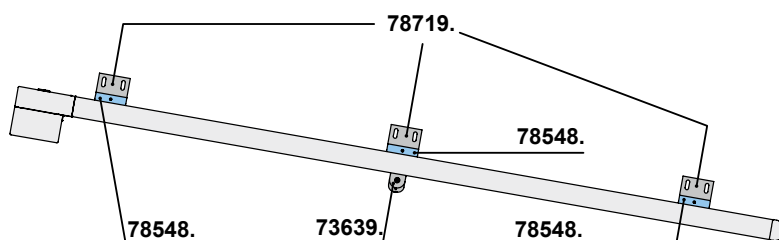
Clearance 20 mm



06

07 **15**

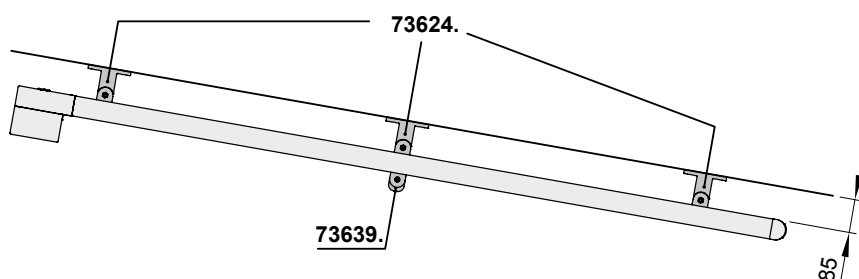
By angled bracket to the side



10

11 **20**

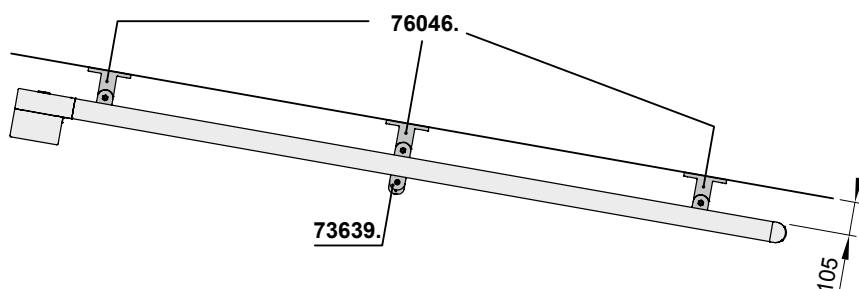
Clearance 85 mm



14

15 **21**

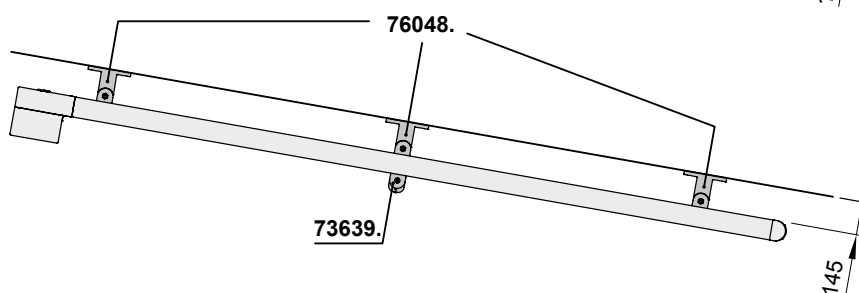
Clearance 105 mm



18

19 **22**

Clearance 145 mm



**Individual bracket selection:**

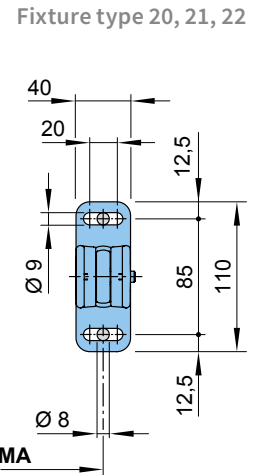
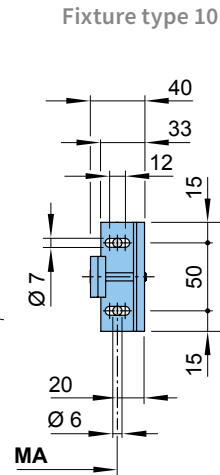
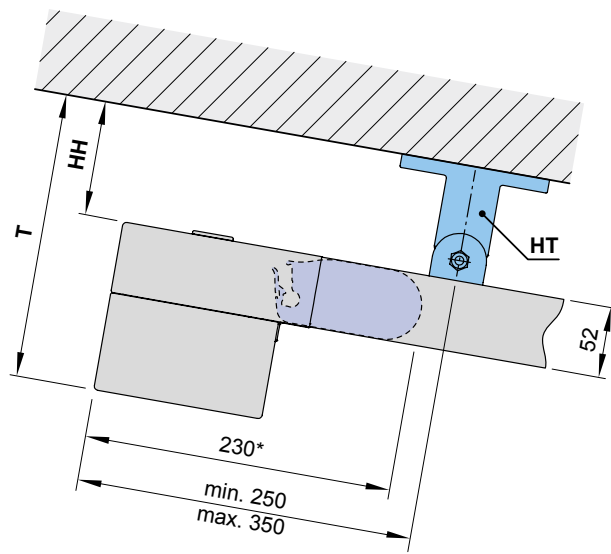
See "Fixtures, fittings and accessories".  
 Awning extension > 300 cm, always 3 brackets per guide track.  
 During extension and retraction the cover may sag.

Cover support wires and bracket (73639.) are only supplied with the markilux 779 without tracfix.  
 A bracket should always be placed where these are positioned.

dimensions in mm

# Fixture types

## Overview of dimensions



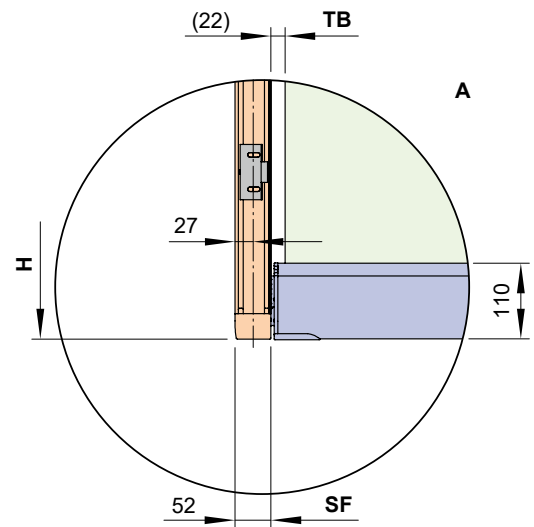
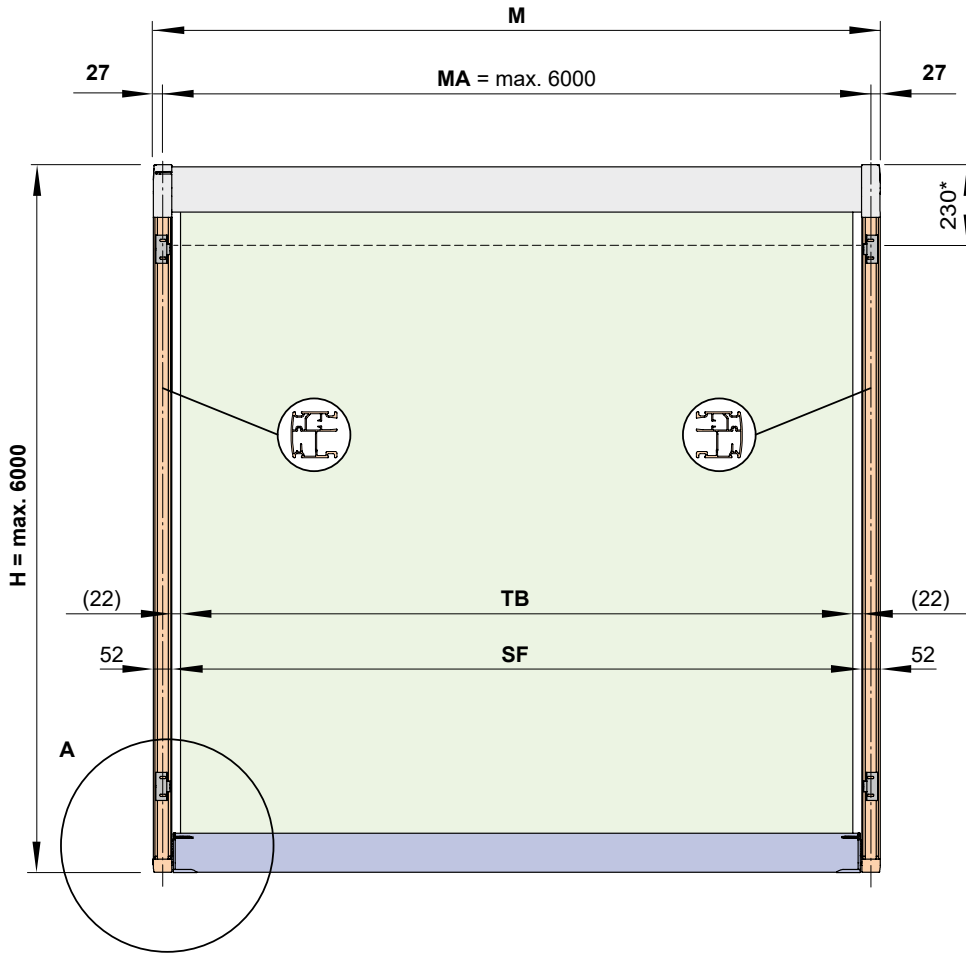
	Fixture type 10	Fixture type 20	Fixture type 21	Fixture type 22
<b>HT</b> = bracket	<b>78548.</b>	<b>73624.</b>	<b>76046.</b>	<b>76048.</b>
<b>HH</b> = bracket height	20	85	105	145
<b>T</b> = depth	150	215	235	275
<b>MA</b> = order dimension				
<b>*</b> = extension when retracted				

01  
02  
03  
04  
05  
06  
07  
08  
09  
10  
11  
12  
13  
14  
15  
16  
17  
18  
19

**17**

01 Overview of dimensions

02 Single unit



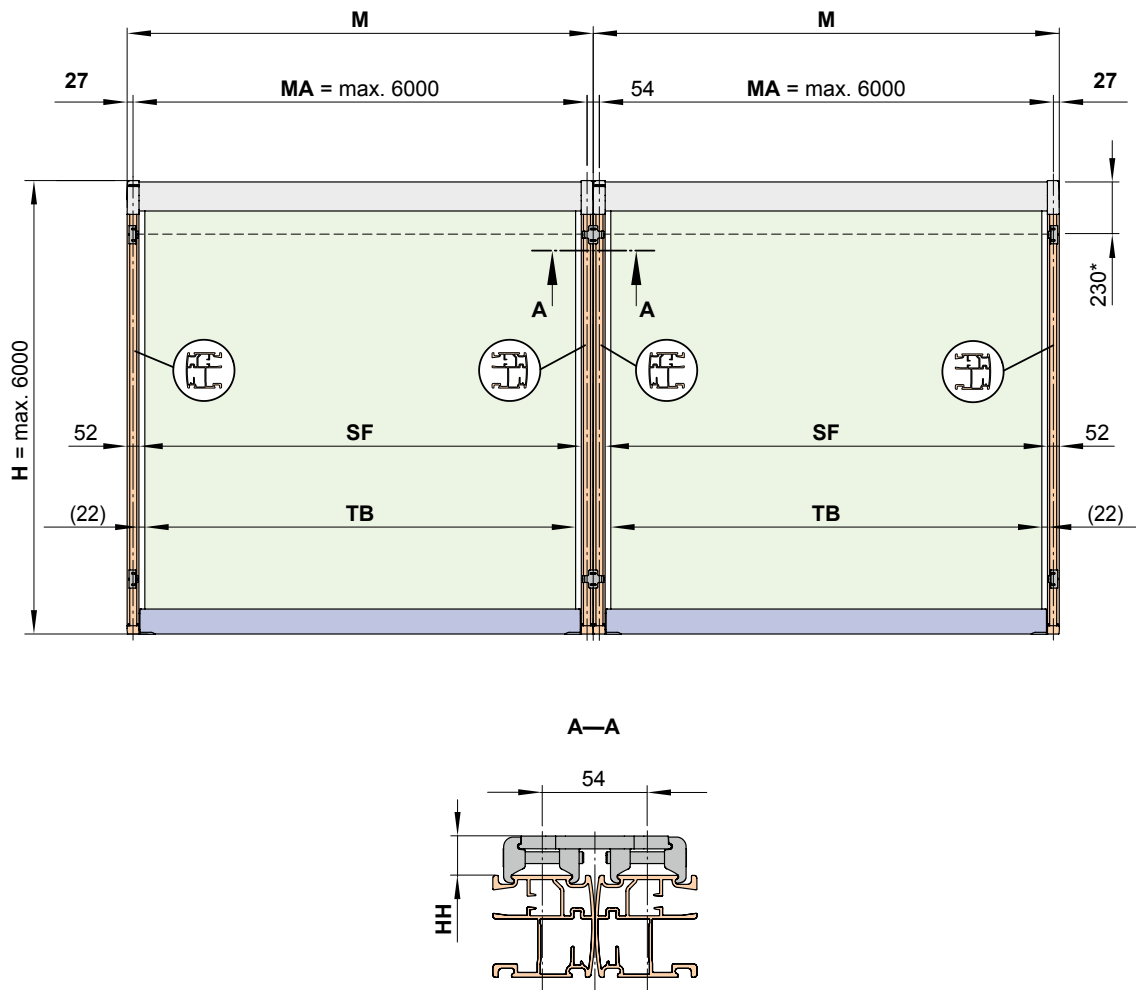
- \* = extension when retracted
- (...) = gap between cover and guide track (non-tracfix units)
- H = **order dimension** = extension
- M = awning width
- MA = **order dimension** = awning fixture width = fixture width
- SF = visible cover (in tracfix systems)
- TB = cover width (in non-tracfix systems)

dimensions in mm



# Overview of dimensions

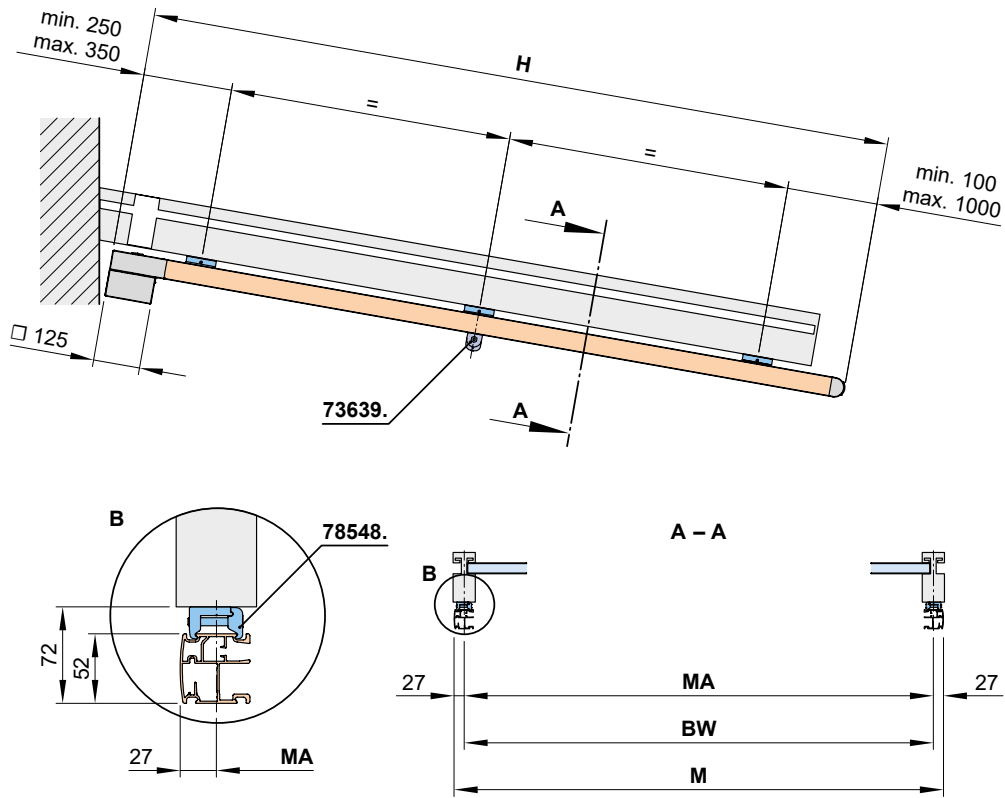
Two single units – fixture via double track brackets



- \* = extension when retracted
- (...) = gap between cover and guide track (non-tracfix units)
- H = **order dimension** = extension
- HH = bracket height
- M = awning width
- MA = **order dimension** = blind fixture width = fixture width
- SF = visible cover (in tracfix systems)
- TB = cover width (in non-tracfix systems)

dimensions in mm

Dimension overview fixture combination 10

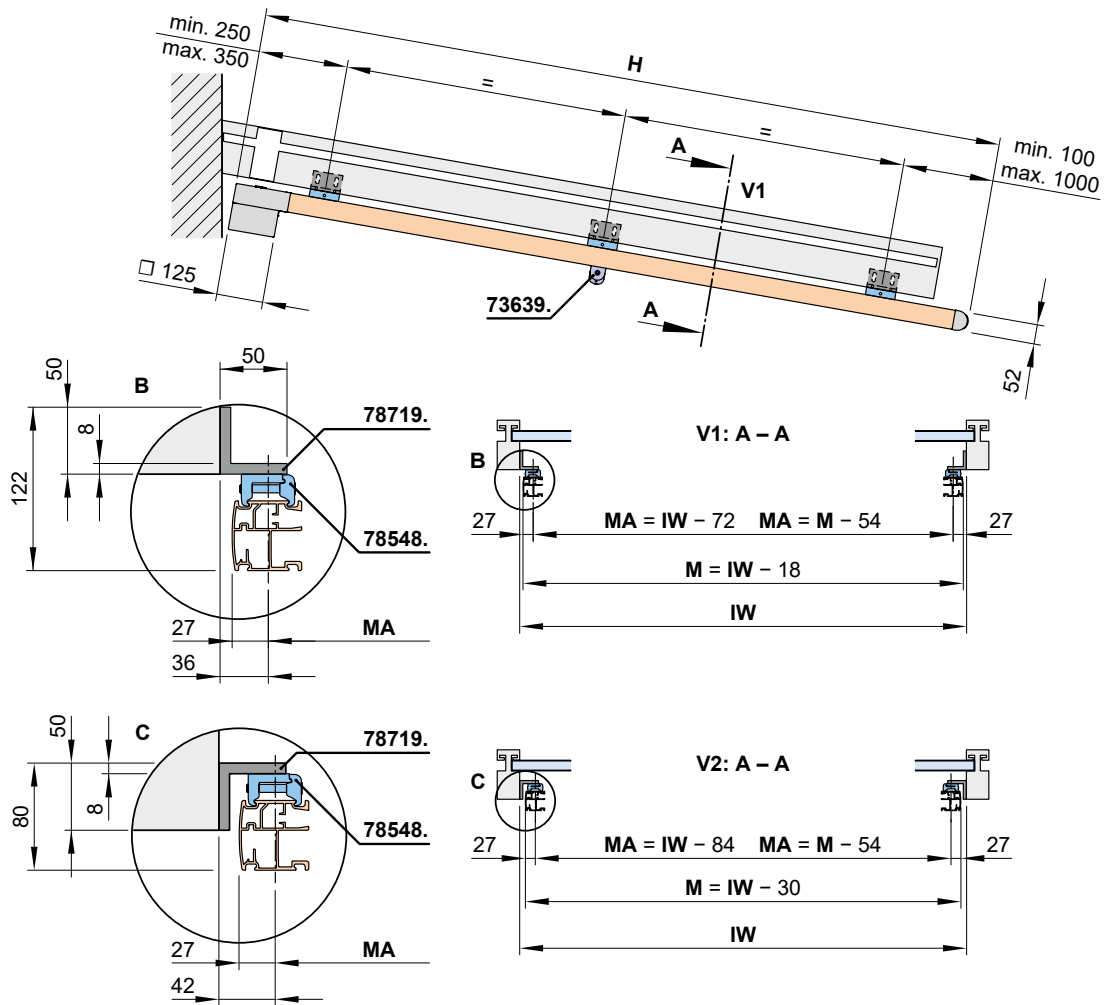


17

- BW** = width between fixture points on the conservatory
- H** = **order dimension** = extension
- M** = awning width
- MA** = **order dimension** = blind fixture width = fixture width

dimensions in mm

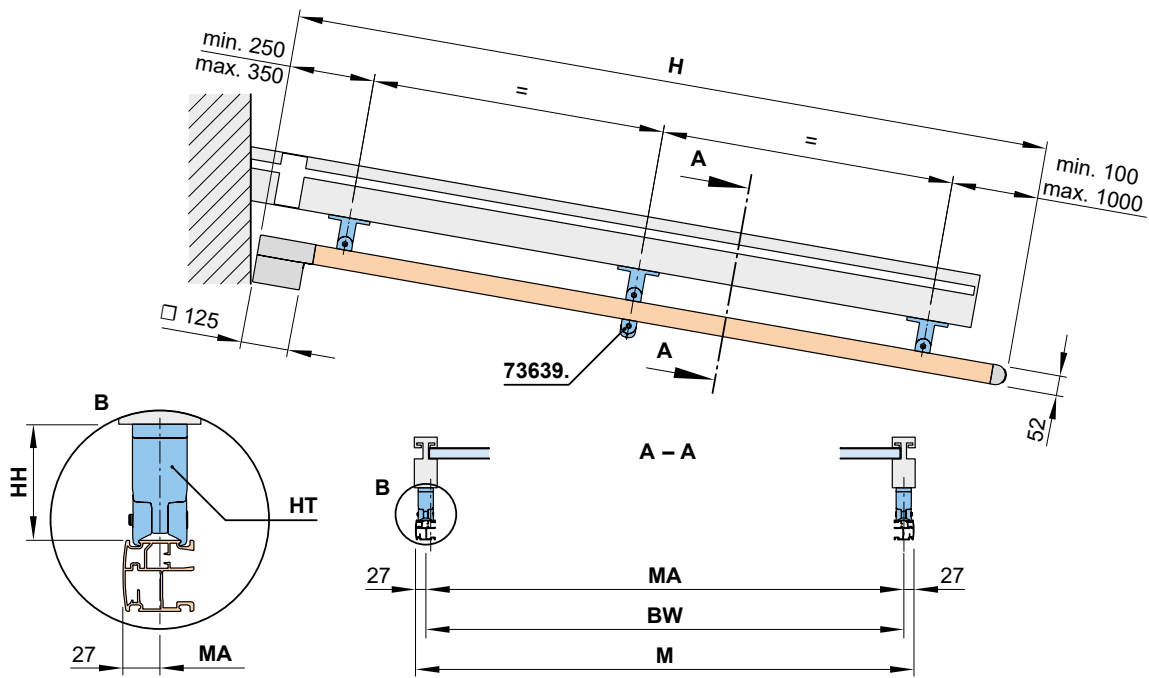
### Dimension overview fixture combination 15



- H = **order dimension** = extension
- IW = interior conservatory dimension
- M = awning width
- MA = **order dimension** = blind fixture width = fixture width
- V1, V2 = variants

dimensions in mm

Dimension overview fixture types 20, 21, 22



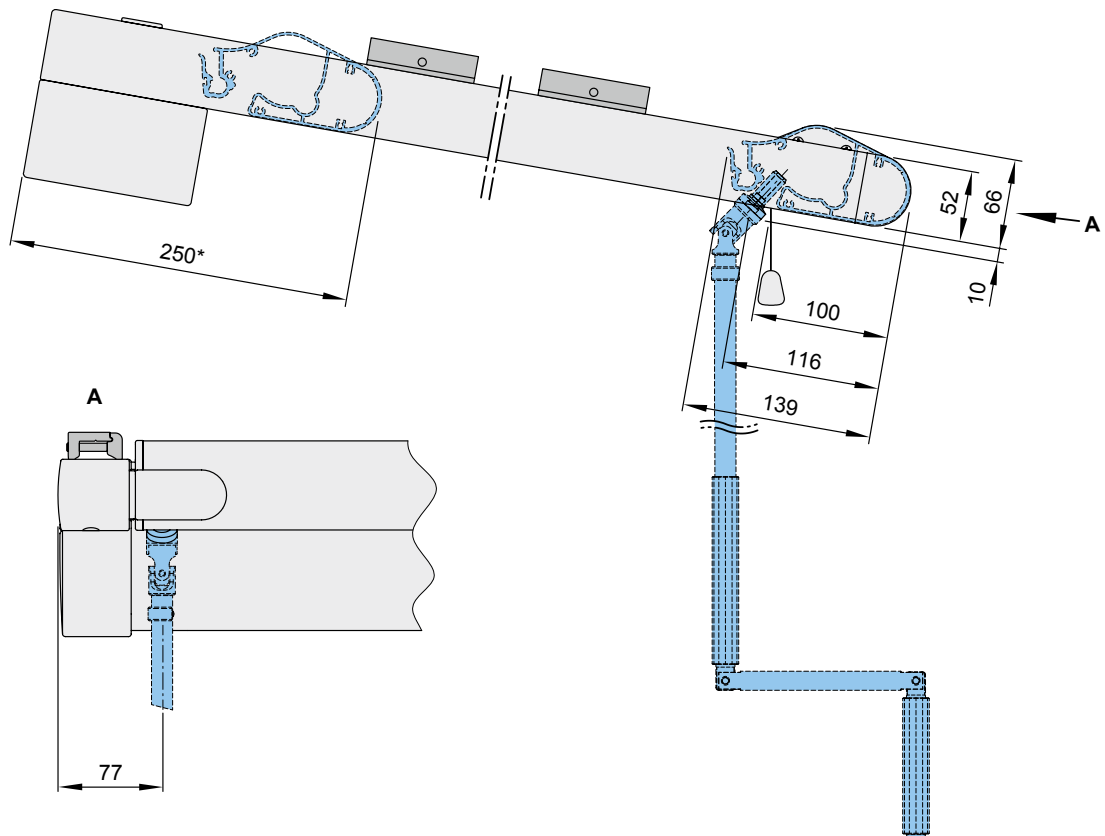
17

- BW** = width between fixture points on the conservatory
- H** = **order dimension** = extension
- HH** = bracket height (see for fixture types 10, 20, 21 und 22)
- HT** = bracket
- M** = awning width
- MA** = **order dimension** = blind fixture width = fixture width

dimensions in mm

# Dimension overview, shadeplus

Magnetic gearbox operation



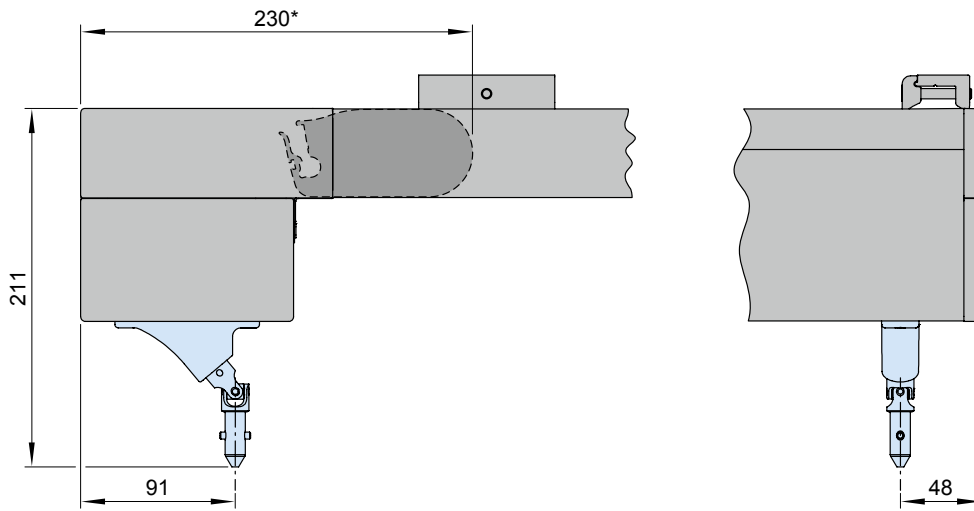
01  
02  
03  
04  
05  
06  
07  
08  
09  
10  
11  
12  
13  
14  
15  
16  
**17**  
18  
19

\* = extension when retracted

dimensions in mm

01 Gearbox crank handle position

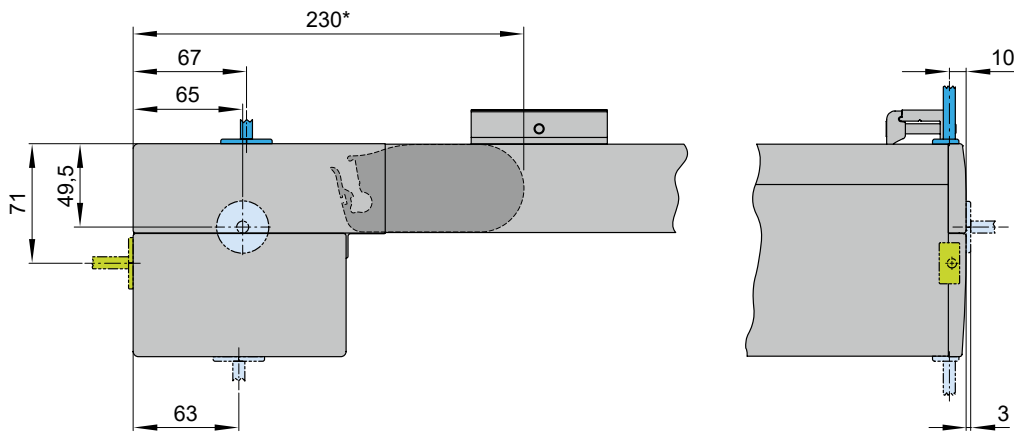
02  
03  
04  
05  
06  
07  
08  
09



10  
11  
12  
13

14 Motor cable exit point

15  
16  
17  
18  
19



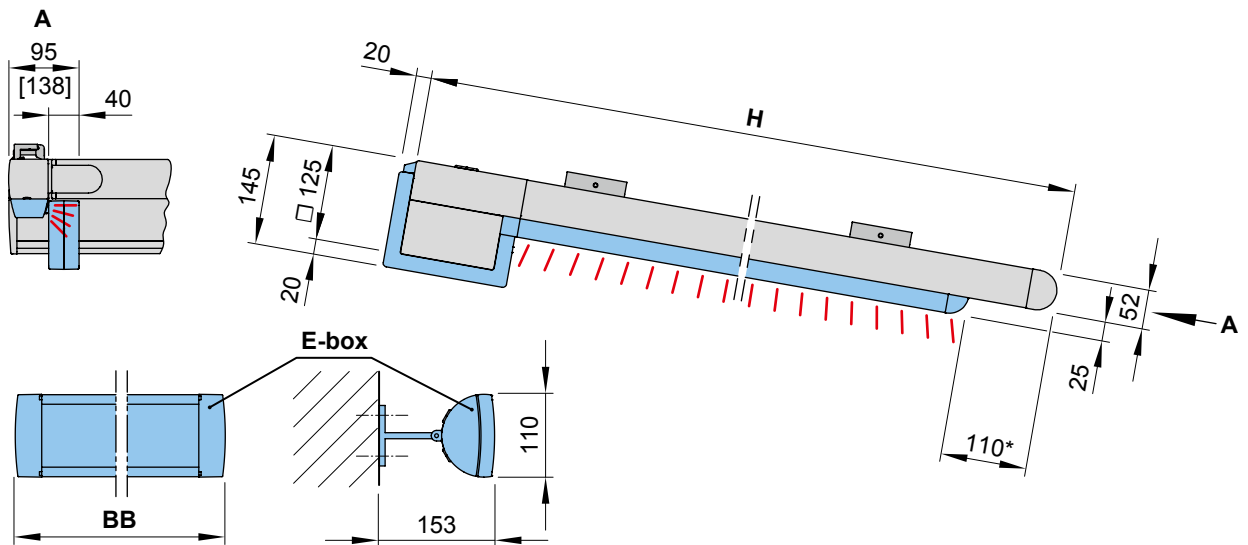
17

- \* = extension when retracted
- = standard
- = optional
- = optionally with surcharge

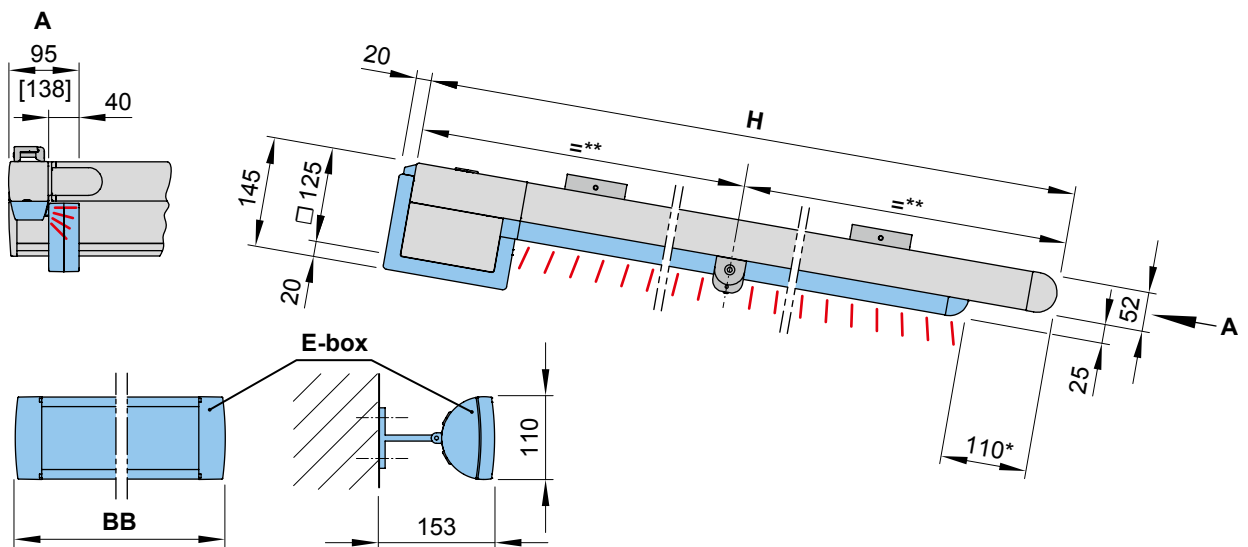
dimensions in mm

# Dimension overview with the various lighting options

Option 1: LED-Line in the guide tracks, electronic components in an E-box



Option 1a (from an extension 401 cm): LED-Line in the guide tracks, stainless steel cover support wires, electronic components in an E-box



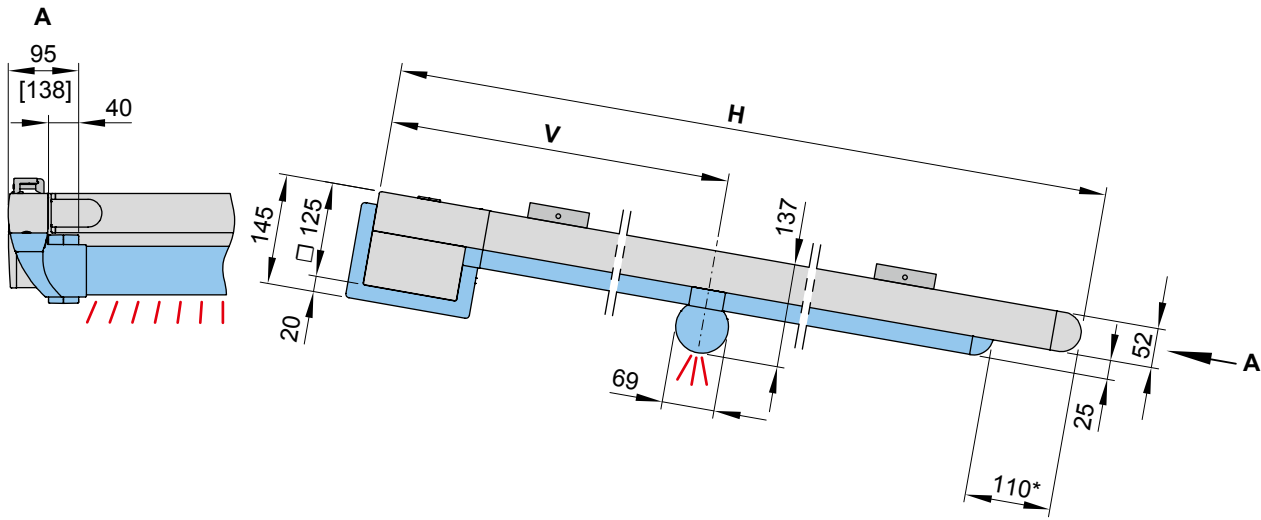
- \* = 110 mm standard, 36 mm optional
- \*\* = cover support wire centred (standard), other positions are possible on request
- [...] = for shadeplus and lighting
- BB = order width
- E-box = see "E-box"
- H = order dimension = extension

dimensions in mm

## Dimension overview with the various lighting options

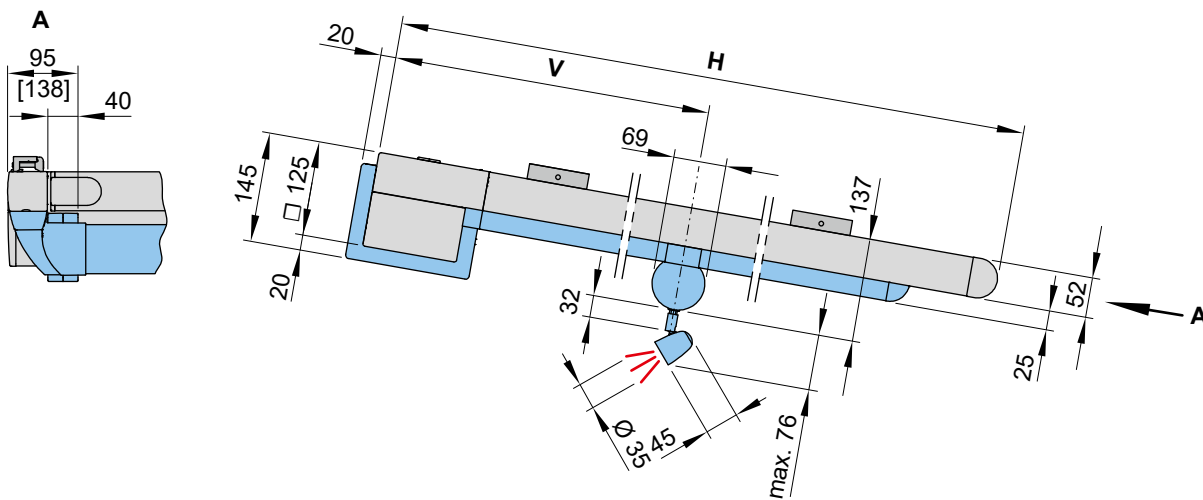
Option 2: LED-Line in the cover support tube, electronic components in the cover support tube

Option 3: LED-Line in the cover support tube and in the guide tracks, electronic components in the cover support tube



Option 6: LED-Spots in the cover support tube, electronic components in the cover support tube

Option 7: LED-Spots in the cover support tube and LED Line in the guide tracks, electronic components in the cover support tube



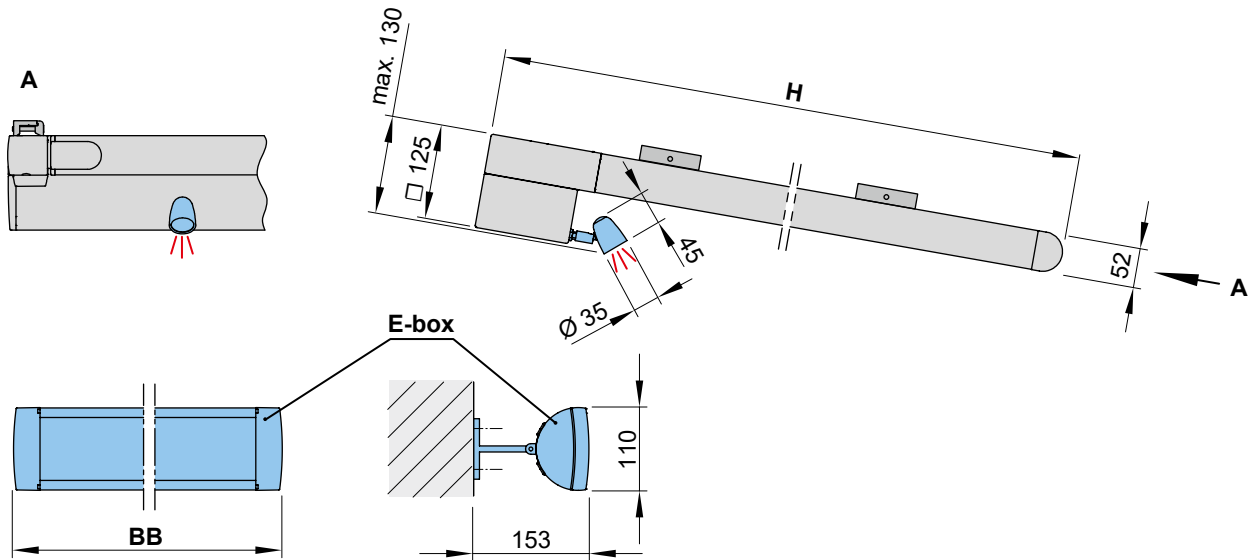
- \* = 110 mm standard, 36 mm optional
- [...] = for shadeplus and lighting
- H = **order dimension** = extension
- V = lighting distance from back of cassette. Standard: centred ( $V = H \div 2$ ).  
optionally this can be stipulated when ordering ( $V \text{ min.} = 500 \text{ mm. } V \text{ max.} = H - 500 \text{ mm}$ )
- Z = distance center of 1. to 2. support tube

dimensions in mm

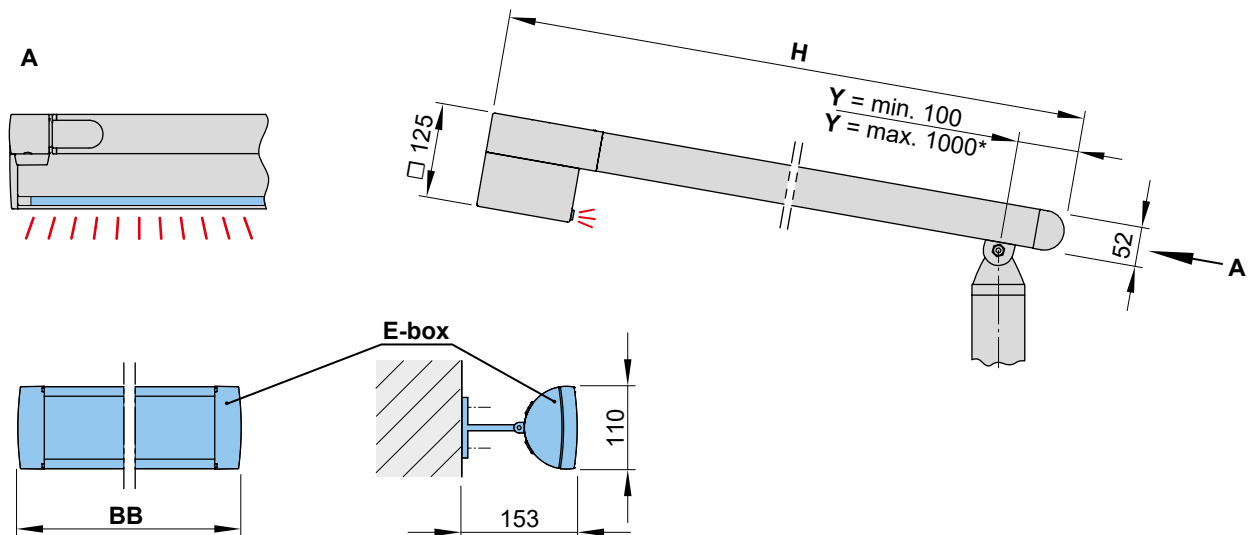


## Dimension overview with the various lighting options

Option 8: LED-Spots in the cassette (can be combined at will with options 1-9), electronic components in an E-box or in the cover support tube



Option 9: LED-Line in the cassette (can be combined at will with options 1-9), electronic components in an E-box or in the cover support tube

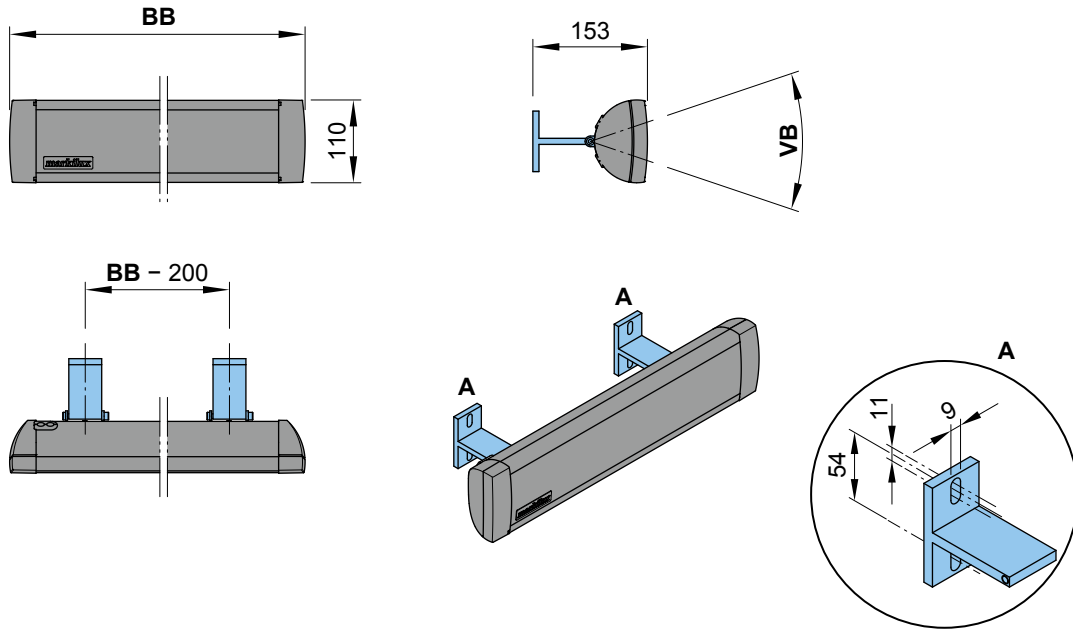


- BB = order width
- E-box = see "E-box"
- H = order dimension = extension

dimensions in mm

# E-box

## Overview of dimensions



## Dimension overview and applications

Wireless technology  
Extension H [cm]

433 RTS MHz		868 MHz io	
< 330 cm	≥ 330 cm	< 330 cm	≥ 330 cm

### Lighting options

LED-Line in the guide tracks with or without cover support wire	E-box <b>M</b> <b>71850.</b> BB = 500 mm	E-box <b>G</b> <b>71873.</b> BB = 700 mm	
LED-Spots attached to the cassette or LED-Line recessed into the cassette	E-box <b>M</b> <b>71850.</b> BB = 500 mm		
LED-Line below the guide tracks and LED spotlights attached to or LED-Line recessed into the cassette	E-box <b>G</b> <b>71873.</b> BB = 700 mm	E-box <b>L</b> <b>71874.</b> BB = 1200 mm	

for independent use

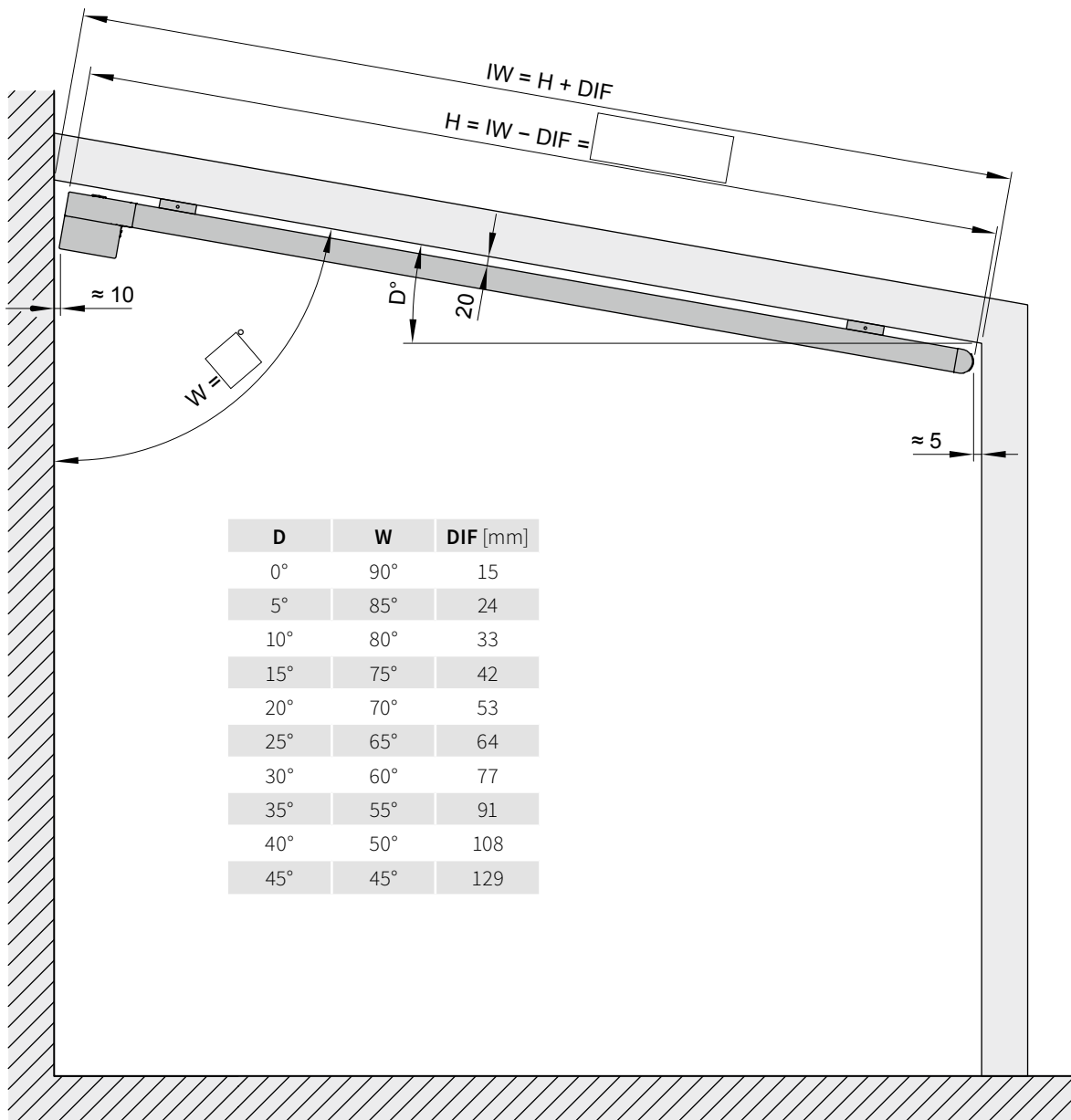
E-box **I**  
**71851.**  
BB = to order

**BB** = order width  
**VB** = adjustment range

dimensions in mm

# Dimensions for taking measurements

Awning without lighting



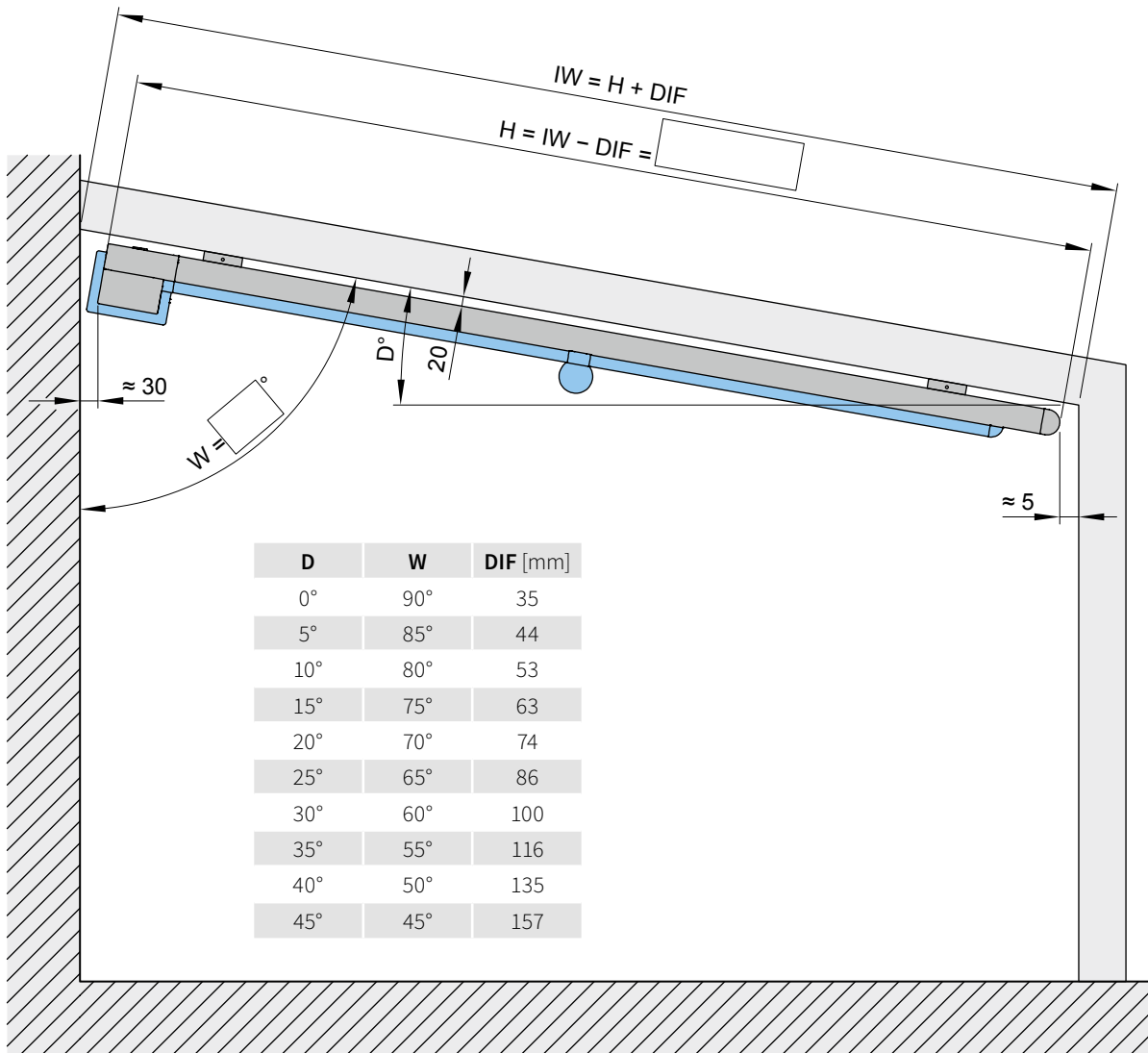
Orders are to be submitted with all the dimensions shown in the diagram!

- D = roof pitch (in °)
- DIF = difference interior conservatory measurement to extension H
- H = **order dimension** = nominal extension = IW - DIF (see table)
- IW = interior conservatory dimension
- W = awning pitch (in °)

dimensions in mm

# Dimensions for taking measurements

Awning with lighting



Orders are to be submitted with all the dimensions shown in the diagram!

- D** = roof pitch (in °)
- DIF** = difference interior conservatory measurement to extension H
- H** = **order dimension** = nominal extension = IW – DIF (see table)
- IW** = interior conservatory dimension
- W** = awning pitch (in °)

dimensions in mm