



Awning System

markilux planet

The innovative awning-cum-umbrella stand system.

markilux by Aquarius Blinds



www.aqblinds.co.uk - 0800 953 0199

markilux
safe timeless beautiful

01
02
03
04
05
06
07

Product characteristics

Wind resistance class 2
Beaufort 5 → 7.5–10.4 m/s → 28–37 km/h → 17–23 mph



1) planet flex: turning range of 300° in ten 30° lockable steps



2) planet flex: can be rotated using the Easy Go turn/lever mechanism



3) increased protection thanks to the shadeplus 1)



4) with an appearance that harmonizes with the shape of the markilux awnings fitted to it



1) optional configuration

Product characteristics

Description

- powder-coated, free-standing, aluminium awning stand system with a round support post and a square cross-beam allowing the fixture of one markilux folding-arm awning. Also available in a flex version which can be rotated.

Special features

- the ideal way to uniquely personalise your favourite spot in the garden or embellish hotels or restaurants
- functional, unique appearance, elegant design
- available in two versions: fixed in place as the markilux planet fix or optionally as the markilux planet flex which can be rotated by up to 300°
- markilux planet flex: can be rotated using the Easy Go turn/lever mechanism with a stainless steel handle for manual operation
- can be combined with many models of markilux folding-arm awning
- powder coating available in seven markilux standard frame colours or in non-standard colours

Dimensions

- overall height approximately 295 cm as standard
- support post available in intermediate heights
- support post inclination as seen from the front, approximately 10° from the vertical away from the observer
- the width of the cross-beam is equal to that of the awning width. Depending on the model, markilux folding-arm awnings up to 600/610 cm × 300 cm or 500/510 cm × 350 cm can be fitted – even with shadeplus

Awning profiles

- extruded aluminium, in façade quality, powder coated
- round support post, Ø 140 mm
- support post base plate round Ø 360 mm, galvanised steel
- rectangular cross-beam, height 140 mm × width 80 mm

Optional accessories

- attractive footplate covers, made of die-cast aluminium, powder-coated
- cable passed through ducts in the post and cross-beam, pre-fitted in the factory
- adapter set available for fixture to a Krinner screw-in foundation
- plastic fillet available (traffic white RAL 9016 or anthracite grey similar to RAL 7016) for the bracket slots in the cross-beam

Planning permission

N.B! Please note that shading systems may be subject to compulsory planning permission regulations depending on the region!

01

02

03

04

05

06

07

01 **Frame colours**

02 markilux frame colours without surcharge

03 traffic white RAL 9016



metallic aluminium RAL 9006



grey brown, similar to RAL 8019



05

06 off-white textured finish, 5233 ¹⁾



stone grey metallic, 5215 ¹⁾



anthracite metallic, 5204 ¹⁾



Havana brown textured finish, 5229 ¹⁾



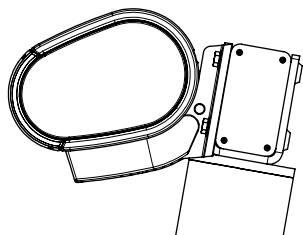
Non-standard powder-coated finish

Bespoke frame colours at a surcharge – matt, metallic and pearl finishes as well as other colour ranges (DB, Tiger etc.) on request. All frame colours are available at a surcharge with enhanced corrosion protection.

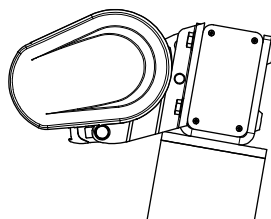
1) textured finish

Colours may differ slightly from those depicted in both hue and finish.

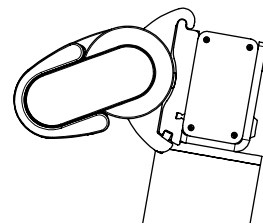
Overview of the awning combinations available



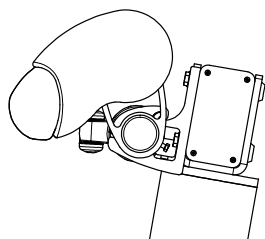
markilux 6000



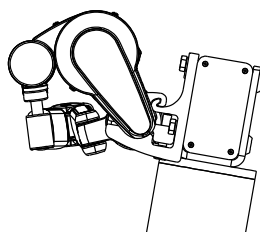
markilux 5010



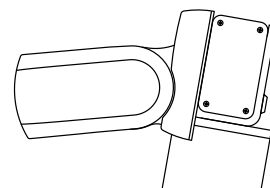
markilux 990



markilux 1600 / 1600 stretch / 1650

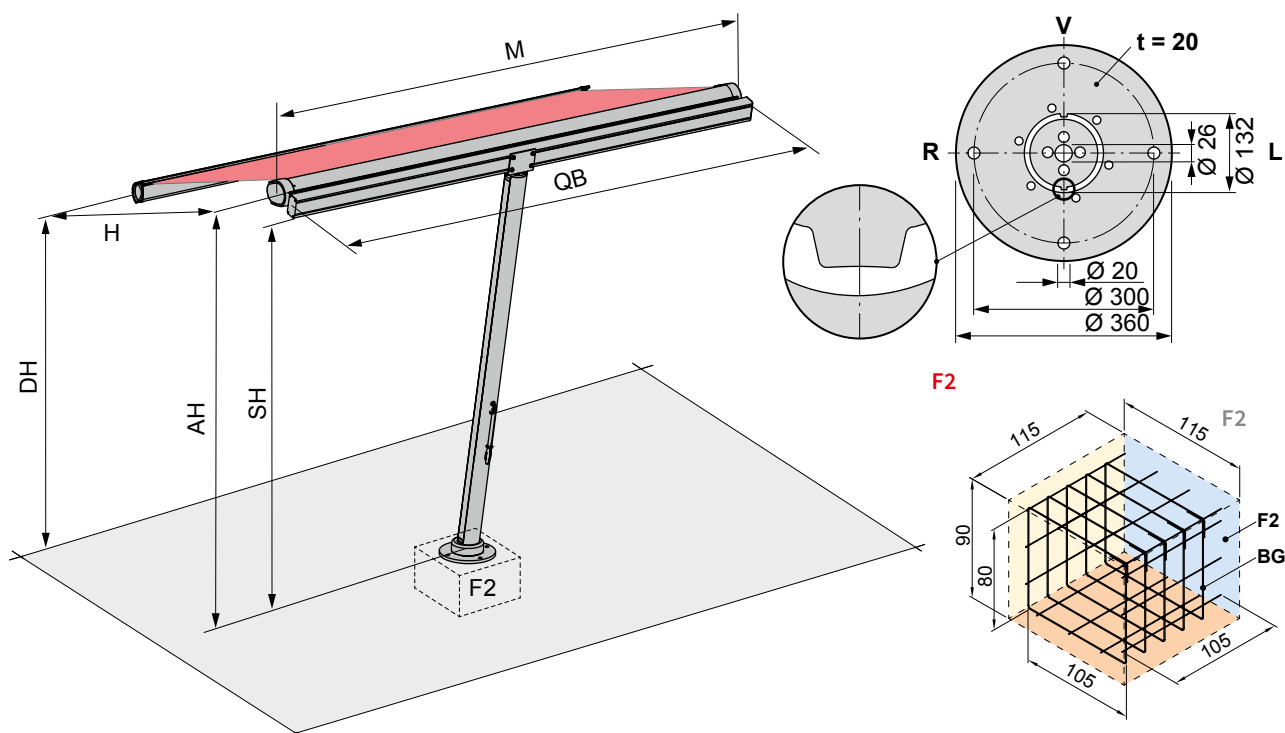


markilux 1700 / 1700 stretch /
1710 / 1710 stretch



markilux MX-3

Overview of dimensions



AH = order dimension = unit height

BG = armoured cage made from rebar matting Q188

DH = headroom

F2 = concrete footing

H = projection

M = *order dimension* = awning width = cross-beam width

QB = length of cross-beam

SH = support post height

L = left

R = right

V = front

To be supplied on site:

Concrete foundation with a compressive strength complying with C25/30 (previously B25) with a reinforcement cage made of rebar matting Q188.

The footplates are to be fitted to the concrete footing F2 using Fischer marine-grade stainless steel anchor bolts FAZ II 16/50 and washers certified to DIN 9021 (or equivalent)

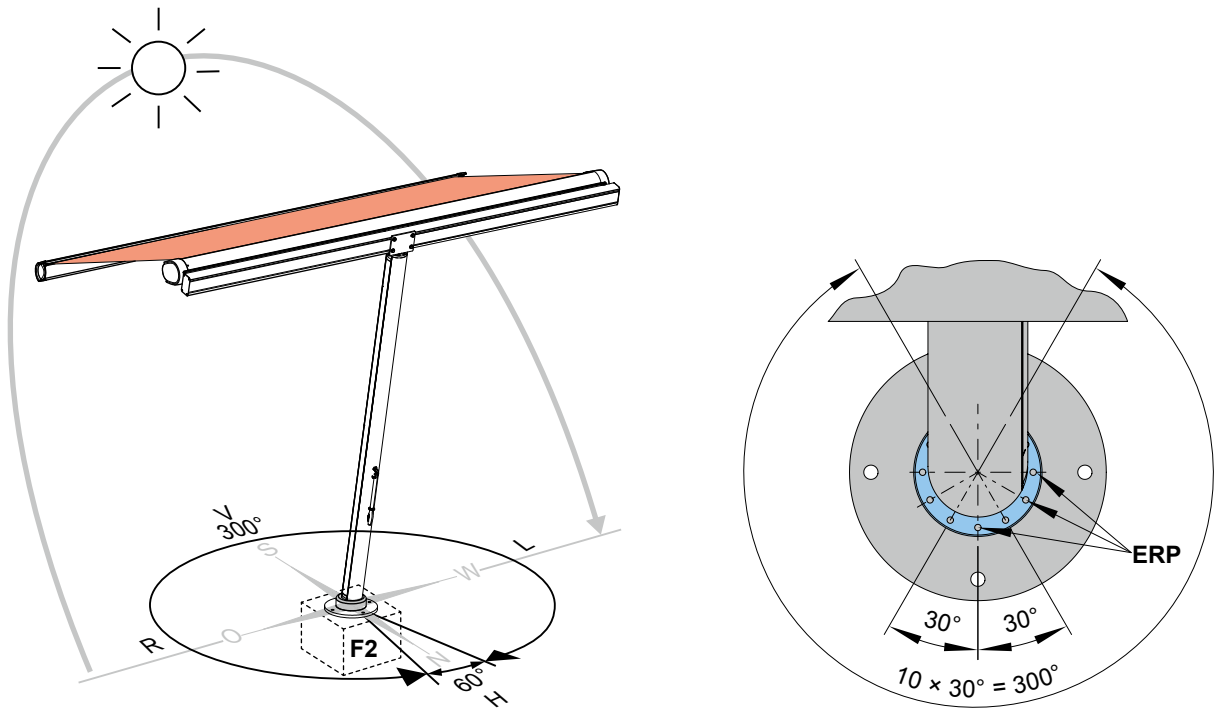
Alternatively fixture can be realised using the Krinner ground screw. Adapter sets for installation to these are available.

dimensions in mm

01 **Rotation range of the markilux planet flex**

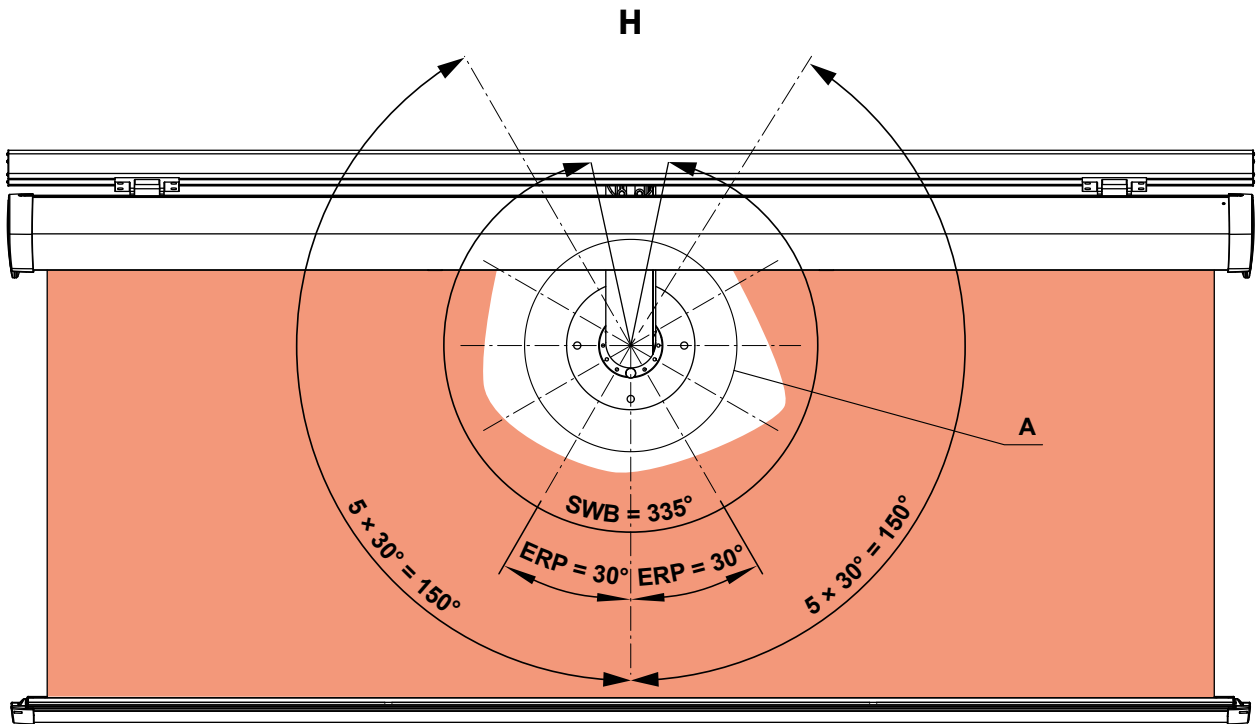
02 By virtue of the Easy-Go turn/lever mechanism, the markilux planet flex has a predetermined locking range of 300°. In order to make
 03 optimum use of the shaded area, the non-shaded 60° area should point away from the midday sun.
 04

05



06

07

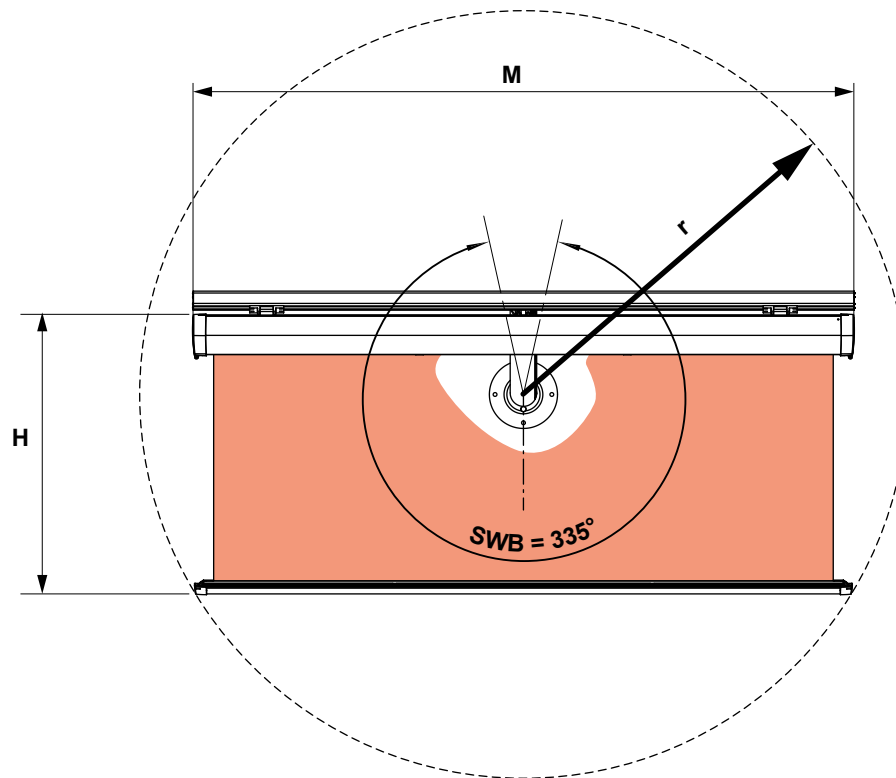


ERP = locking point
 SWB = rotation range
 H = back

L = left
 R = right
 V = front

Turning radii of the markilux planet flex

01
02
03
04
05
06
07



N.B! In order to make full use of the rotation range of the markilux planet flex, no object should be placed or left inside the specified radius.

Depending on the model, markilux folding-arm awnings up to 600/610 cm × 300 cm or 500/510 cm × 350 cm can be fitted.

Please refer to the available dimensions of the respective models when ordering!

Turning radii of the markilux planet flex with markilux awnings

markilux ES-1, 6000, 5010, 3300 pur, 1700, 1710,
1300 basic, 990, 930 swing, MX-3

markilux 1600, 1650

		Overall awning width							
		250	300	350	400	450	500	550	600
H	150	163	183	204	226	248	271	294	318
	200	199	215	234	253	273	294	316	338
	250	—	254	269	286	304	323	343	363
	300	—	—	309	324	340	357	375	394
	350	—	—	—	364	379	394	—	—

		Overall awning width							
		260	310	360	410	460	510	560	610
H	150	167	187	208	230	253	276	299	323
	200	202	219	238	257	277	298	320	342
	250	—	257	273	290	308	327	347	367
	300	—	—	312	327	343	360	378	397
	350	—	—	—	367	382	397	—	—

markilux 1700 stretch, 1710 stretch

		Overall awning width							
		150	175	200	225	250	300	350	400
H	150	129	136	—	—	—	—	—	—
	200	172	178	184	191	—	—	—	—
	250	—	222	228	233	240	—	—	—
	300	—	—	273	278	284	295	—	—
	350	—	—	—	325	329	339	351	—

markilux 1600 stretch

		Overall awning width							
		160	185	210	235	360	310	360	410
H	150	132	140	—	—	—	—	—	—
	200	174	180	187	194	—	—	—	—
	250	—	224	230	236	242	—	—	—
	300	—	—	275	280	286	298	—	—
	350	—	—	—	326	331	342	354	—

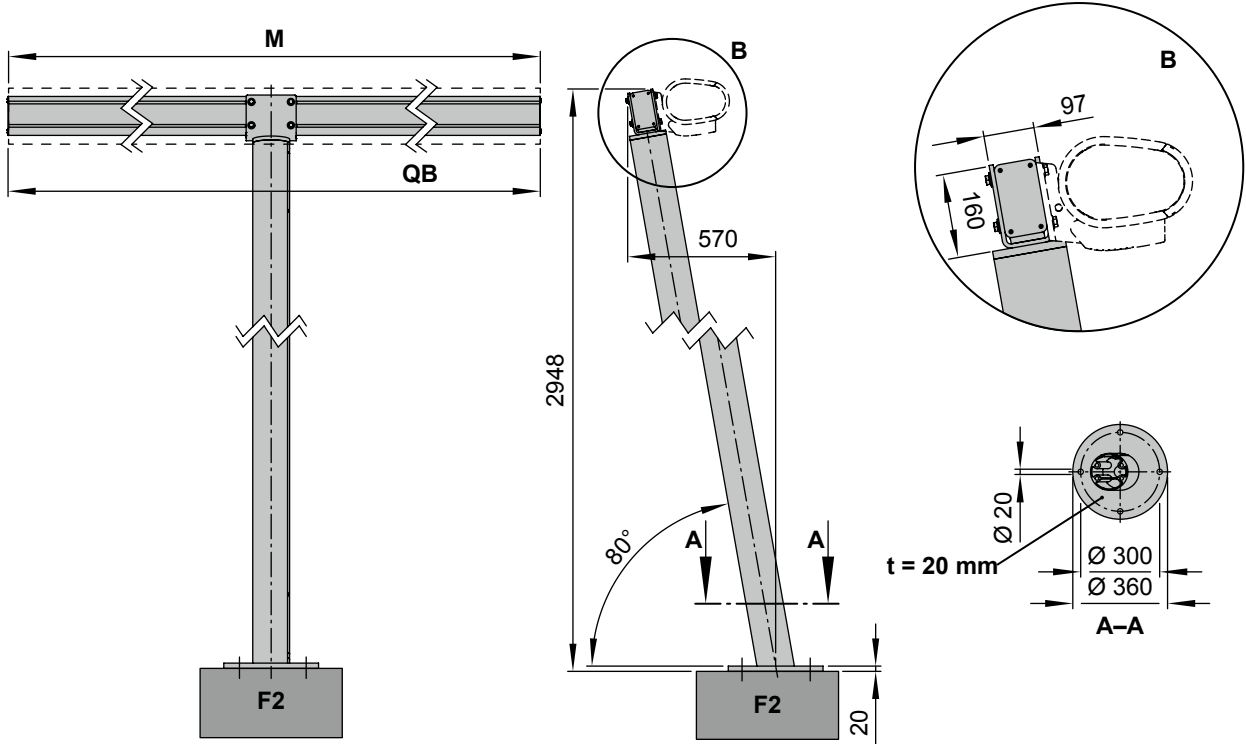
- H = projection
- r = rotation radius
- SWB = rotation range

dimensions in cm

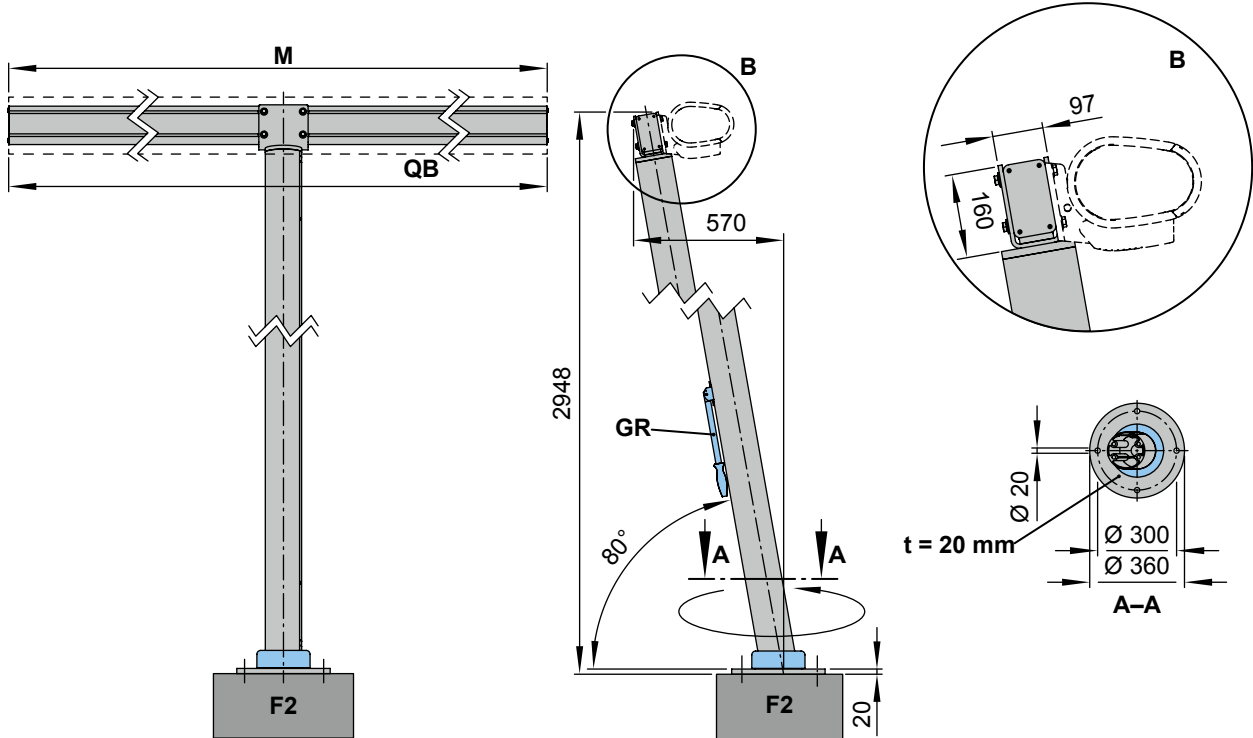
01
02
03
04
05
06
07

Overview of dimensions

markilux planet fix (fixed in place), by way of example with the markilux 6000



markilux planet flex (can be rotated), by way of example with the markilux 6000



F2 = concrete foundation with reinforced cage
GR = handle

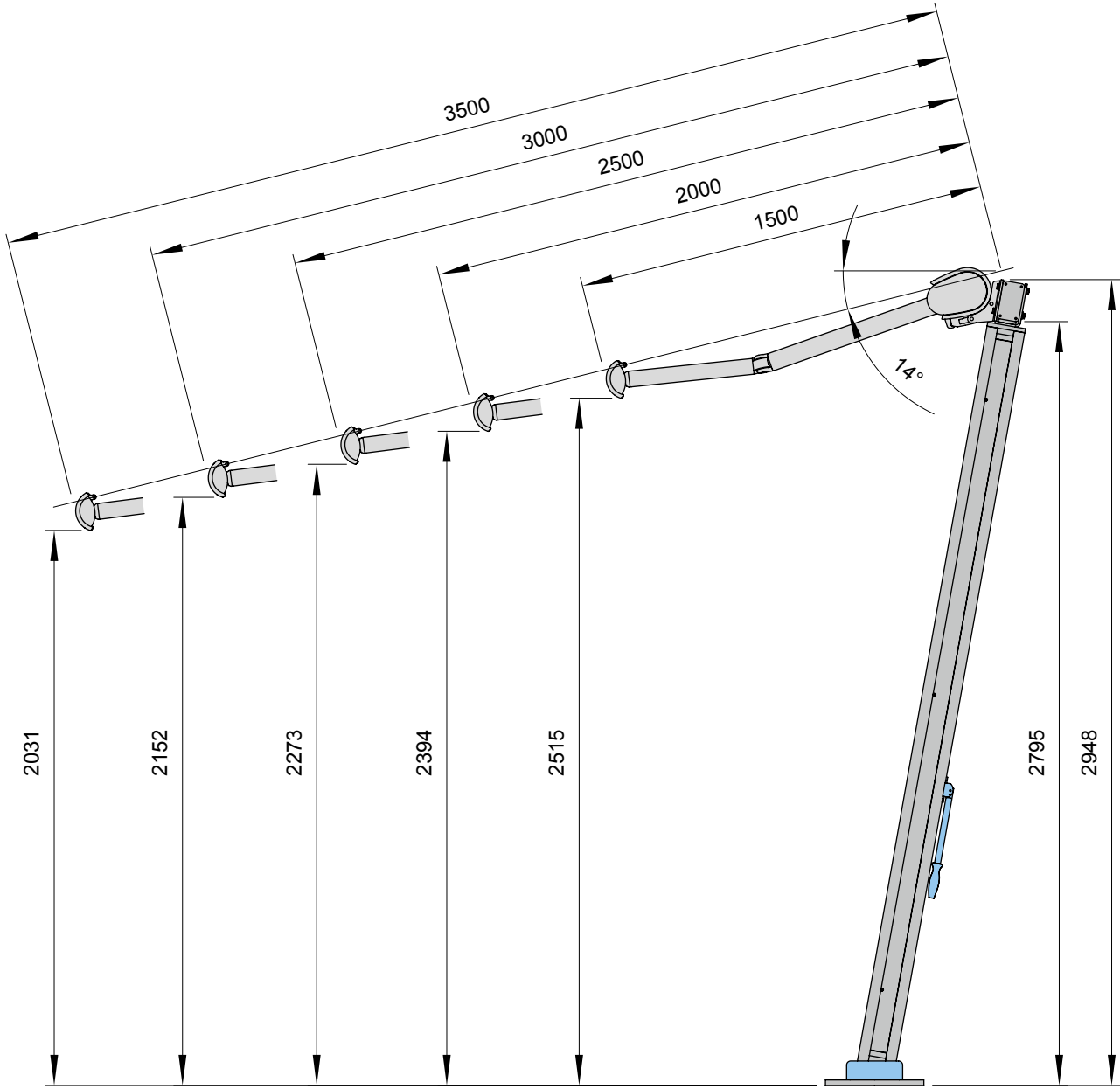
M = *order dimension* = awning width = cross-beam width
QB = length of cross-beam
t = material thickness

dimensions in mm

Headroom in relation to projection in the markilux planet fix and planet flex

markilux planet fix – markilux planet flex

- 01
- 02
- 03
- 04
- 05**
- 06
- 07

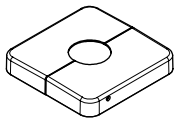


dimensions in mm

01
02
03
04
05
06
07

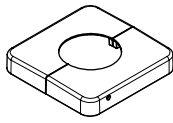
Overview of dimensions

Base covers



base cover for the markilux planet fix

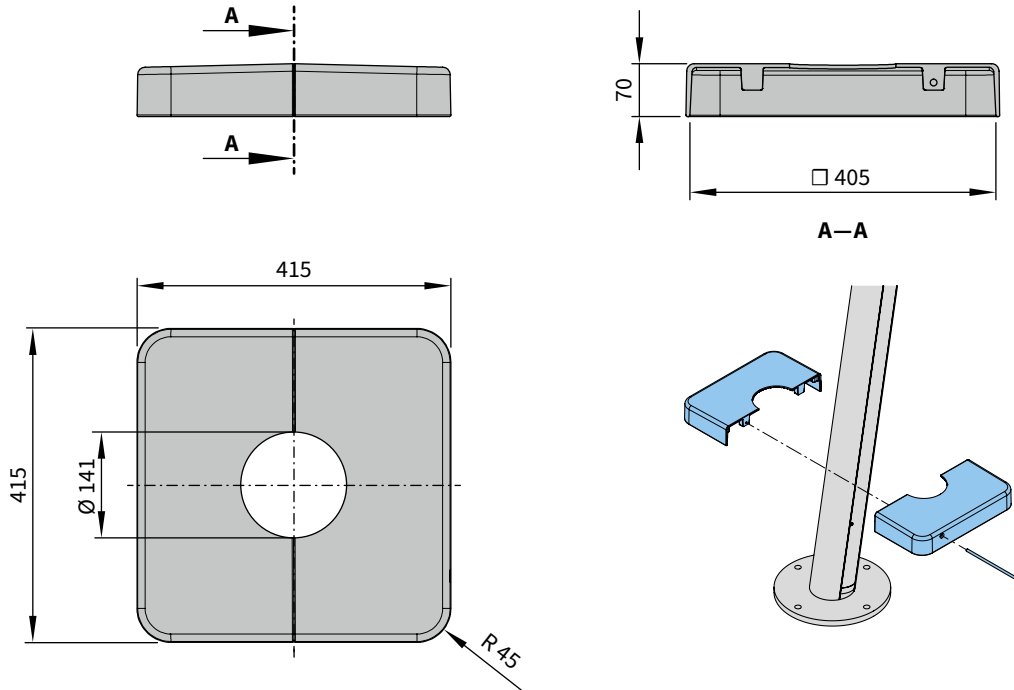
72265.



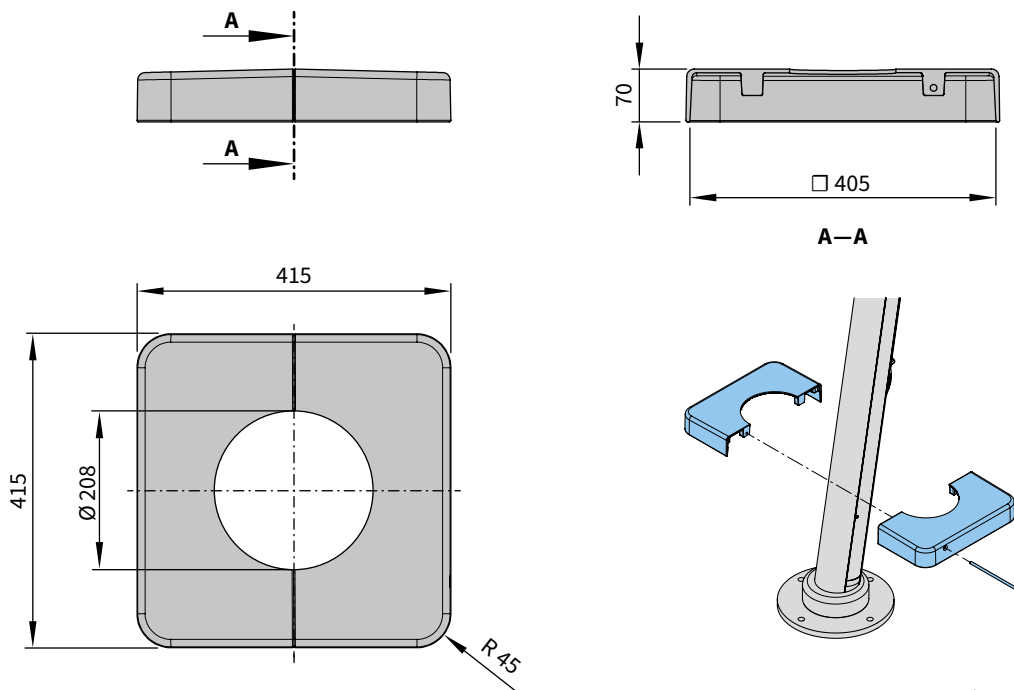
base cover for the markilux planet fix

72264.

Base cover for the markilux planet fix



Base cover for the markilux planet flex



dimensions in mm