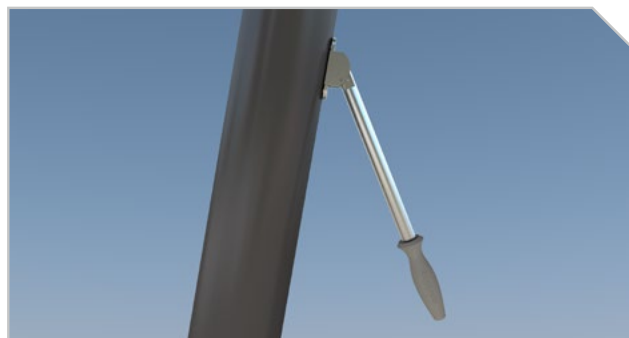
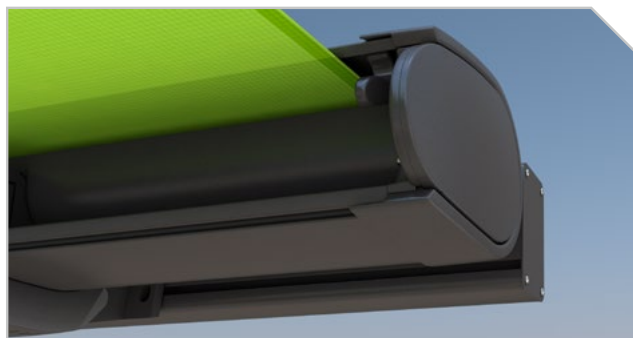




markilux planet by Aquarius Blinds

Well shaded – thanks to this innovative markilux awning shading system



Design Features

the ideal way to uniquely personalise your favourite spot in the garden or even in hotels or restaurants

functional, unique appearance, elegant design

the appearance of the markilux planet harmonises perfectly with the "body language" of markilux folding-arm awnings

the markilux planet is available in three standard colours as well as four Lounge colours

the extensive range of colours and the 250 fabric patterns in the markilux collection mean that the range of options is virtually unlimited

Technical Specification

available in two versions: fixed in place as the markilux planet fix or optionally as the markilux planet flex which can be rotated by up to 335°.

the markilux planet flex – simple adjustment by way of the Easy-Go turn/lever mechanism

installation of the markilux planet requires the laying of a concrete footing

depending on the model, folding-arm awnings up to 600/610 cm × 300 cm or 500/510 cm × 350 cm can be fitted

Optional Accessories









for individual awning model descriptions as well as the available colours, optional accessories and bespoke options please consult the current markilux sales documentation for markilux patio & balcony awnings

polyester powder coating in non-standard colours is available to individual order (prices on request, longer lead time)

the markilux planet flex can be rotated by virtue of the Easy Go turn/lever mechanism

the markilux shadeplus is available in accordance with the awning model and size

Frame colours

	standard	optional
traffic white RAL 9016		
metallic aluminium RAL 9006		
grey brown similar to RAL 8019		
off-white textured finish 5233		
stone grey metallic 5215		
anthracite metallic 5204		
Havana brown textured finish 5229		
non-standard powder-coated finish		

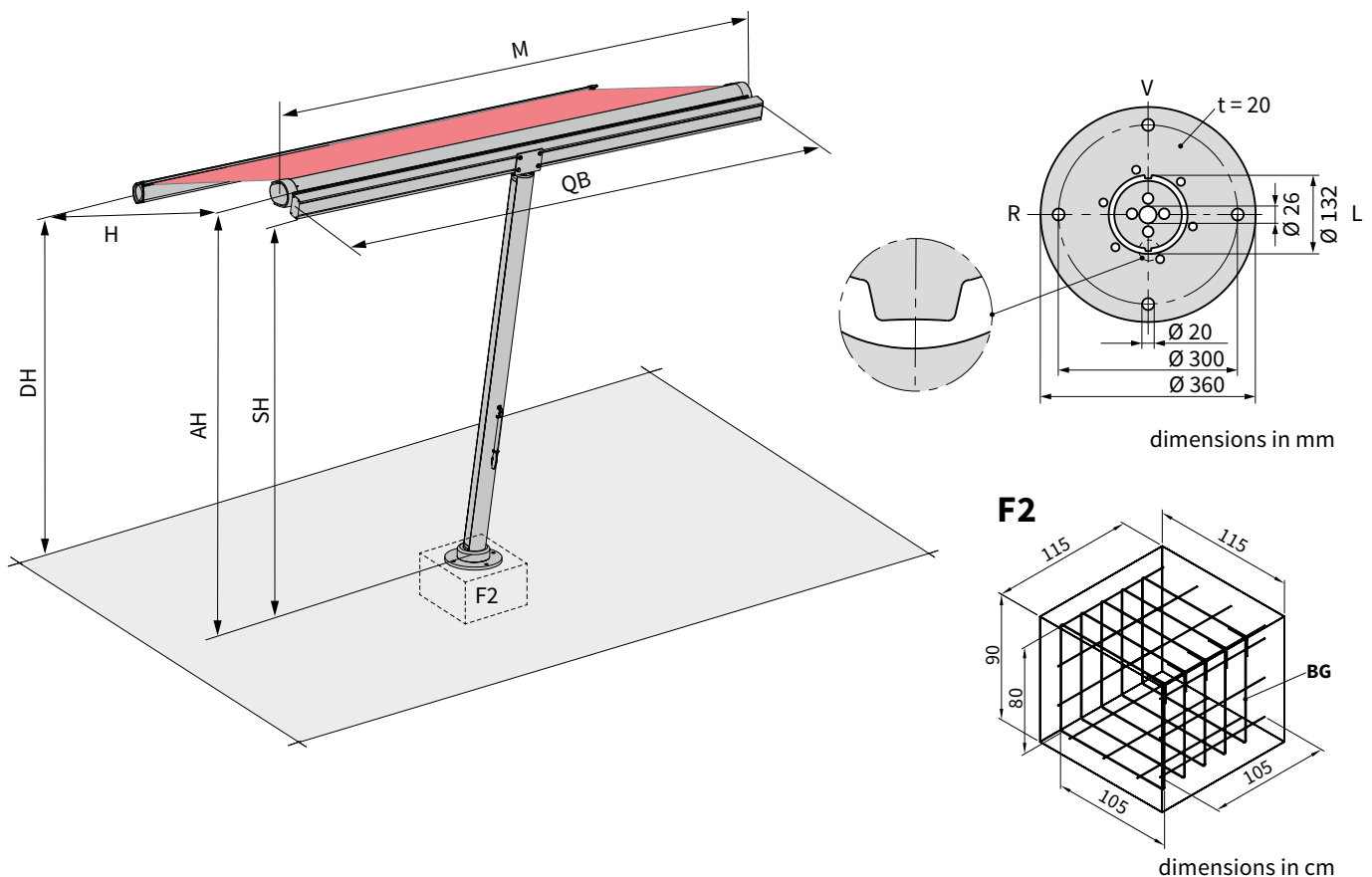
Fabrics, Operation, Drive options, Dimensions and tolerances / Miscellaneous

This data depends on the individual awning model. These are detailed in the technical documentation relating to each specific model.

On site the following have to be prepared as per the drawing for every post:

- concrete footings (**F2**) with a compressive strength of C25/30 (previously known as B25) using an armoured cage made of rebar matting Q188
- Base plate to be fixed to the concrete footing (**F2**) using Fischer stainless steel anchor bolts FAZ II 16/50 and a washer certified to DIN 9021 (or equivalent)
- Observe the installation instructions of the appropriate manufacturer!

TIP: In order to supply power to the awning through the base plate and the support post, a channel through the concrete footing should be planned in advance. Alternatively a power supply cable can be run round the concrete footing and up through the support post.

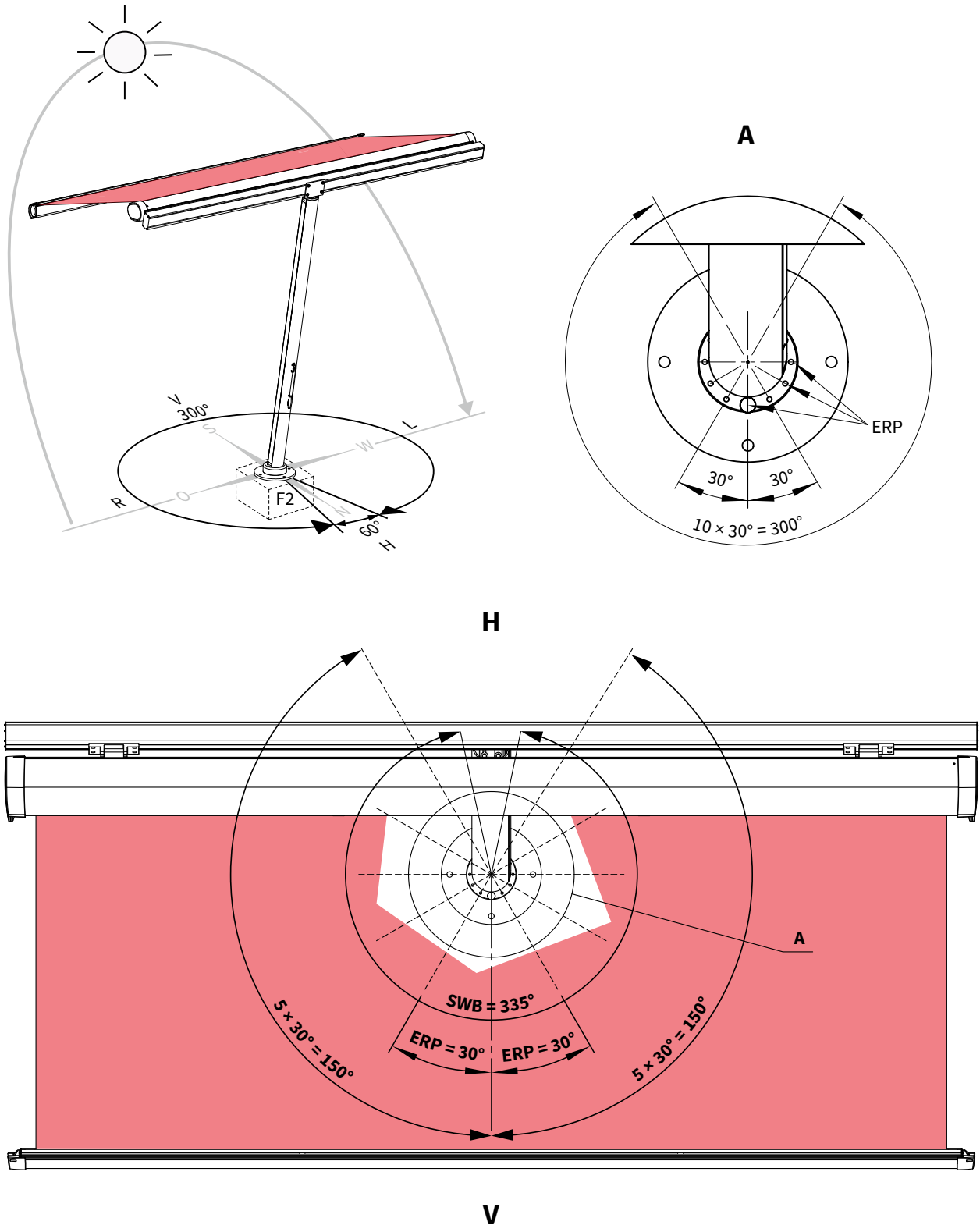


M = overall awning width = length of cross beam
 QB = length of cross beam
 AH = unit height
 DH = headroom
 H = projection
 F2 = concrete footing

SH = support post height
 BG = armoured cage made from rebar matting Q188
 V = front
 R = right
 L = left
 t = material thickness (in mm)

Rotation range of the markilux planet flex

By virtue of the Easy-Go turn/lever mechanism, the markilux planet flex has a predetermined locking range of 300°. In order to make optimum use of the shaded area, the non-shaded 60° area should point away from the midday sun.



SWB = rotation range

ERP = locking point

A = detailed view

H = back

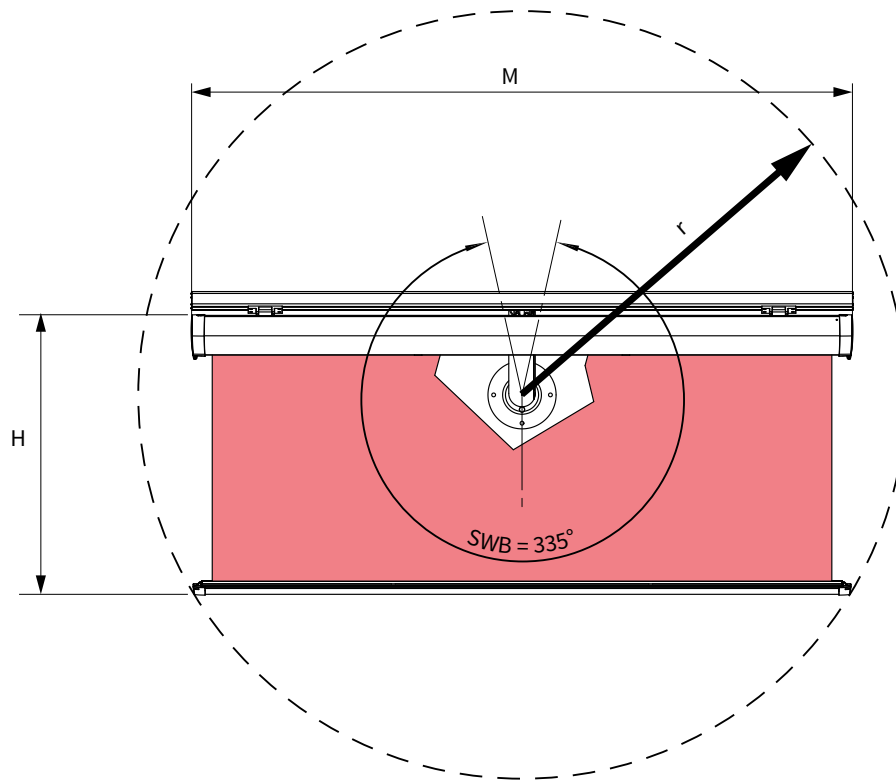
V = front

R = right

L = left

Turning radii of the markilux planet flex

N.B! In order to make full use of the rotation range of the markilux planet flex, no object should be placed or left inside the specified radius.



Turning radii of the markilux planet flex with markilux awnings

markilux ES-1, 6000, 5010, 3300 / 3300 pur,
1700, 1710, 1300 Basic, 990, 930 swing

markilux 1500, 1600, 1650

		M							
		250	300	350	400	450	500	550	600
H	150	163	183	204	226	248	271	294	318
	200	199	215	234	253	273	294	316	338
	250		254	269	286	304	323	343	363
	300			309	324	340	357	375	394
	350				364	379	394		

		M							
		260	310	360	410	460	510	560	610
H	150	167	187	208	230	253	276	299	323
	200	202	219	238	257	277	298	320	342
	250		257	273	290	308	327	347	367
	300			312	327	343	360	378	397
	350				367	382	397		

 = r

Turning radii of the markilux planet flex with markilux stretch awnings

markilux 1600 stretch

markilux 1700 stretch, 1710 stretch

		M							
		150	175	200	225	250	300	350	400
H	150	129	136						
	200	172	178	184	191				
	250		222	228	233	240			
	300			273	278	284	295		
	350				325	329	339	351	

		M							
		160	185	210	235	260	310	360	410
H	150	132	140						
	200	174	180	187	194				
	250		224	230	236	242			
	300			275	280	286	298		
	350				326	331	342	354	

 = r

SWB = rotation range

M = overall awning width

ERP = locking point

H = projection (awning pitch 0°)

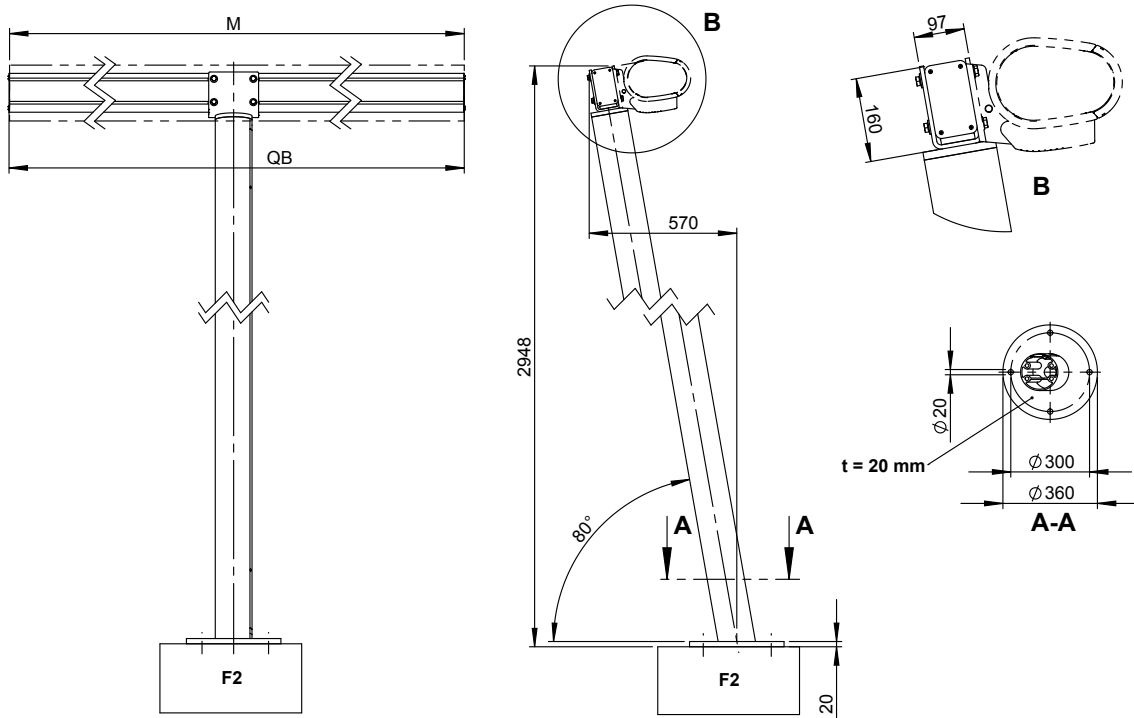
r = detailed view

dimensions in cm

Dimension overviews

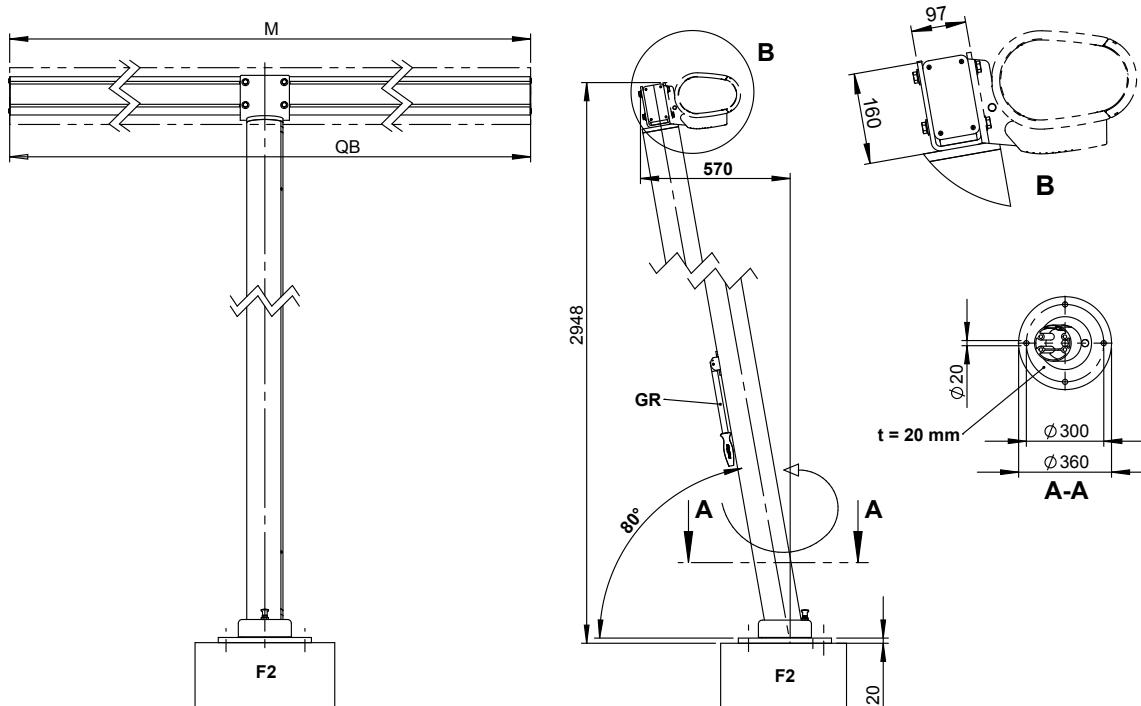
Dimension overview markilux planet fix (fixed in place)

Illustrated by way of the markilux 6000



Dimension overview markilux planet flex (can be rotated)

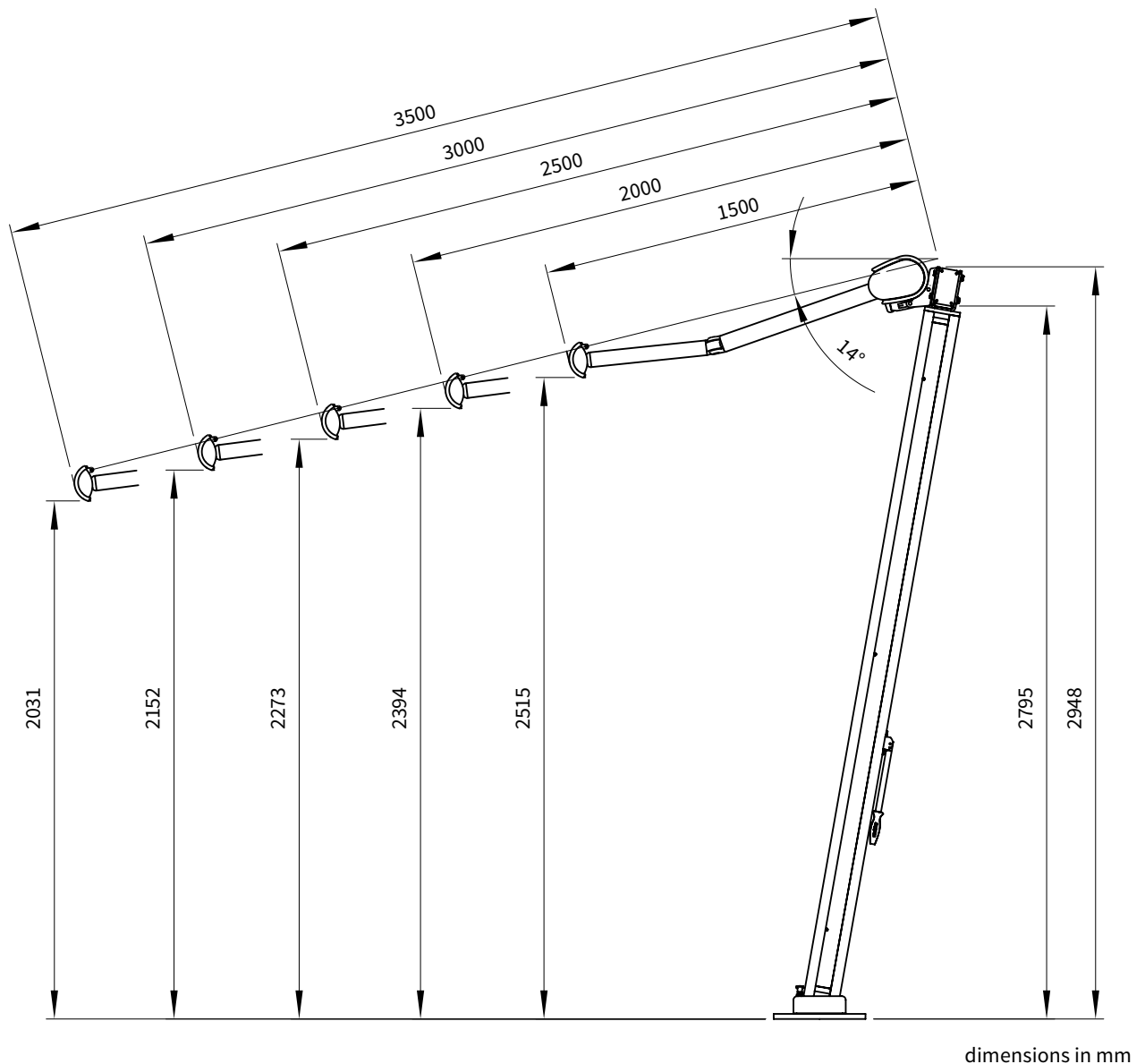
Illustrated by way of the markilux 6000



- M = overall awning width = length of cross beam
- QB = length of cross beam
- F2 = concrete footing with armour matting basket
- t = material thickness

- GR = handle
- B = detailed view
- A-A = in cross section

Headroom in relation to projection in the markilux planet fix and markilux planet flex



Aquarius Blinds
Unit 1
245 Church Road
Mitcham
Surrey
CR4 3BH

0800 953 0199
www.aqblinds.co.uk