



Open style folding-arm awning

## **markilux 930**

The designer awning with unique pitch adjustment mechanism.

# markilux by Aquarius Blinds



reddot design award  
honourable mention 2009

[www.aqblinds.co.uk](http://www.aqblinds.co.uk) - 0800 953 0199

**markilux**  
safe timeless beautiful

01  
02  
03  
04  
05  
06  
07  
08  
09  
10  
11  
12

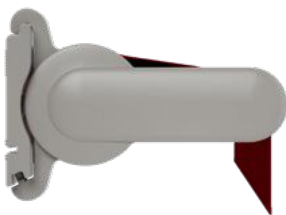
# Product characteristics

Wind resistance class 2  
Beaufort 5 → 7.5–10.4 m/s → 28–37 km/h → 17–23 mph

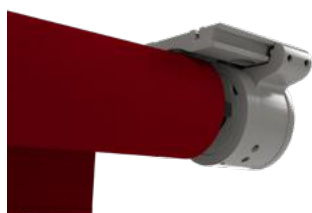


13  
14  
15  
16  
17

**1** face fixture



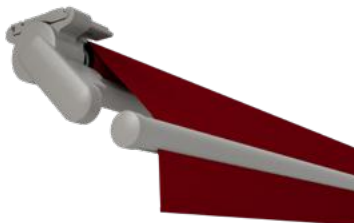
**1** top fixture view from the rear



**1** top fixture



**●** during extension, pitch at 45°



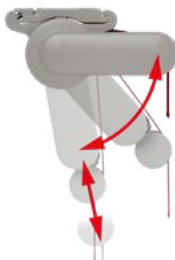
**2** manual gearbox operation



**●** during extension, maximum pitch of 80° (motor operation <sup>1)</sup>)



**3** pitch adjustment range from 5°–80° (motor operation <sup>1)</sup>)



**4** twin steel-link chain corrosion protected



1) optional configuration

# Product characteristics

## Description

- finely finished, open style awning with excellent design characteristics. Ideally suited to top fixture or installation under overhanging roofs, balconies etc..

## Special features

- self-supporting cassette profile construction, the brackets being installed at each end of the awning – also suitable for bridging larger distances
- the compact awning height and the tilt mechanism (patent applied for), which means that the awning invariably closes horizontally, makes the awning look very slender
- tidy appearance because the awning closes in a horizontal position regardless of the pre-set pitch
- with a maximum pitch of 80° the awning can be set at a very steep angle

## Dimensions

- awning in the standard version: depth 286 mm, height 122 mm
- single unit: minimum width 178 cm at the smallest projection of 150 cm, maximum width 500 cm at the largest projection of 300 cm

## Roller tube and lateral bearings

- round roller tube Ø 85 mm with keyway, galvanised steel – excellent stability, ensures near perfect cover performance even at the largest widths
- the arm bearer is made of die-cast aluminium, powder coated, with integrated, infinitely variable pitch setting mechanism

## Awning profiles

- extruded aluminium, in façade quality, powder coated
- circular front profile with integrated valance keyway

## Folding arms

- profiles in extruded aluminium, in façade quality, powder coated
- moving parts made of drop-forged aluminium – the arms are therefore extremely fracture resistant
- pivot bolts stainless steel, running in teflon-coated bronze bushes – practically maintenance free, virtually silent and hard-wearing
- power transference via corrosion-protected twin steel-link chains at the elbow joint

## Side caps

- the front profile end caps are made of high-quality plastic, powder coated

## Fixture brackets

- face fixture, top fixture
- extruded aluminium, powder coated
- also available in individual widths (on request)
- pitch range 5°–80° (motor) or 5°–25° (gearbox operation), 26°–55° (gearbox operation, from the rear)
- spacer plates, stand-off brackets and other accessories are available

01

02

03

04

05

06

07

08

09

10

11

12

**13**

14

15

16

17

01  
02  
03  
04  
05  
06  
07  
08  
09  
10  
11  
12  
13  
14  
15  
16  
17

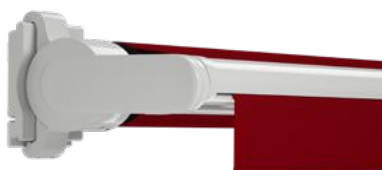
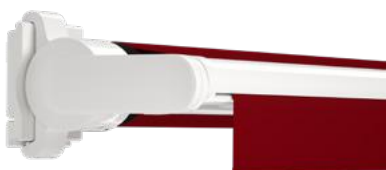
## Frame and end cap colours

markilux frame colours without surcharge

traffic white RAL 9016

metallic aluminium RAL 9006

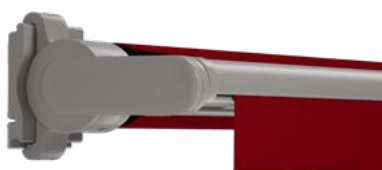
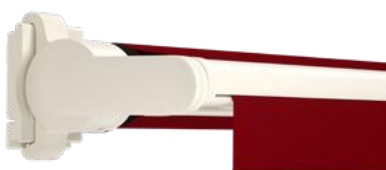
grey brown, similar to RAL 8019



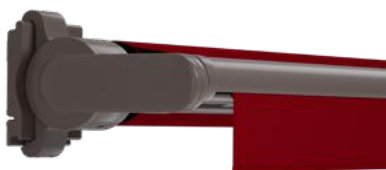
off-white textured finish, 5233 <sup>1)</sup>

stone grey metallic, 5215 <sup>1)</sup>

anthracite metallic, 5204 <sup>1)</sup>



Havana brown textured finish, 5229 <sup>1)</sup>



### Non-standard powder-coated finish

Bespoke frame colours at a surcharge – matt, metallic and pearl finishes as well as other colour ranges (DB, Tiger etc.) on request. All frame colours are available at a surcharge with enhanced corrosion protection.

<sup>1)</sup> textured finish

Colours may differ slightly from those depicted in both hue and finish.

# Dimensions and configuration options


Single unit

		Overall awning width						Minimum width	
		250	300	350	400	450	500	Motor	Crank handle
<b>Order dimensions</b>		178	251	301	351	401	451		
		250	300	350	400	450	500		
<b>H</b>	150	1) <sup>1)</sup>						178	178
	200	1) <sup>1)</sup>						228	228
	250	—	1) <sup>1)</sup>					278	278
	300	—	—	1) <sup>1)</sup>				328	328

dimensions in cm

1) = please note the minimum widths!

H = projection

 = 2 standard arms,  
2 fixture brackets

Operation	standard	optional
crank handle	✓	—
spring-assisted crank handle	—	✓
hard-wired motor	—	✓
silentec motor (optionally with an external io / RTS receiver)	—	—
radio-controlled motor io, 868 MHz <sup>1)</sup>	—	✓
radio-controlled motor RTS, 433 MHz <sup>1)</sup>	—	✓
radio-controlled motor RTS, 433 MHz with manual override	—	—

1) standard motor with external receiver

Coupled Awning
not available

Awning cover	fabric range no.	standard	optional
sunvas	301.. / 309..-315..	✓	—
perla	370 ..	—	✓
sunsilk	324.. / 325.. / 328.. / 369..	✓	—
perla FR	374.. / 375..	—	✓
perfotex	331.. / 332..	—	—
transolair	338..	—	—
vuscreen Alu	317..	—	—
Soltis Perform 92	92-20..	—	—
glass fibre screen	272..	—	—
valance, height 10 cm		✓	—

Shadeplus / drop valance
not available

01  
02  
03  
04  
05  
06  
07  
08  
09  
10  
11  
12  
13  
14  
15  
16  
17

01  
02  
03  
04  
05  
06  
07  
08  
09  
10  
11  
12  
13  
14  
15  
16  
17

### Optional accessories

infrared heater 2500 W
infrared heater 2500 W with integrated radio-controlled receiver 868 MHz io
LED spotline – light bar 110 × 70 mm with 5 W LED spotlights, width 180 cm / 3 spots or 300 cm / 5 spots
LED Spotline io – light bar 110 × 70 mm with 5 W LED spotlights with integrated dimmable radio-controlled receiver. 180 cm / 3 spots or 300 cm / 5 spots
automatic controls (light, wind, rain)

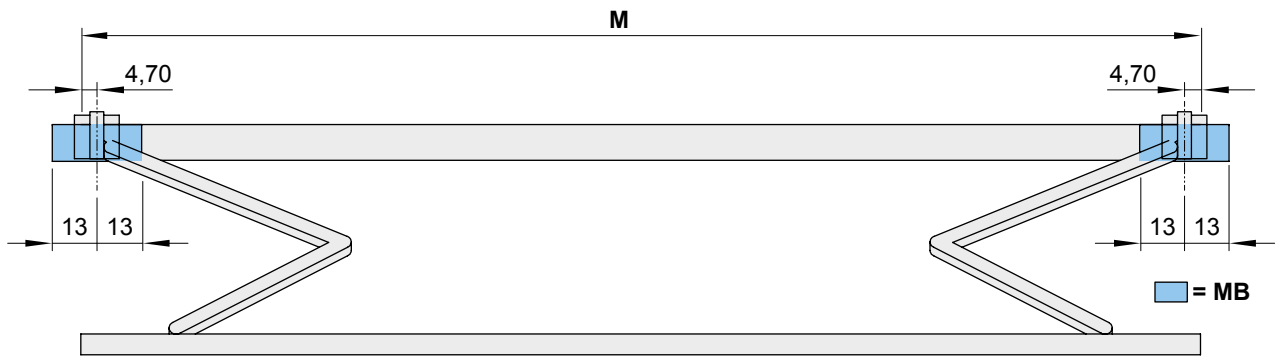
**N.B!** Important background information can be found in the chapter “Optional Accessories”.

### Fixture brackets

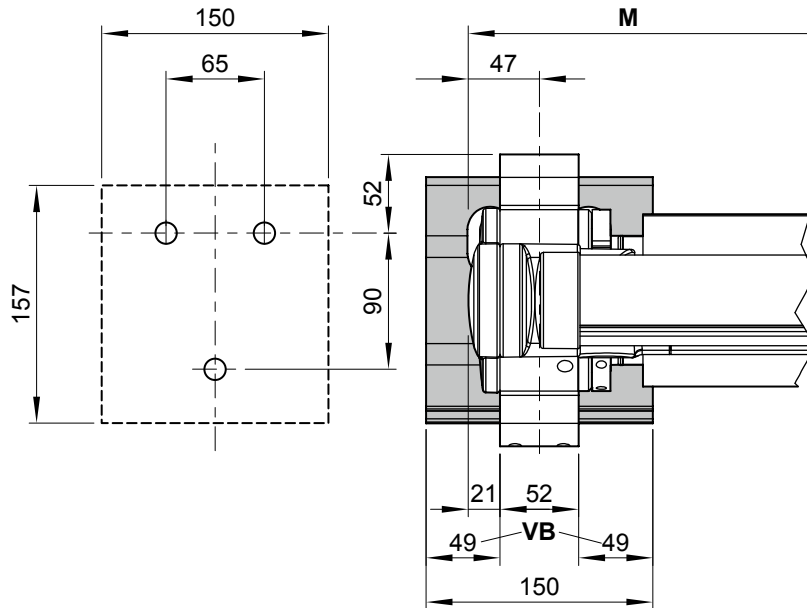
face fixture bracket 150 mm	71624.
face fixture bracket 300 mm L	70617.
face fixture bracket 300 mm R	70600.
spreader plate A 430 × 160 × 12 mm	75326.
spreader plate B 300 × 400 × 12 mm	75325.
markilux panel 250 × 230 × 49 mm	76308.
markilux panel continuous	76380.
stand-off bracket 80–300 mm	77968.
top fixture bracket 150 mm	71624.
top fixture bracket 300 mm L	70617.
top fixture bracket 300 mm R	70600.

# Bracket fixture range

Awning with 2 folding arms



Face fixture



dimensions in cm

dimensions in mm

		Overall awning width					
		250	300	350	400	450	500
Order dimensions		180	251	301	351	401	451
		250	300	350	400	450	500
	BHT	No. of brackets   No. of fixing points					
W	15	2   6					
BP		A 2   16 B 2   8					
PA		2   8					
DE	15	2   6					

If the brackets cannot be positioned in accordance with this table, make sure the actual measurements are noted on the order form!

The **pull-out forces** necessary for determining the correct fixing materials necessary to meet wind resistance class 2 (Beaufort 5) can be found in the password-protected dealer area of the markilux.com website under „Pull-out Forces“.

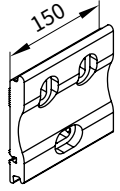
- BHT** = bracket width
  - BP** = spreader plate (A / B)
  - DE** = top fixture bracket
  - H** = *order dimension* = projection
  - M** = *order dimension* = awning width
  - MB** = bracket fixture range
  - VB** = adjustment range face fixture bracket
  - PA** = markilux panel, fixture profile, width 250 mm
  - W** = face fixture bracket
- dimensions in cm

01  
02  
03  
04  
05  
06  
07  
08  
09  
10  
11  
12  
13  
14  
15  
16  
17

01  
02  
03  
04  
05  
06  
07  
08  
09  
10  
11  
12  
13  
14  
15  
16  
17

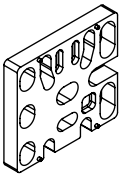
# Face fixture

## Fixtures, fittings and accessories



face fixture bracket  
150 mm

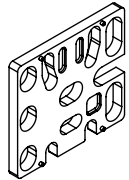
**71624.**



spacer plate for face fixture  
150 × 136 × 20 mm

**Attention!**  
stack to a max. height of  
200 mm

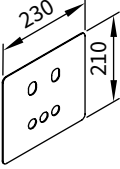
**716331**



spacer plate for  
face fixture

150 × 136 × 12 mm

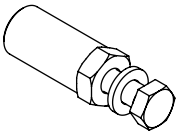
**71644.**



cover plate  
for spacer plate  
and stand-off brackets  
in the case of external  
insulation

230 × 210 × 2 mm

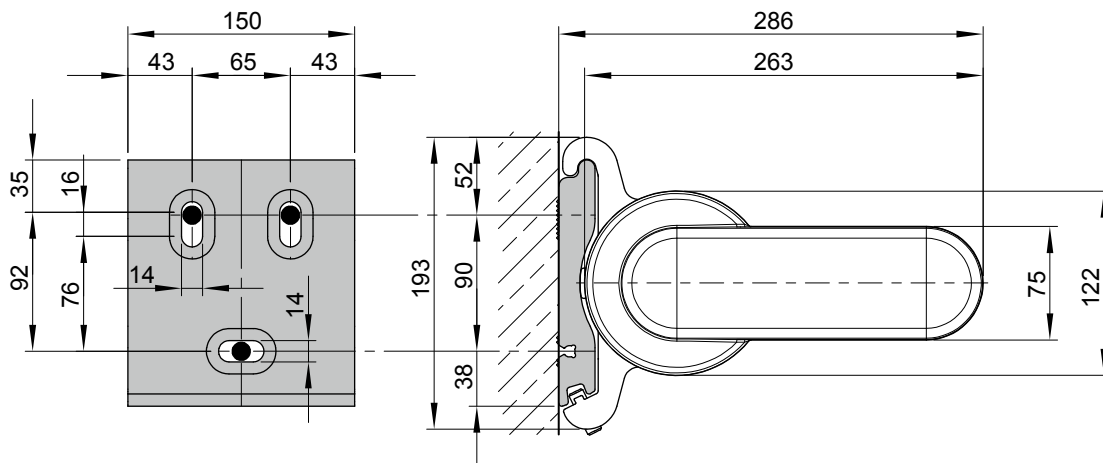
**71843.**



bolt reduction assembly

pack 10 pcs

M 16 → M 12 | M 16 → M 10 | M 12 → M 10 | M 10 → M 10



dimensions in mm

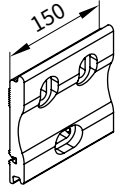




01  
02  
03  
04  
05  
06  
07  
08  
09  
10  
11  
12  
**13**  
14  
15  
16  
17

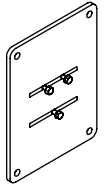
# Face fixture with spreader plate B

Fixtures, fittings and accessories



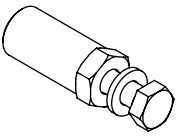
face fixture bracket  
150 mm

**71624.**



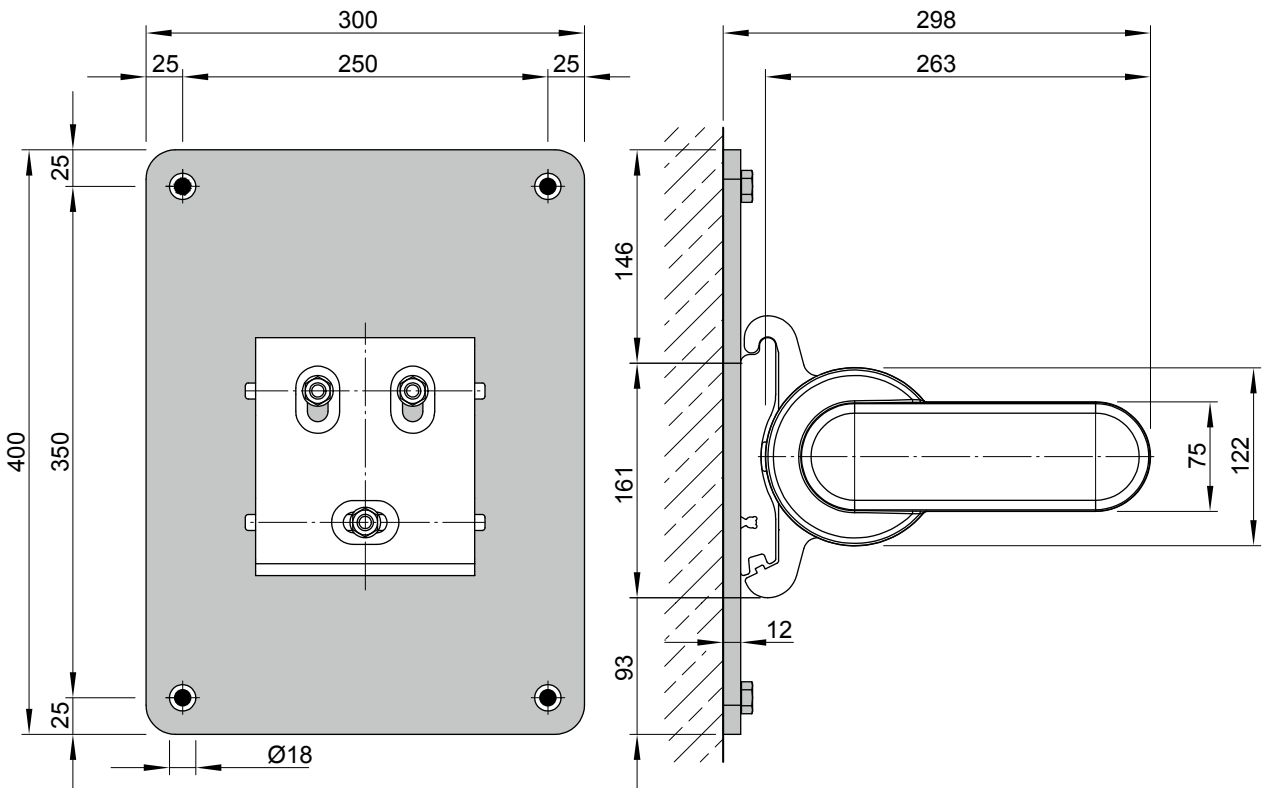
spreader plate B  
300 × 400 × 12 mm

**75325.**



bolt reduction assembly  
pack 10 pcs

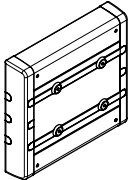
M 16 → M 12 | M 16 → M 10 | M 12 → M 10 | M 10 → M 10



dimensions in mm

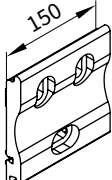
# Face fixture with markilux panel 250 mm

Fixtures, fittings and accessories



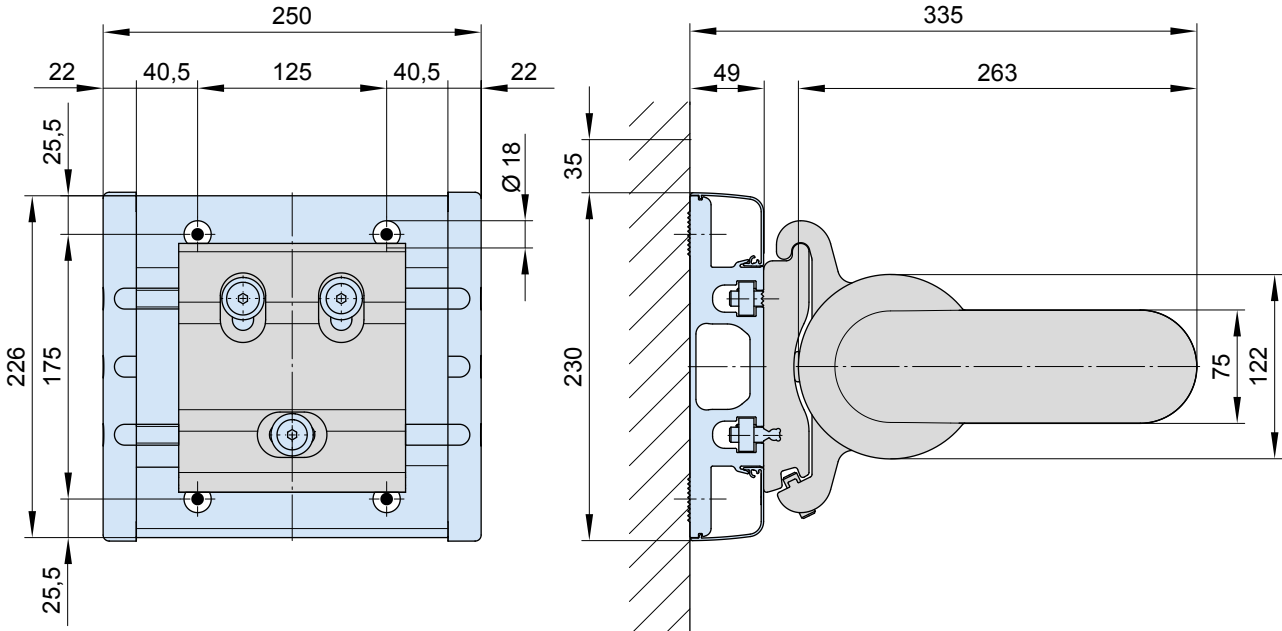
markilux panel  
fixture profile,  
wide with cover profiles  
and end caps  
250 × 230 × 49 mm

**76308.**



face fixture bracket  
150 mm

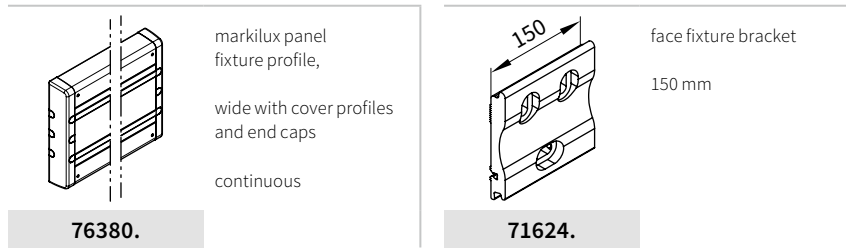
**71624.**



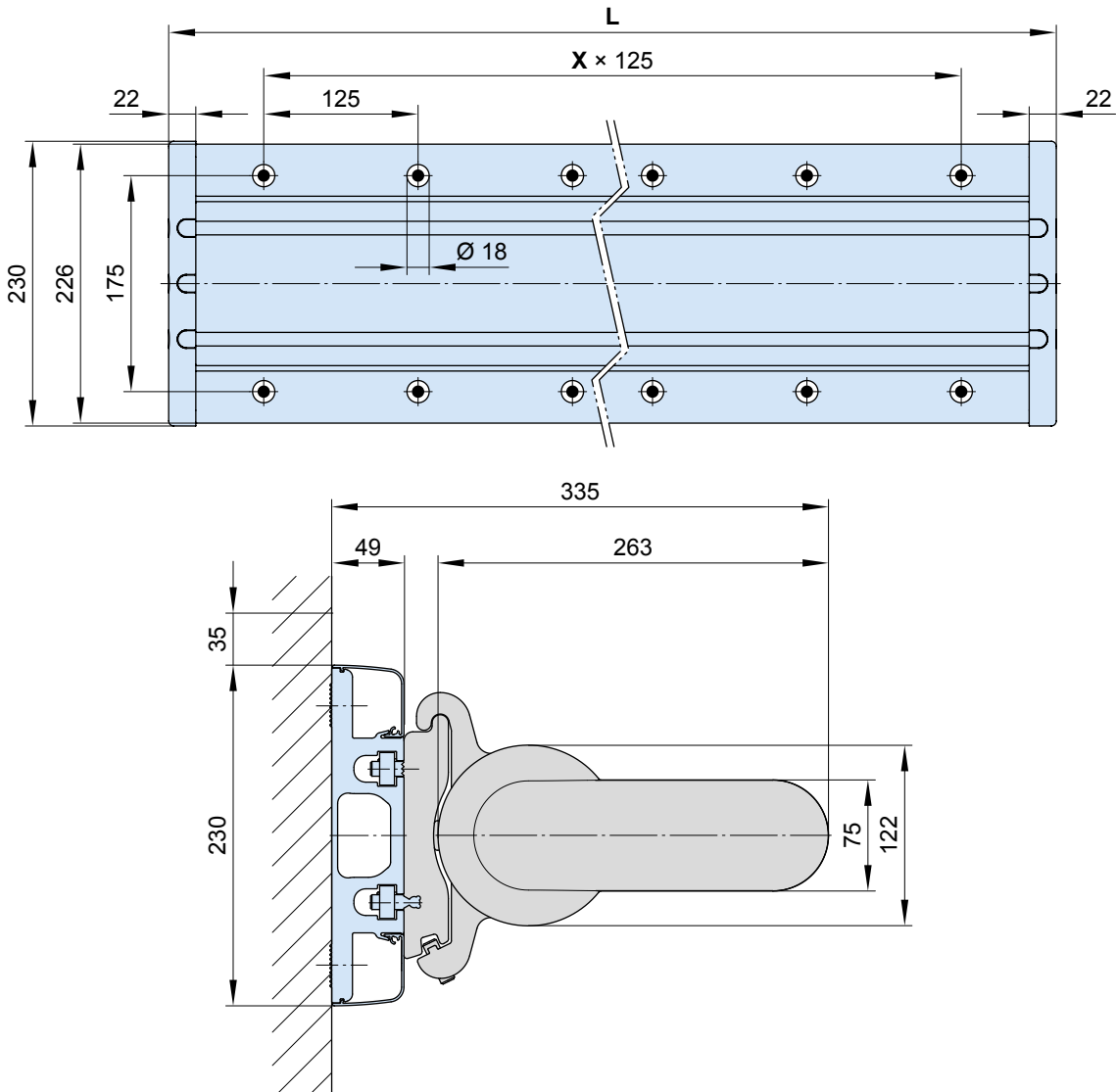
01  
02  
03  
04  
05  
06  
07  
08  
09  
10  
11  
12  
**13**  
14  
15  
16  
17

01 **Face fixture with markilux panel continuous**

02 **Fixtures, fittings and accessories**



06 As a **continuous fixture profile**, the markilux panel will always be supplied to order on the basis of a technical drawing prepared in the factory in accordance with the awning specification.

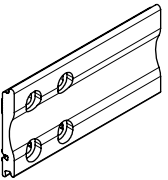


L = individual width, max. 7000 mm

X = fixing point separation, **by way of example**

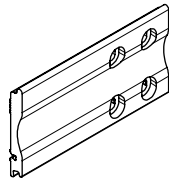
# Face fixture with stand-off bracket

Fixtures, fittings and accessories



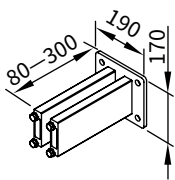
face fixture bracket left  
300 mm

**70617.**



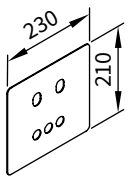
face fixture bracket right  
300 mm

**70600.**



stand-off bracket  
for face-fixture bracket  
70617. and 70600.

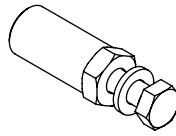
**77968.**



cover plate  
for spacer plate  
and stand-off brackets  
in the case of external  
insulation

230 × 210 × 2 mm

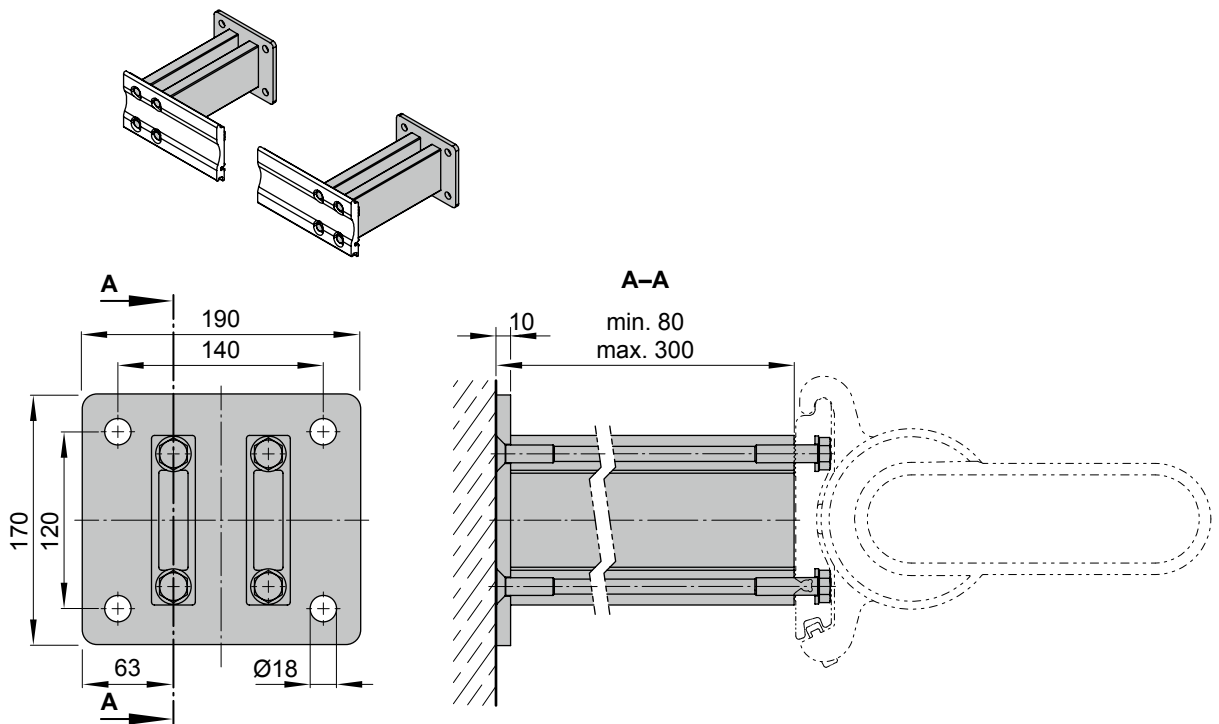
**71843.**



bolt reduction assembly  
pack 10 pcs

M 16 → M 12 | M 16 → M 10 | M 12 → M 10 | M 10 → M 10

- 01
- 02
- 03
- 04
- 05
- 06
- 07
- 08
- 09
- 10
- 11
- 12
- 13**
- 14
- 15
- 16
- 17

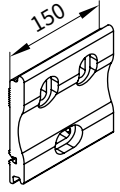


dimensions in mm

01  
02  
03  
04  
05  
06  
07  
08  
09  
10  
11  
12  
13  
14  
15  
16  
17

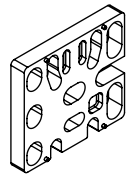
# Top fixture

## Fixtures, fittings and accessories



face fixture bracket  
150 mm

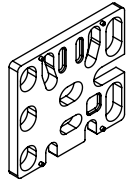
**71624.**



spacer plate for top fixture  
150 × 136 × 20 mm

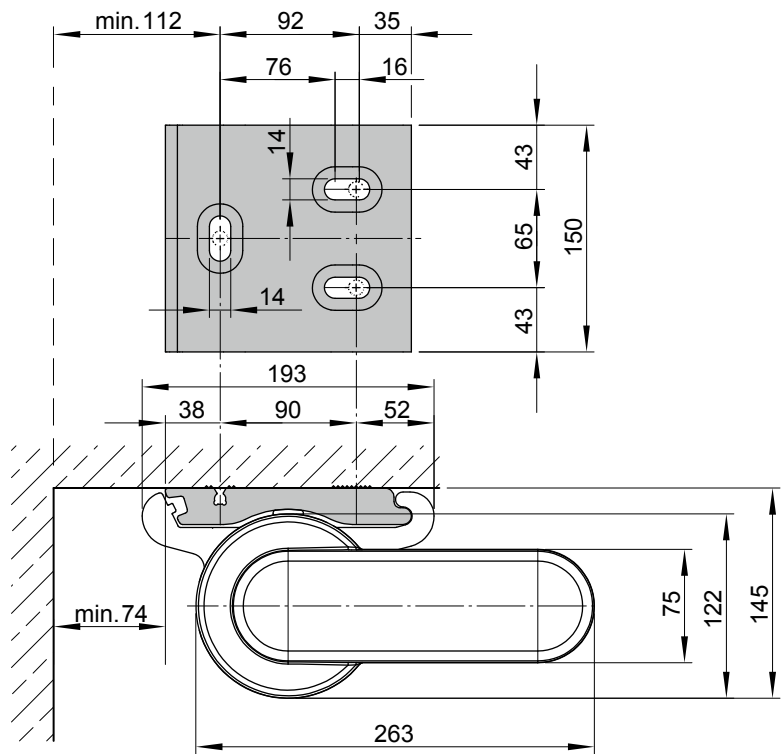
**Attention!**  
stack to a max. height of 200 mm

**716331**



spacer plate for top fixture  
150 × 136 × 12 mm

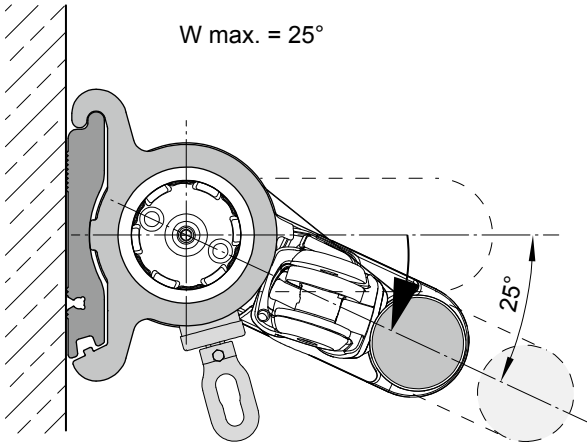
**71644.**



dimensions in mm

Face fixture, manual gearbox operation, pitch 5°-25°

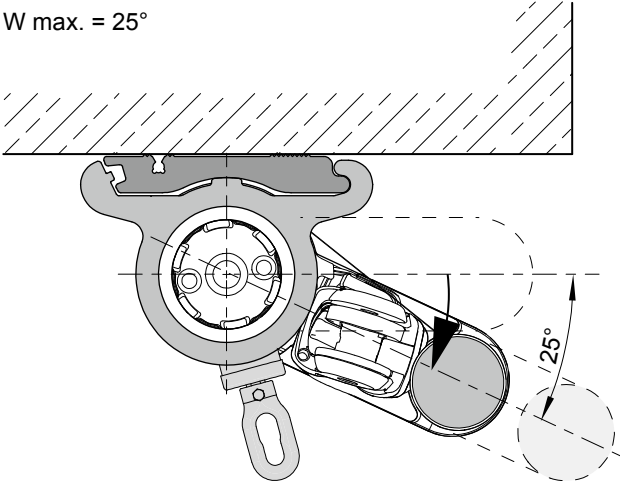
01  
02  
03  
04  
05  
06  
07  
08  
09  
10  
11  
12



**13**

Top fixture, manual gearbox operation, pitch 5°-25°

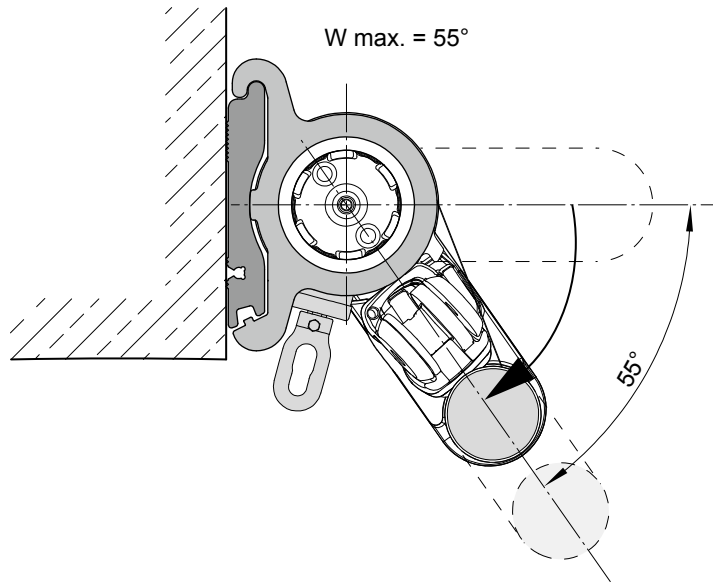
14  
15  
16  
17



01  
02  
03  
04  
05  
06  
07  
08  
09  
10  
11  
12

### Face fixture, manual gearbox operation, max. pitch 55°

Operation from the rear

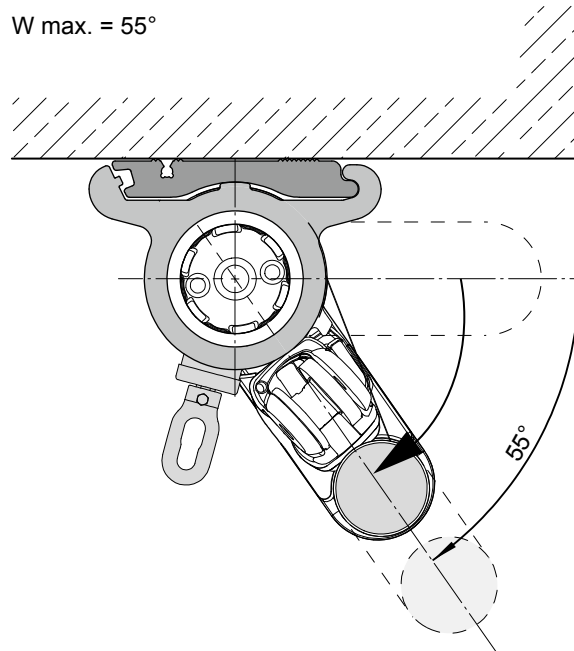


### 13

14  
15  
16  
17

### Top fixture, manual gearbox operation, max. pitch 55°

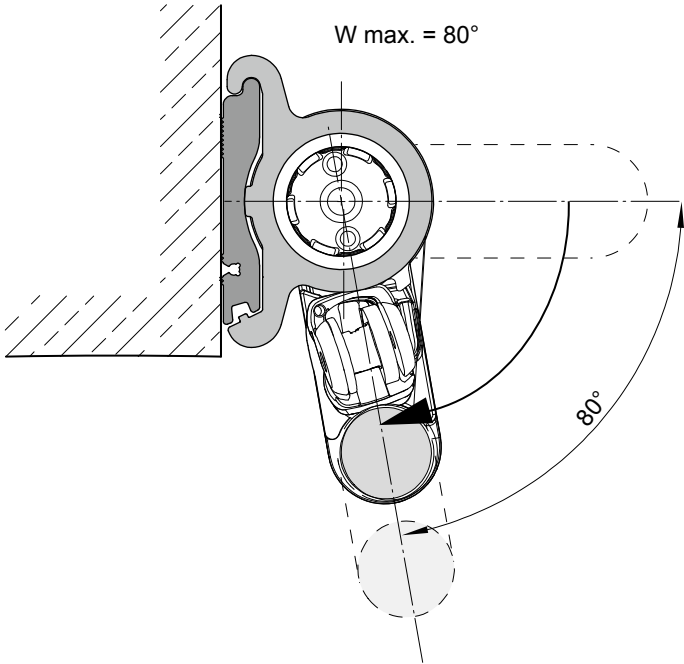
Operation from the rear





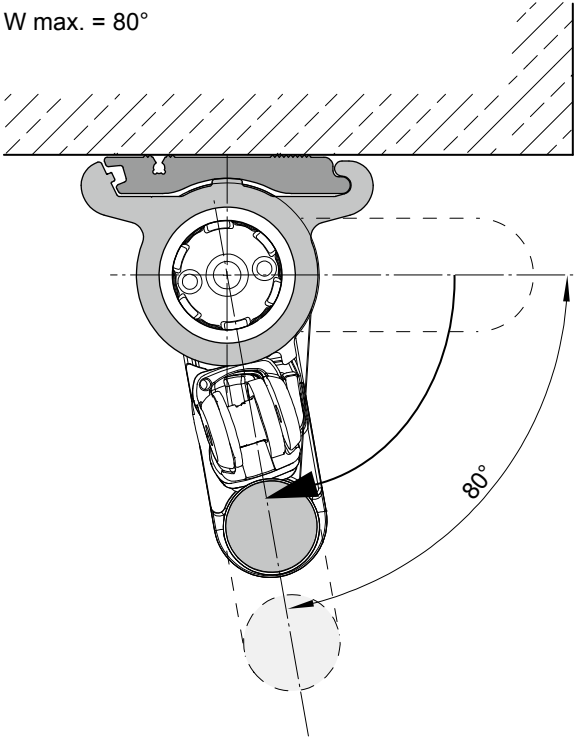
Face fixture, motor operation, pitch 5°-80°

01  
02  
03  
04  
05  
06  
07  
08  
09  
10  
11  
12



Top fixture, motor operation, pitch 5°-80°

**13** ■  
14  
15  
16  
17



01 **Motor cable exit point**

Face fixture

02

03

04

05

06

07

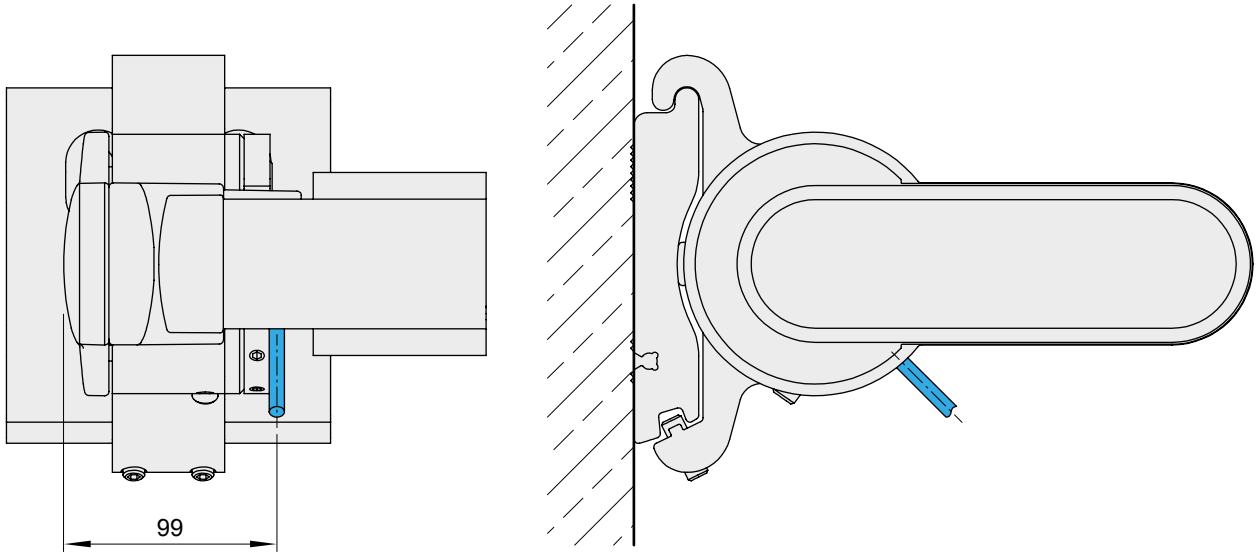
08

09

10

11

12



**13**

14

15

16

17

dimensions in mm