

markilux by Aquarius Blinds

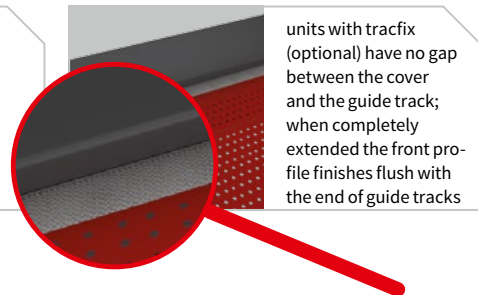
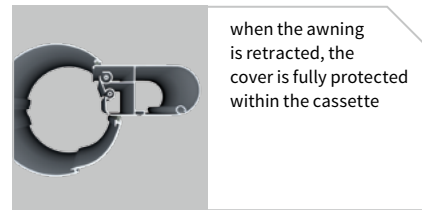
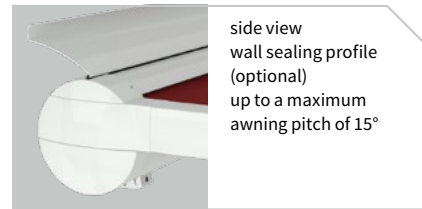
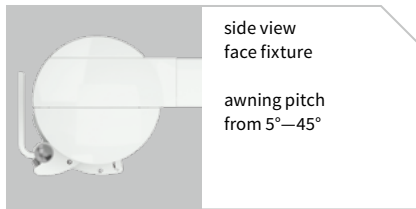


markilux 8800 / 8800 tracfix

Form follows function – the timeless modern conservatory awning with contrasting shapes – designed down to the last detail – optionally with tracfix system

**rated to wind resistance class 3
(corresponds to Beaufort 6)**





Design Features

the round cassette and angular guide tracks harmonise perfectly with one another and with the shapes found in contemporary conservatory design

when fully extended the rounded front profile sits flush with the end of the guide tracks, giving the system a completely closed appearance

when retracted the cover is protected from the weather by the cassette, which encloses it completely

for long-lasting attractiveness the awning has been powder coated

Technical Specification

exterior solar shading so the heat does not get into the conservatory in the first place

by virtue of the especially sturdy construction areas of up to 36m² can be covered safely by one unit with a single cover

permanently high cover tension is achieved by way of two special gas-piston mechanisms operating independently of one another

motor with electronic cut-off mechanism to prevent overheating and damage if the awning is obstructed. (Not in the case of a radio-controlled motor)

brackets with patented clip-on mechanism for simple, problem free installation

Optional Accessories

radio-controlled motor with remote control for comfortable operation, markilux remote control with ergonomic design

wall sealing profile to cover the gap between awning and wall

tracfix system – attractive, completely closed appearance with no annoying gap between the blind cover and the tracks. When completely extended the front profile finishes flush with the end of the guide tracks

to simplify fixture, a broad selection of brackets is available

awning available in non-standard RAL colours

Dimensions and configuration options

		150	200	250	300	350	400	450	500	550	600	650 ¹	700 ¹		
		74 150	151 200	201 250	251 300	301 350	351 400	401 450	451 500	501 550	551 600	601 650	651 700		
	150													60 [67]	70 [77]
	200														
	250														
	300														
	350														
	400 ²	•	•	•	•	•	•	•	•	•	•	•	•		
	450 ²	•	•	•	•	•	•	•	•	•	•	•	•		
	500 ²	•	•	•	•	•	•	•	•	•	•	•	•		
	550 ²	•	•	•	•	•	•	•	•	•	•	•	•		
	600 ²	•	•	•	•	•	•	•	•	•	•	•	•		
	650 ²	•	•	•	•	•	•	•	•	•	•	•	•		
700 ²	•	•	•	•	•	•	•	•	•	•	•	•			

- 1) depending on the fixture combination, an additional central cassette support is required from a fixture width of 601 cm, and a central support for any cover support tube from a fixture width of 451 cm
- 2) from an extension of 401 cm, an additional track bracket per track is required
- 1 cover support tube
 - 2 cover support tubes

= tracfix (optional)

Operation / Drive unit

	standard	optional
hard-wired motor	<input checked="" type="checkbox"/>	—
radio-controlled motor (433 MHz)	—	<input checked="" type="checkbox"/>
silentec	—	<input checked="" type="checkbox"/>
io radio-controlled motor	—	<input checked="" type="checkbox"/>

Frame colours

	standard	optional
traffic white RAL 9016		
metallic aluminium RAL 9006		
anthracite metallic RAL 5204		
grey brown, similar to RAL 8019		
non-standard powder-coated finish		

Covers

	fabric range no.	standard	optional
sunsilk snc	324 xx / 328 xx / 369 xx	<input checked="" type="checkbox"/>	—
sunvas snc	310 xx / 311 xx 313 xx — 315 xx	<input checked="" type="checkbox"/>	—
sunsilk perla FR	374 xx	—	<input checked="" type="checkbox"/>
transolair	338 xx	—	<input checked="" type="checkbox"/>
perfortex	332 xx	<input checked="" type="checkbox"/> 5)	—
sunvas perla	370 xx	—	<input checked="" type="checkbox"/>

Colours similar to those in the RAL chart. Colours may differ slightly from those depicted in both hue and finish.

5) not available in the case of tracfix units

= hard-wired motor

= radio-controlled motor (433 MHz)

MA = fixture width / order width

Min. MA = minimum widths

H = extension

Coupled units

	standard	optional
2 fields	—	<input checked="" type="checkbox"/>
3 fields	—	<input checked="" type="checkbox"/>

Dimensions and tolerances

	width	extension
housing tolerances	+5 / -10 mm	
awning cover width = fixture width	-90 ¹⁾ mm	
blind cover length = extension		± 0 mm

1) dimensions for tracfix units on request

Miscellaneous

	standard	optional
wall sealing profile	—	<input checked="" type="checkbox"/> 2)
tracfix	—	<input checked="" type="checkbox"/>
light and wind sensor	—	<input checked="" type="checkbox"/>

2) up to a maximum awning pitch of 15°

Additional information

The width of the awning cover is always **less** than that of the awning.

Fixture / order width definition: The fixture/order width is the measurement from track centre to track centre i.e. from fixture point to fixture point on the conservatory. The overall width of the awning is 100 mm greater than the fixture width. The fixture width tolerance is + 0 mm / - 20 mm.

Definition of the extension / order extension: The extension is measured with the awning extended from the back of the cassette to the leading edge of the front profile. The tolerance in the extension is + 40 / - 40 mm.

Definition of operating side: the operating side is always given as if seen from the outside (right or left).

In cases of face fixture the **awning can be set at a pitch of between 5° and 45°**. Track-only mounted awnings can be set at **pitches of up to 90°**.

Units which are to run uphill are available upon request.

N.B! If the **motor is used continuously** it will stop automatically after 3 to 4 minutes **to prevent overheating**.

N.B! In contrast to standard motors, **radio-controlled motors** have **no safety cut-out mechanism** if the front profile is obstructed. If this function is desired in combination with radio-controlled operation, order the hard-wired motor with an external radio receiver and an appropriate transmitter.

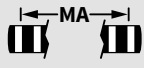
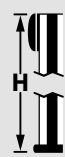
In the case of **a bank of awnings operating simultaneously**, the same speed of rotation of the motors cannot be guaranteed because of the internal tolerances of the motors.

The rate of extension of a single unit with **hard-wired motor** is approximately **11 seconds per metre**.

Depending on the size of the awning, deflection may be in evidence in individual profiles and sections of profile which is completely unavoidable. This affects neither the functionality nor the durability of the awning.

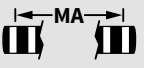
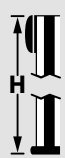
Dimensions and configuration options

Coupled unit, 2 fields, 1 or 2 motors

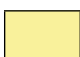
												
		500	600	700	800	900	1000	1100	1200	1300	1400	
		401	501	601	701	801	901	1001	1101	1201	1301	
		500	600	700	800	900	1000	1100	1200	1300	1400	
overall width		+ 10										
	150											
	200											
	250											
	300											
	350											
	400
	450
	500	—
	550	—	—
	600	—	—
650	—	—	—	
700	—	—	—	—	

dimensions in cm

Coupled unit, 3 fields, 2 motors

																		
		600	700	800	900	1000	1100	1200	1300	1400	1500	1600	1700	1800	1900	2000	2100	
		551	601	701	801	901	1001	1101	1201	1301	1401	1501	1601	1701	1801	1901	2001	
		600	700	800	900	1000	1100	1200	1300	1400	1500	1600	1700	1800	1900	2000	2100	
overall width		+ 10																
	150																	
	200																	
	250																	
	300																	
	350																	
	400
	450
	5002)	—
	550	—	—	—
	600	—	—	—
6501)	—	—	—	—	
700	—	—	—	—	—	—	

- 1 cover support tube
- 2 cover support tubes

 = tracfix (optional)

1) 2 cover support tubes; possible up to a max. fixture width of 1650 cm

2) 2 cover support tubes; possible up to a max. fixture width of 1950 cm

dimensions in cm

MA = fixture width / order width
H = extension

Additional information

Coupled conservatory awnings are available up to a **max. width of 3 single units** (3 fields) side by side.

In the case of coupled units with 2 or 3 fields and 2 motors **unequal running speeds** due to tolerances within the motors may occur.

In the case of **coupled units** with **fields of differing sizes** smooth rolling-up behaviour of the covers cannot be guaranteed. This has no bearing on the functionality of the awning or the durability of the cover.

The matrices above assume equal field widths in coupled awnings. If a **coupled unit of unequal field width** is ordered, for which a cover support tube is required on the larger awning, then – if only for aesthetic reasons – one should also be fitted to the smaller awning (see the matrix for one field).

In the case of coupled units **up to a fixture width of 700 cm** the **cassette will be supplied in one piece**. If, for transportation or installation reasons, the cassette needs to be split, please note this explicitly when ordering.

The rate of extension of coupled units with **2 fields, 1 Motor** and **3 fields, 2 motors** is approximately **16 to 18 seconds per metre**. In the case of coupled units with **2 fields, 2 motors** extension takes as long as with single awnings i.e. approx. **12 to 14 seconds per metre**.

In the case of **2 motors**, the individual motors can be operated independently of one another.

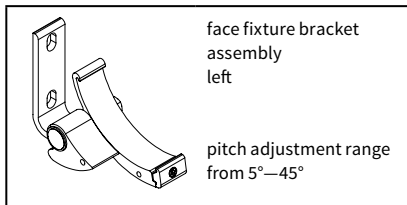
For the maximum awning size, please refer to the matrix for single units!

If coupled awnings are fitted into a **recess or reveal** the overall width of the coupled awning must be at least 6 cm less than the width of the opening to allow the awning to be coupled.

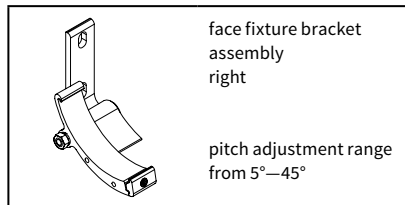
Depending on the size of the awning, deflection may be in evidence in individual profiles and sections of profile which is completely unavoidable. This affects neither the functionality nor the durability of the awning.

Fixtures, fittings and accessories

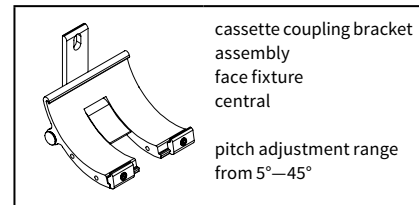
Cassette fixture brackets



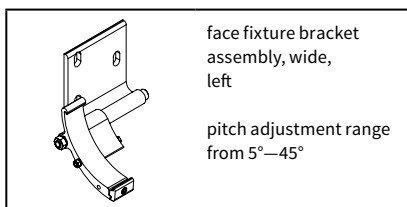
76063.



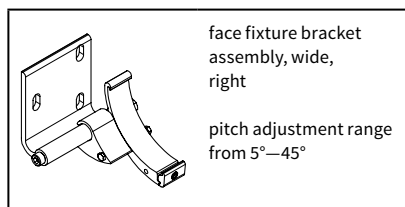
76064.



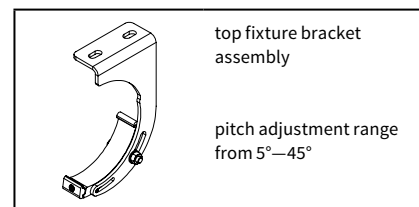
76181.



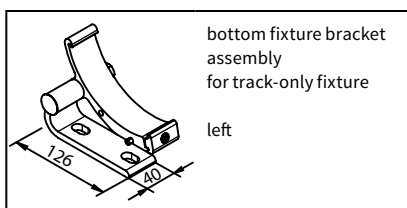
76231.



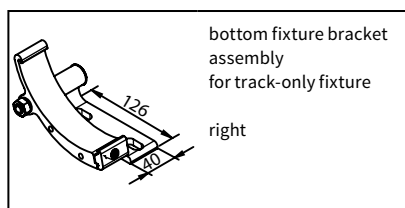
76232.



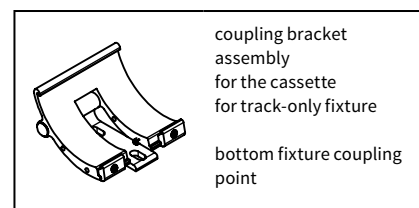
77058.



76061.



76062.

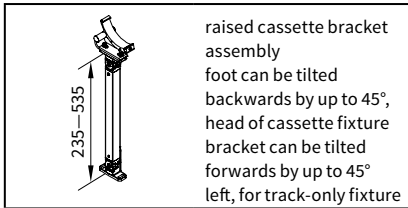


76180.

. = insert RAL colour code no.

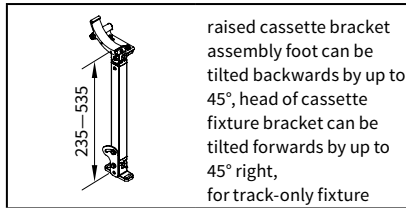
Fixtures, fittings and accessories

Cassette fixture brackets



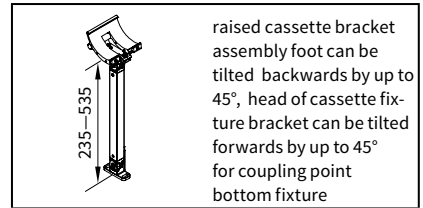
76067.

raised cassette bracket assembly
foot can be tilted backwards by up to 45°, head of cassette fixture bracket can be tilted forwards by up to 45° left, for track-only fixture



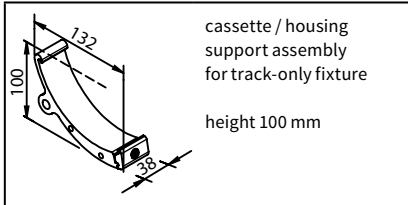
76068.

raised cassette bracket assembly foot can be tilted backwards by up to 45°, head of cassette fixture bracket can be tilted forwards by up to 45° right, for track-only fixture



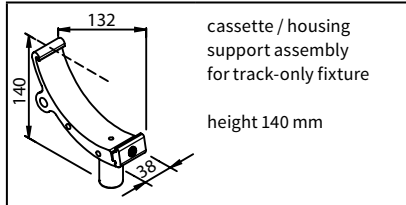
76198.

raised cassette bracket assembly foot can be tilted backwards by up to 45°, head of cassette fixture bracket can be tilted forwards by up to 45° for coupling point bottom fixture



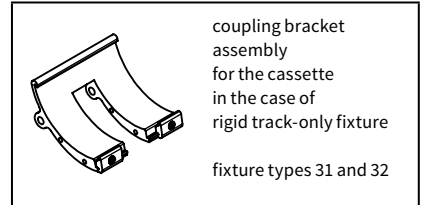
76183.

cassette / housing support assembly for track-only fixture
height 100 mm



76184.

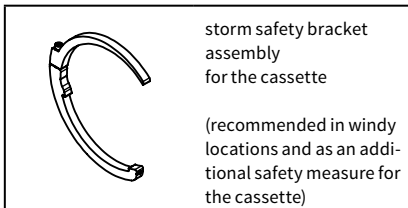
cassette / housing support assembly for track-only fixture
height 140 mm



76069.

coupling bracket assembly for the cassette in the case of rigid track-only fixture types 31 and 32

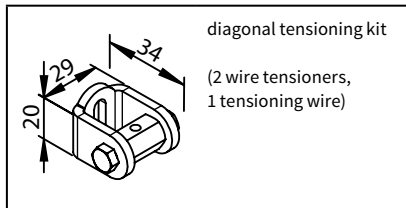
Accessories



76197.

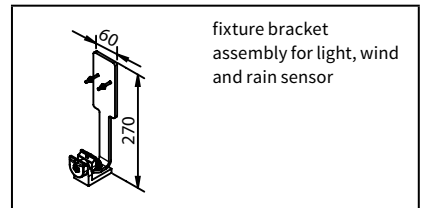
storm safety bracket assembly for the cassette

(recommended in windy locations and as an additional safety measure for the cassette)



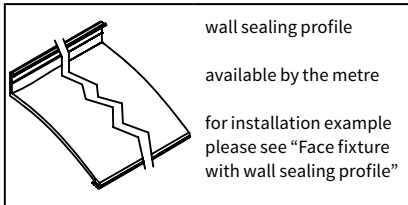
71790.

diagonal tensioning kit
(2 wire tensioners, 1 tensioning wire)



76050.

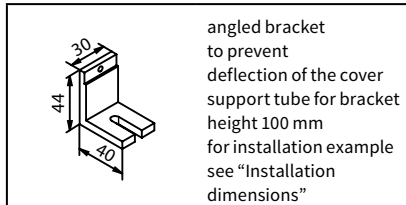
fixture bracket assembly for light, wind and rain sensor



77780.

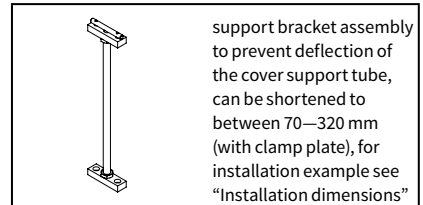
wall sealing profile
available by the metre

for installation example please see "Face fixture with wall sealing profile"



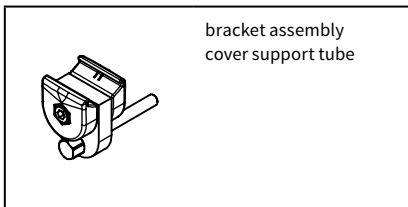
76065.

angled bracket to prevent deflection of the cover support tube for bracket height 100 mm for installation example see "Installation dimensions"



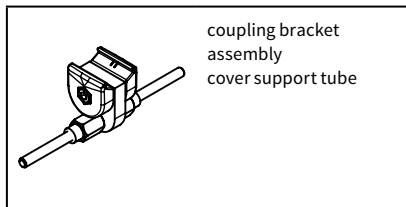
71780.

support bracket assembly to prevent deflection of the cover support tube, can be shortened to between 70—320 mm (with clamp plate), for installation example see "Installation dimensions"



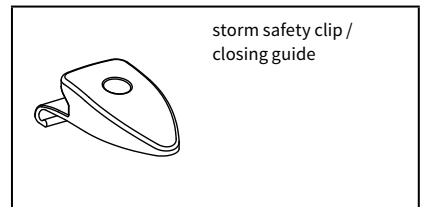
76019.

bracket assembly cover support tube



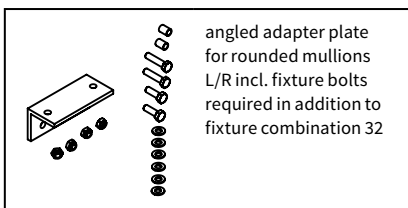
76059.

coupling bracket assembly cover support tube



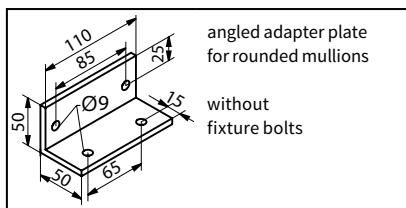
76235.

storm safety clip / closing guide



76099.

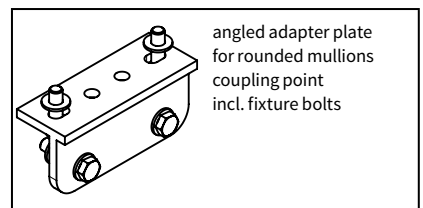
angled adapter plate for rounded mullions L/R incl. fixture bolts required in addition to fixture combination 32



76098.

angled adapter plate for rounded mullions

without fixture bolts

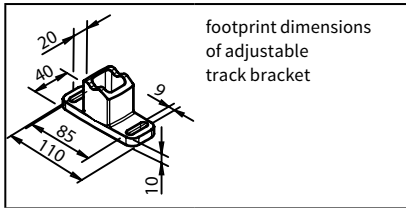


76606.

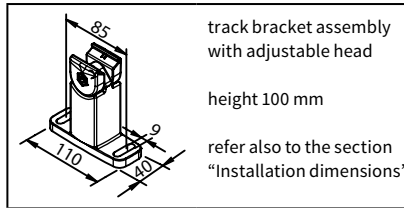
angled adapter plate for rounded mullions coupling point incl. fixture bolts

Fixtures, fittings and accessories

Track brackets

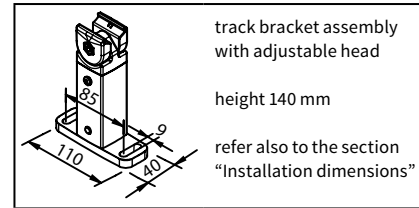


footprint dimensions of adjustable track bracket



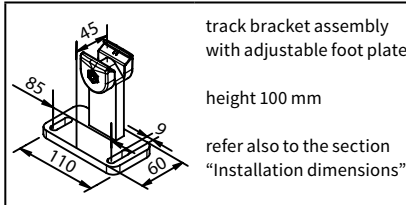
track bracket assembly with adjustable head
height 100 mm
refer also to the section "Installation dimensions"

76046.



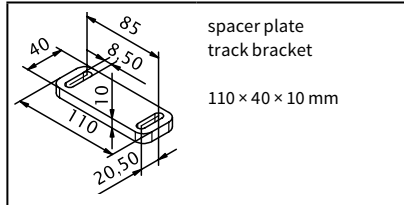
track bracket assembly with adjustable head
height 140 mm
refer also to the section "Installation dimensions"

76048.



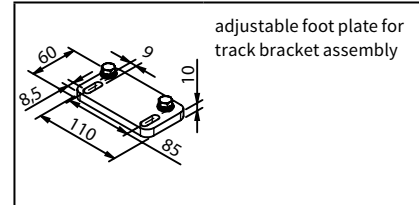
track bracket assembly with adjustable foot plate
height 100 mm
refer also to the section "Installation dimensions"

76199.



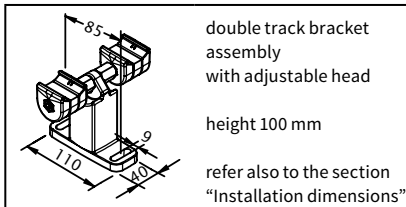
spacer plate track bracket
110 × 40 × 10 mm

78570.



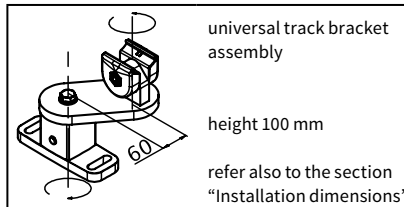
adjustable foot plate for track bracket assembly

78165.



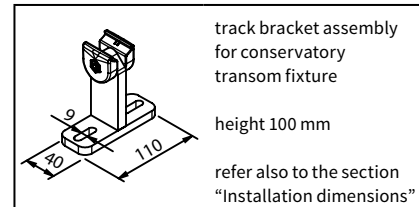
double track bracket assembly with adjustable head
height 100 mm
refer also to the section "Installation dimensions"

76191.



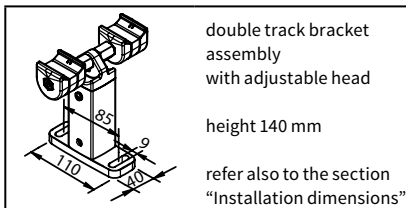
universal track bracket assembly
height 100 mm
refer also to the section "Installation dimensions"

76054.



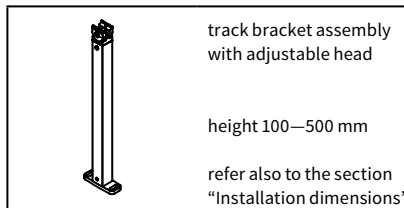
track bracket assembly for conservatory transom fixture
height 100 mm
refer also to the section "Installation dimensions"

76055.



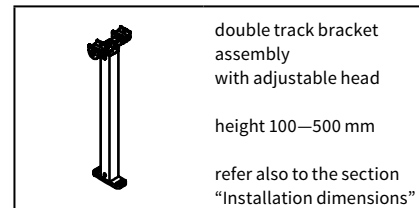
double track bracket assembly with adjustable head
height 140 mm
refer also to the section "Installation dimensions"

76192.



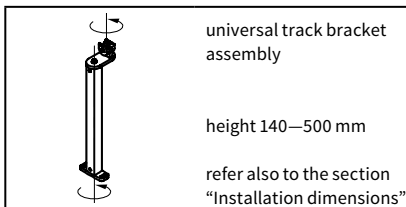
track bracket assembly with adjustable head
height 100–500 mm
refer also to the section "Installation dimensions"

76047.



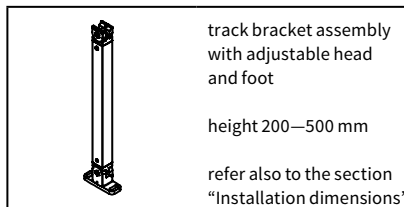
double track bracket assembly with adjustable head
height 100–500 mm
refer also to the section "Installation dimensions"

76193.



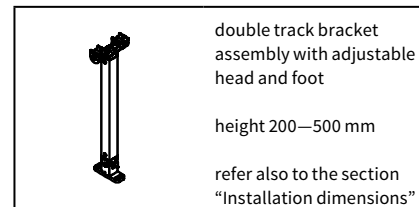
universal track bracket assembly
height 140–500 mm
refer also to the section "Installation dimensions"

76053.



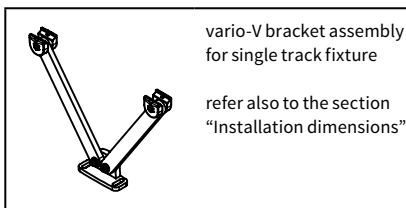
track bracket assembly with adjustable head and foot
height 200–500 mm
refer also to the section "Installation dimensions"

76045.



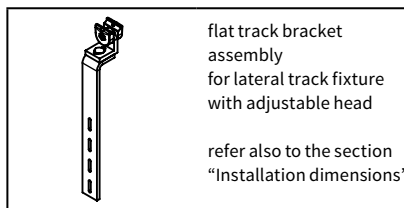
double track bracket assembly with adjustable head and foot
height 200–500 mm
refer also to the section "Installation dimensions"

76194.



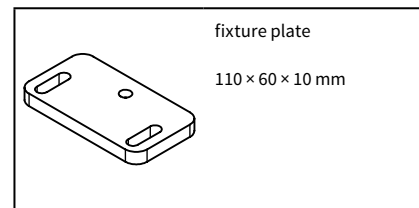
vario-V bracket assembly for single track fixture
refer also to the section "Installation dimensions"

76052.



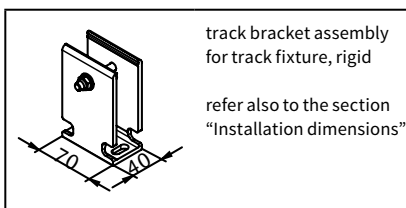
flat track bracket assembly for lateral track fixture with adjustable head
refer also to the section "Installation dimensions"

76049.



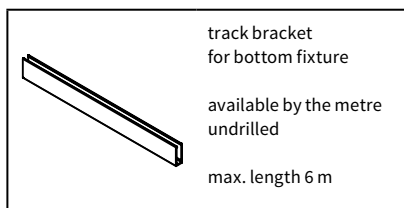
fixture plate
110 × 60 × 10 mm

78158.



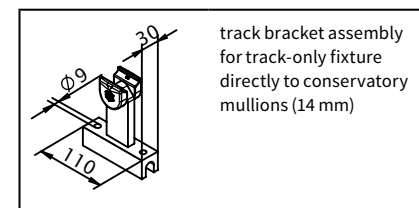
track bracket assembly for track fixture, rigid
refer also to the section "Installation dimensions"

76017.



track bracket for bottom fixture
available by the metre undrilled
max. length 6 m

76013.



track bracket assembly for track-only fixture directly to conservatory mullions (14 mm)

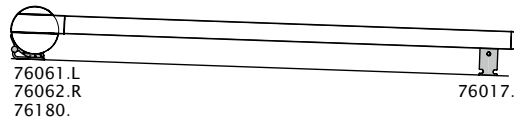
76735.

. = insert RAL colour code no.

Fixture combinations

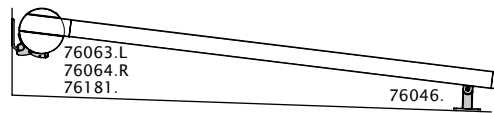
All brackets incur a surcharge

Fixture combination
11



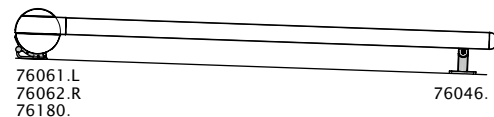
- an additional cassette support is required from a field width of 6001 mm, 76183.
- from an extension of 4001 mm an additional bracket 76017. per guide track is required

Fixture combination
12



- only up to an extension of 4000 mm
- from an extension of 4001 mm fixture combination 51
- an additional cassette bracket is required from a fixture width of 6001 mm, 76063.

Fixture combination
14



- an additional cassette support is required from a field width of 6001 mm, 76183.
- from an extension of 4001 mm an additional bracket 76046. per guide track is required

Fixture combination
21



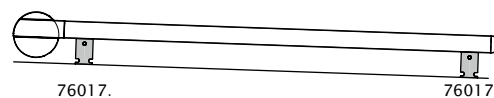
- an additional cassette support is required from a field width of 6001 mm, 76183.
- from an extension of 4001 mm an additional bracket 76049. per guide track is required

Fixture combination
22



- an additional cassette bracket is required from a fixture width of 6001 mm, 76063.
- from an extension of 4001 mm an additional bracket 76049. per guide track is required

Fixture combination
31



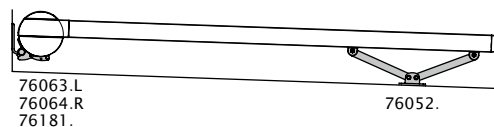
- an additional cassette support is required from a field width of 6001 mm, 76183.
- from an extension of 4001 mm an additional bracket 76017. per guide track is required

Fixture combination
32



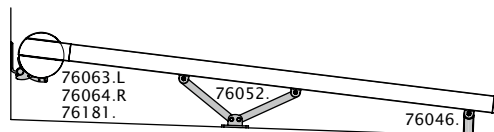
- an additional cassette support is required from a field width of 6001 mm, 76183.
- from an extension of 4001 mm an additional bracket 76046. per guide track is required

Fixture combination
41



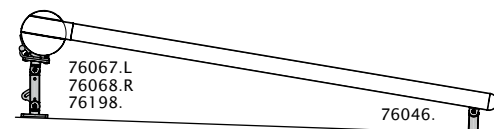
- an additional cassette bracket is required from a fixture width of 6001 mm, 76063.
- from an extension of 4001 mm an additional bracket 76052. per guide track is required

Fixture combination
51



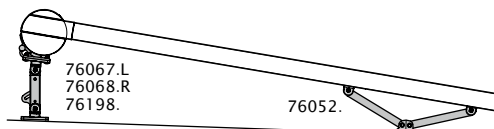
- up to an extension of 4000 mm, fixture type 12
- an additional cassette bracket is required from a fixture width of 6001 mm, 76063.

Fixture combination
61



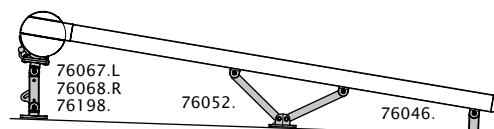
- an additional cassette bracket is required from a fixture width of 6001 mm, 76067.
- from an extension of 4001 mm, fixture type 81

Fixture combination
71



- an additional cassette bracket is required from a fixture width of 6001 mm, 76067.
- from an extension of 4001 mm an additional bracket 76052. per guide track is required
- diagonal tensioners are recommended

Fixture combination
81

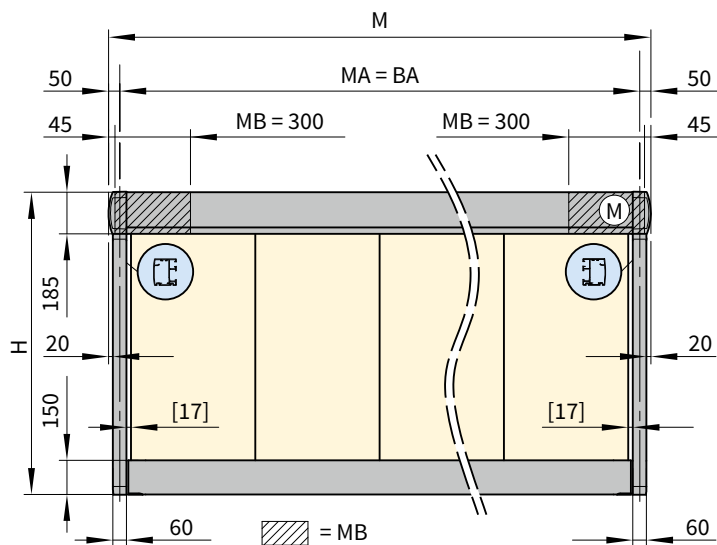


- up to an extension of 4000 mm, fixture type 61
- an additional cassette bracket is required from a fixture width of 6001 mm, 76067.
- diagonal tensioners are recommended

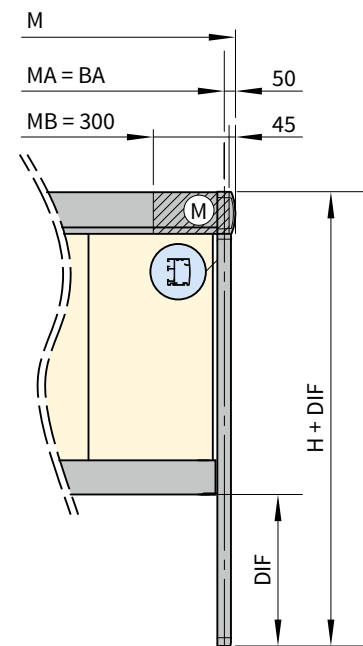
Individual bracket combinations – see “Fixtures, fittings and accessories”. Please note the minimum quantity required for the width and unit height you intend to order!

Installation dimensions

Single unit 1 field, 1 motor

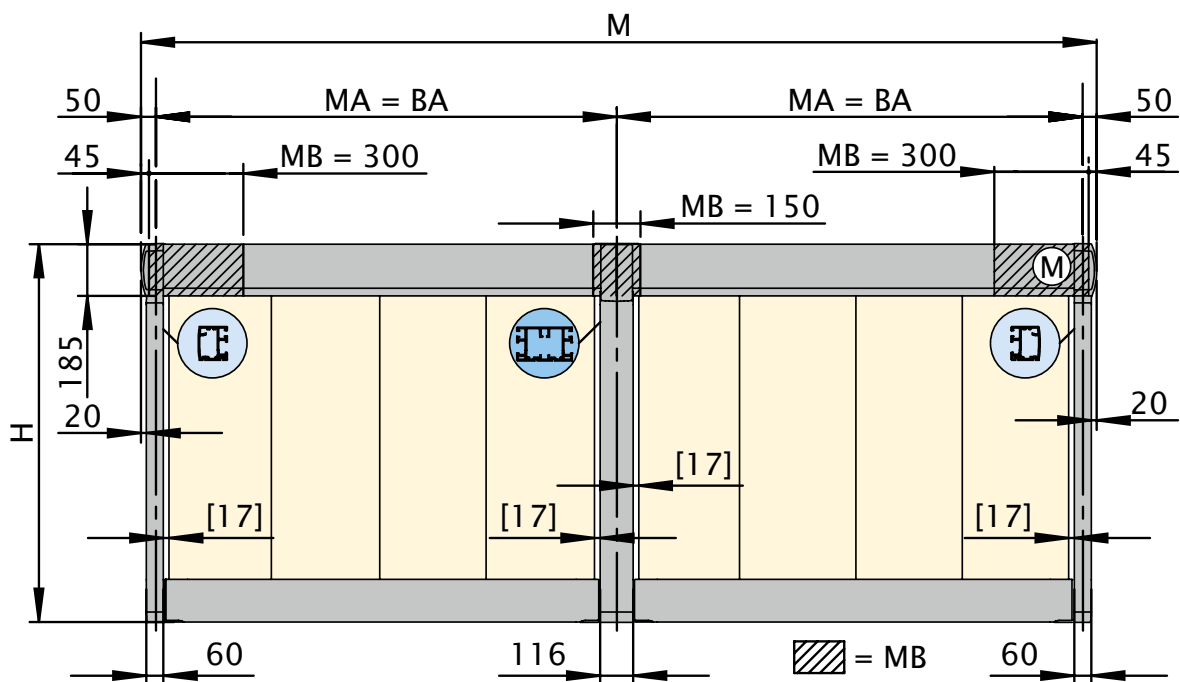


asymmetrical guide track lengths



Coupled unit 2 fields, 1 motor

dimensions in mm



dimensions in mm

M = overall awning width MA + 100 mm

H = extension

BA = width between fixture points

MB = bracket fixture range

DIF = difference in measurement

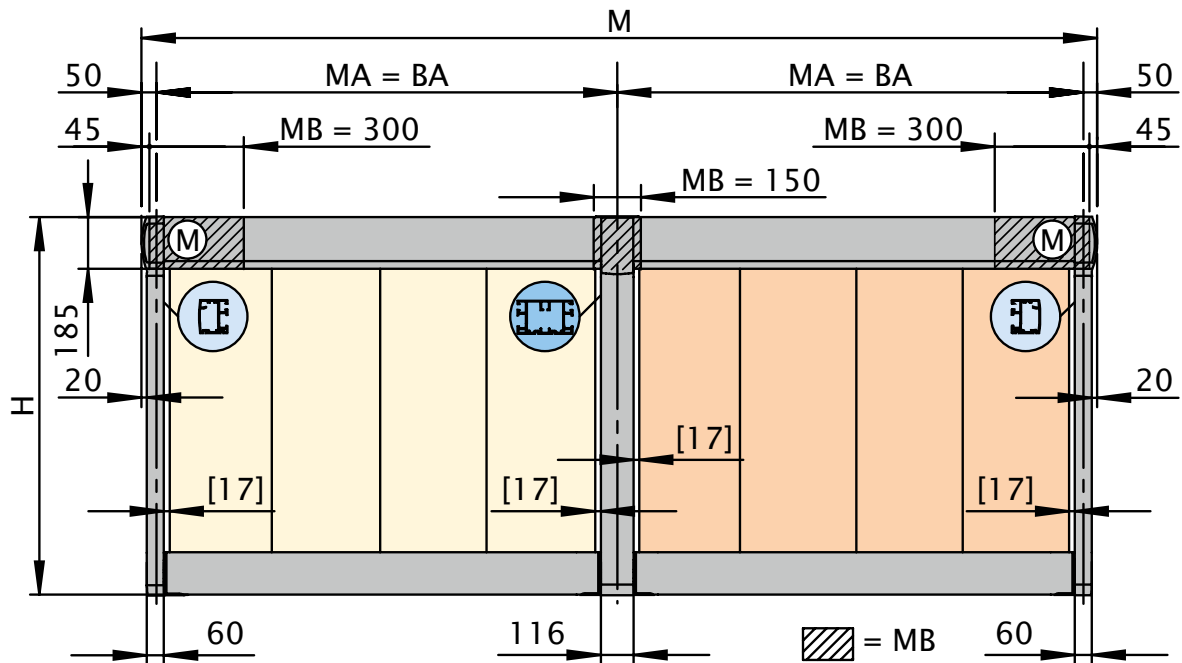
MA = awning width between fixture points = fixture width = order width

[...] = dimensions of the cover gap in a standard unit, no cover gap in units with tracfix system

Ⓜ = motor

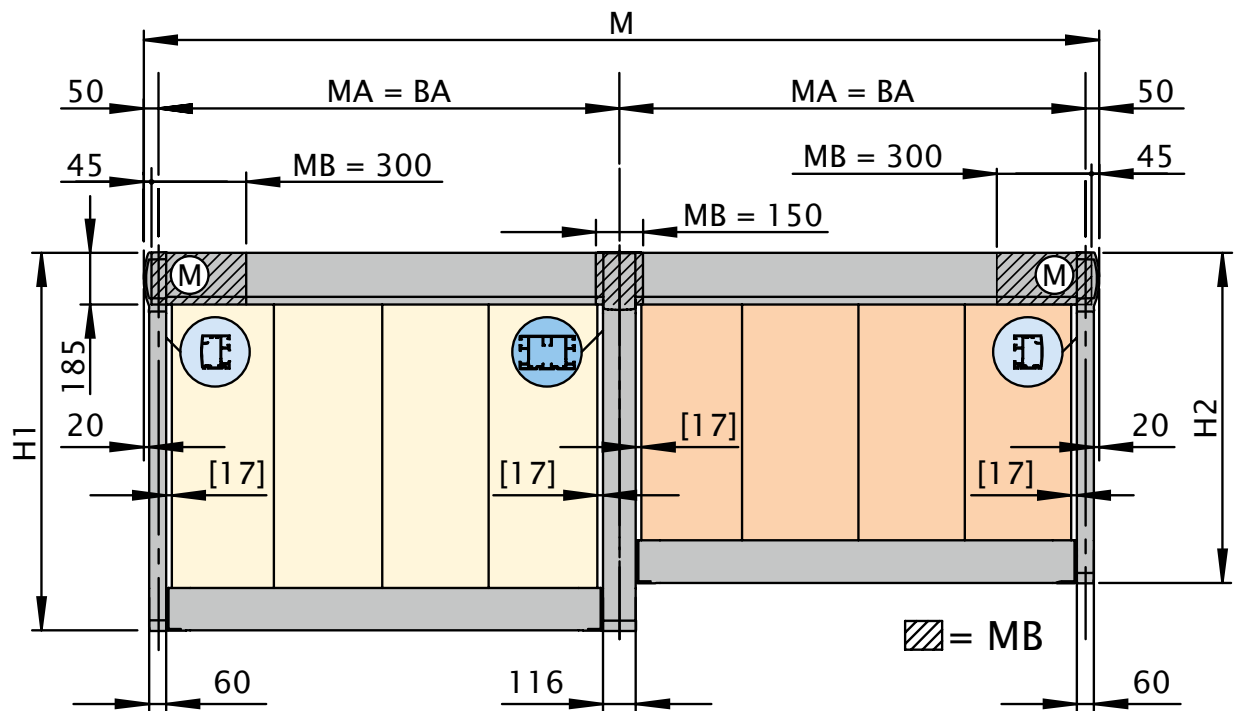
Installation dimensions

Coupled unit, 2 fields, 2 motors



Coupled unit, 2 fields, 2 motors, asymmetrical extensions

dimensions in mm



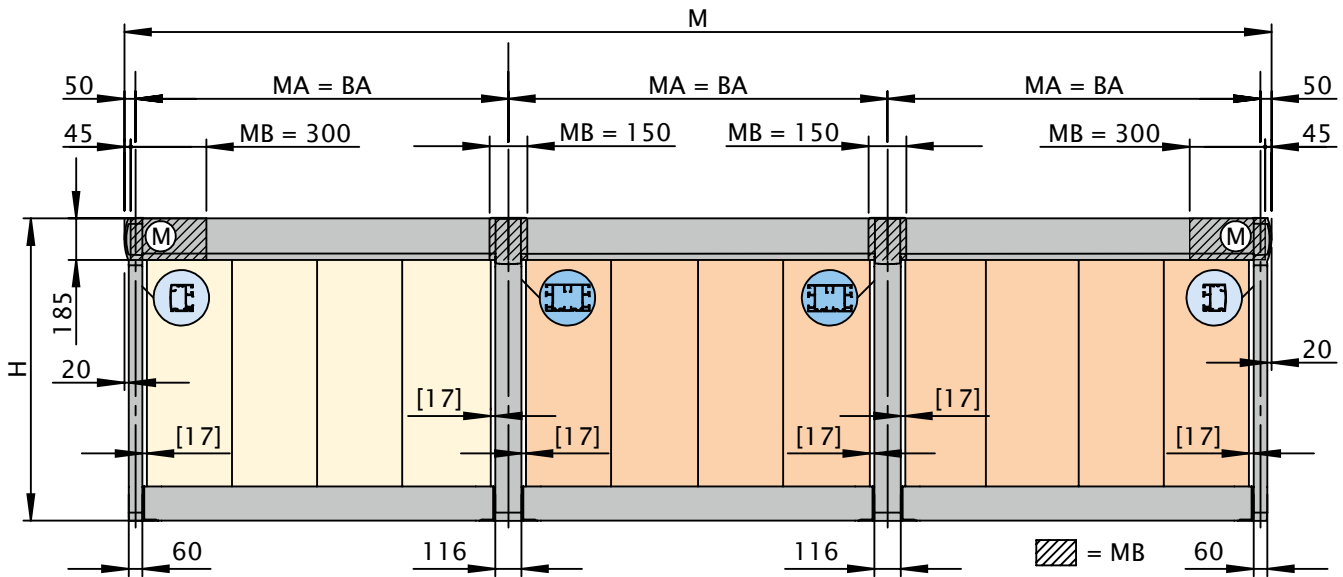
dimensions in mm

M = overall awning width
 H = extension
 $H1$ = long extension
 $H2$ = short extension
 MB = bracket fixture range

BA = width between fixture points
 MA = awning width between fixture points = fixture width = order width
[...] = dimensions of the cover gap in a standard unit, no cover gap in units with tracfix system
Ⓜ = motor

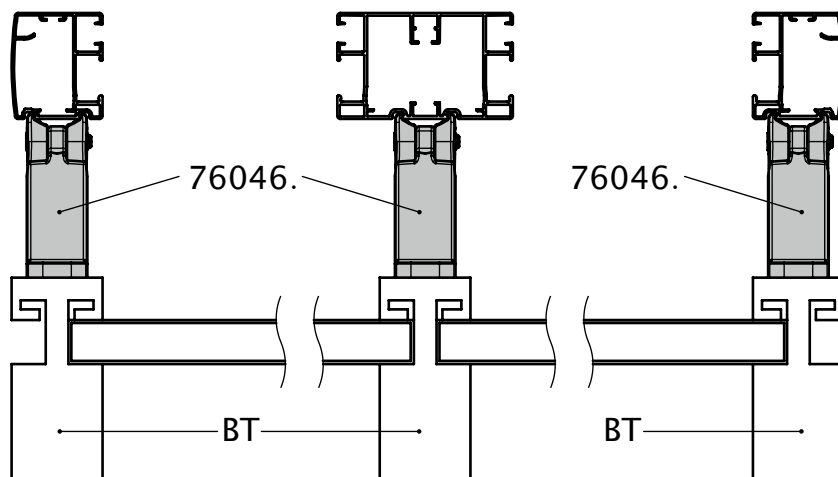
Installation dimensions

Coupled unit, 3 fields, 2 motors



Detailed illustration of guide tracks

dimensions in mm



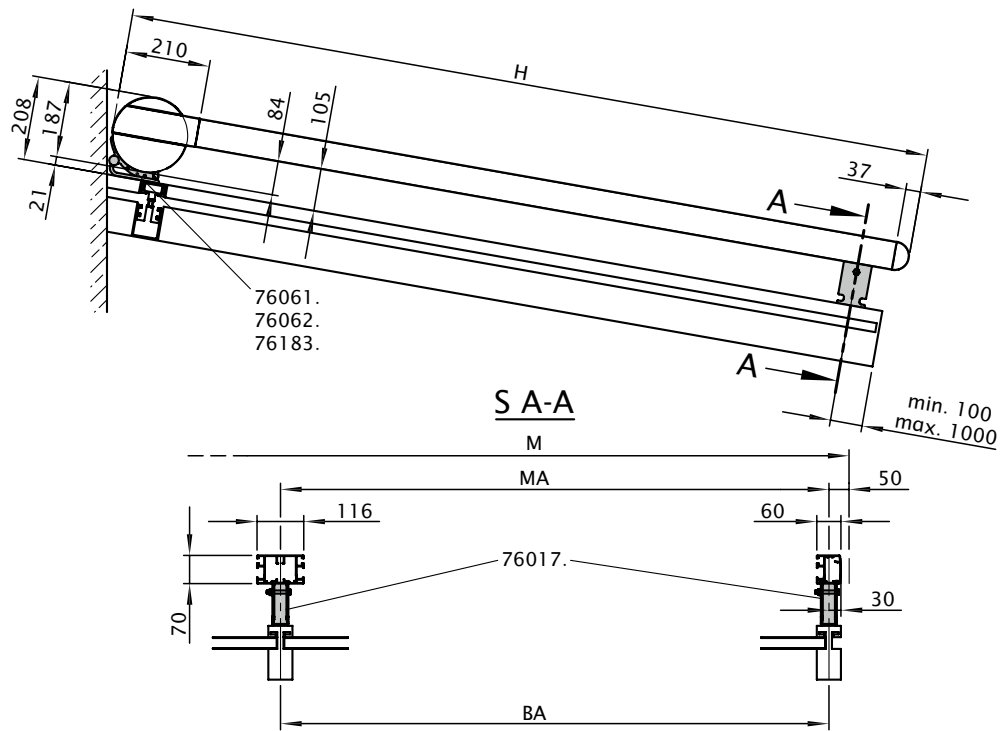
dimensions in mm

M = overall awning width
 KA = coupled unit
 H = extension
 BA = width between fixture points
 Ⓜ = motor

76046. = track bracket with adjustable head
 BT = mullion / fixture substrate
 [...] = dimensions of the cover gap in a standard unit, no cover gap in units with tracfix system
 MB = bracket fixture range
 MA = awning width between fixture points = fixture width = order width

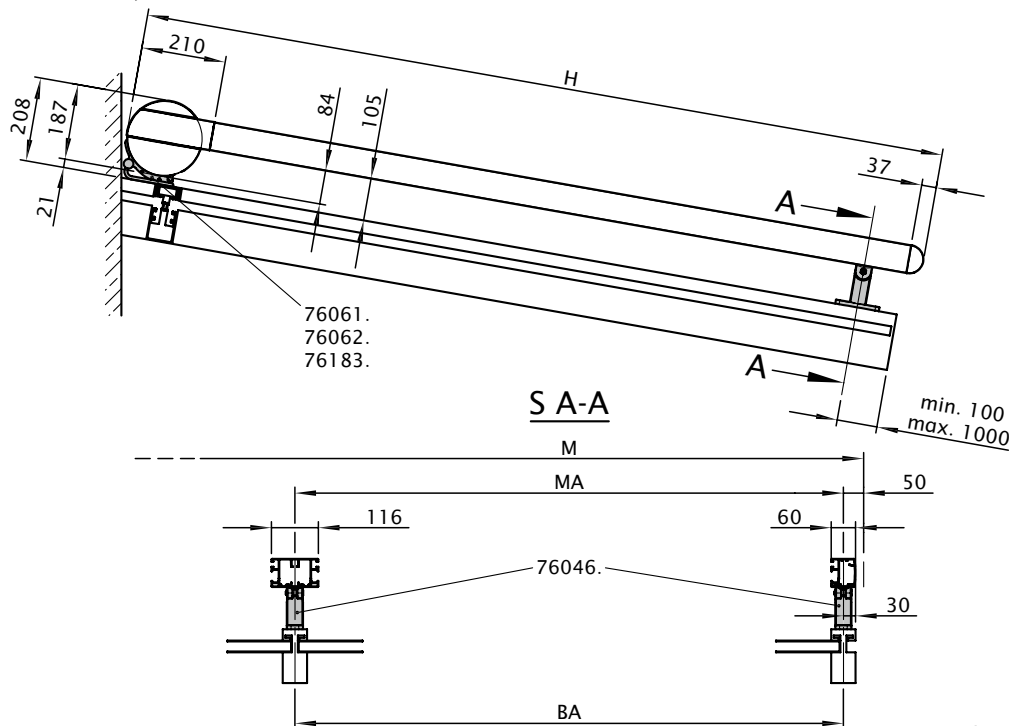
Installation dimensions

Fixture combination 11, bottom fixture



dimensions in mm

Fixture combination 14, bottom fixture

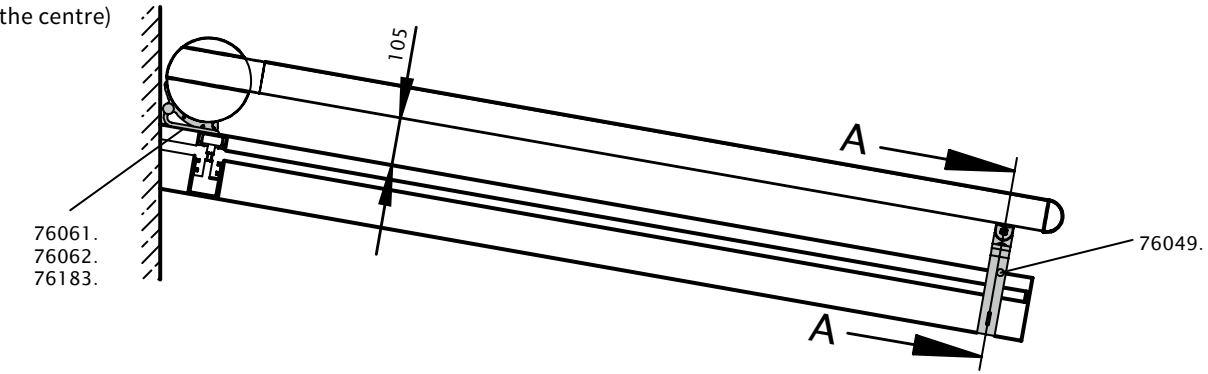


dimensions in mm

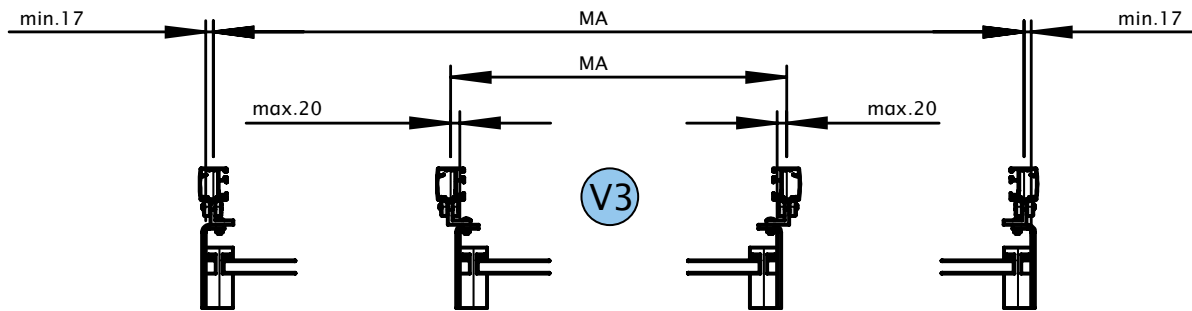
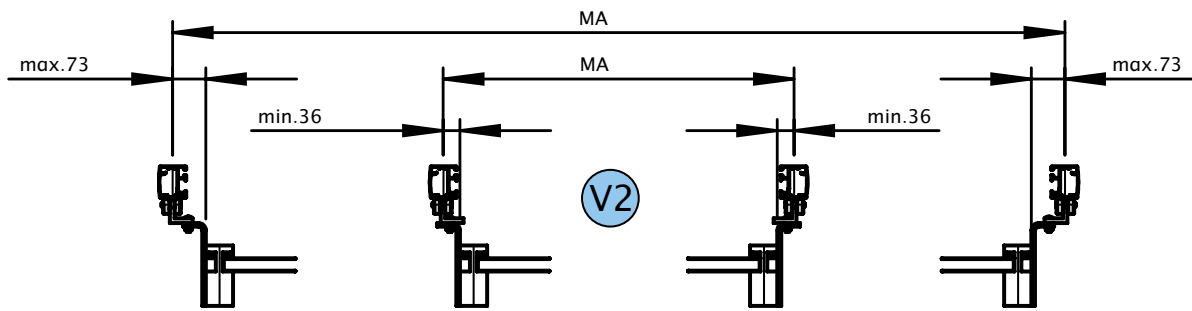
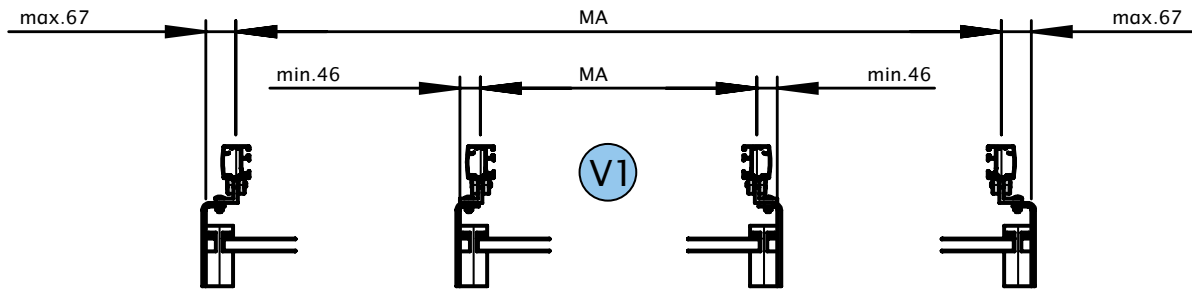
- | | | | |
|----|--------------------------------|--------|---|
| M | = overall awning width | 76061. | = bottom fixture cassette bracket, left, from a fixture width of 6001 mm an additional housing support is required, 76183. |
| H | = extension | 76062. | = bottom cassette fixture bracket, right |
| BA | = width between fixture points | 76180. | = coupling bracket for bottom cassette fixture |
| S | = in cross section | 76017. | = track bracket for track-only fixture, rigid up to an extension of 4000 mm, 1 per track, from an extension of 4001 mm, 2 per track |
| | | 76046. | = track bracket, with adjustable head, 100 mm up to an extension of 4000 mm, 1 per track, from an extension of 4001 mm, 2 per track |

Installation dimensions

Fixture combination 21, for track-only fixture (from a field width of 6001 mm an additional housing support is required in the centre)



S A-A



dimensions in mm

M = overall awning width

H = extension

BA = width between fixture points

MA = awning width between fixture points = fixture width = order width

S = in cross section

76061. = bottom fixture bracket, an additional cassette support is required from a field width of 6001 mm, 76183.

76062. = bottom cassette fixture bracket, right

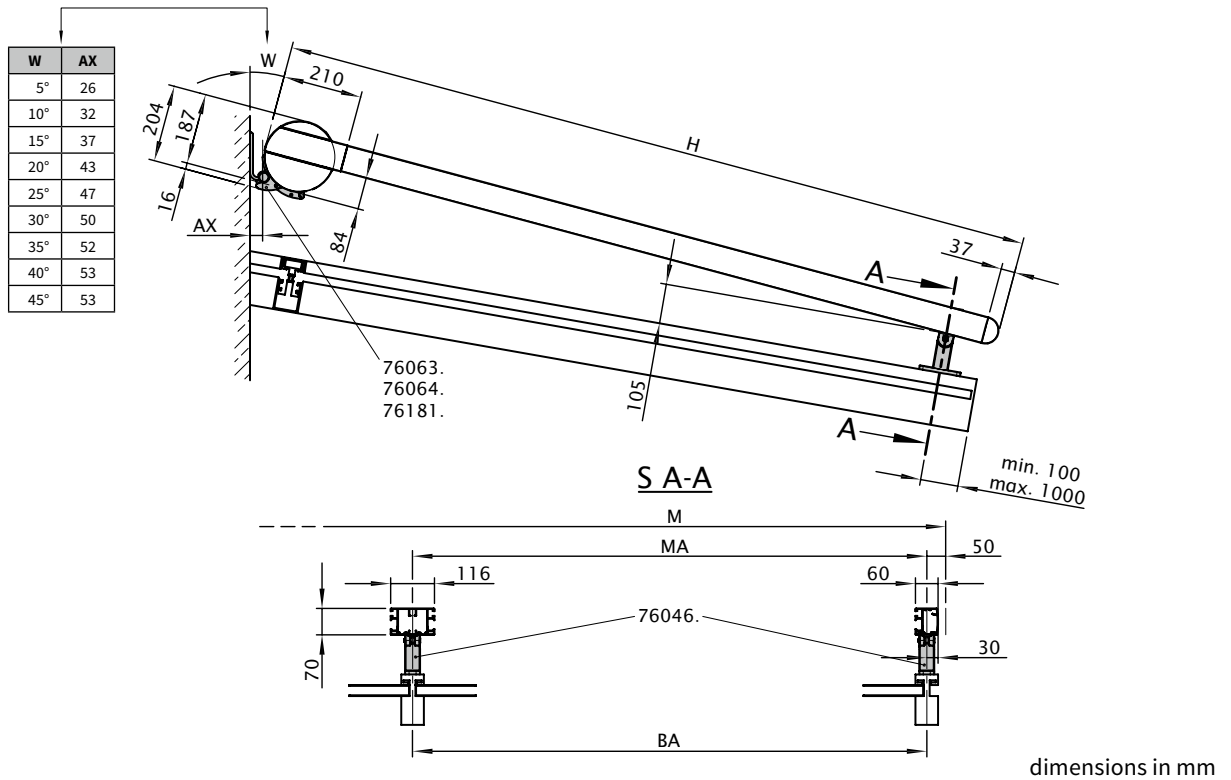
76180. = coupling bracket for bottom cassette fixture

76017. = rigid track bracket for track-only fixture, up to an extension of 4000 mm, 1 per track, from an extension of 4001 mm, 2 per track

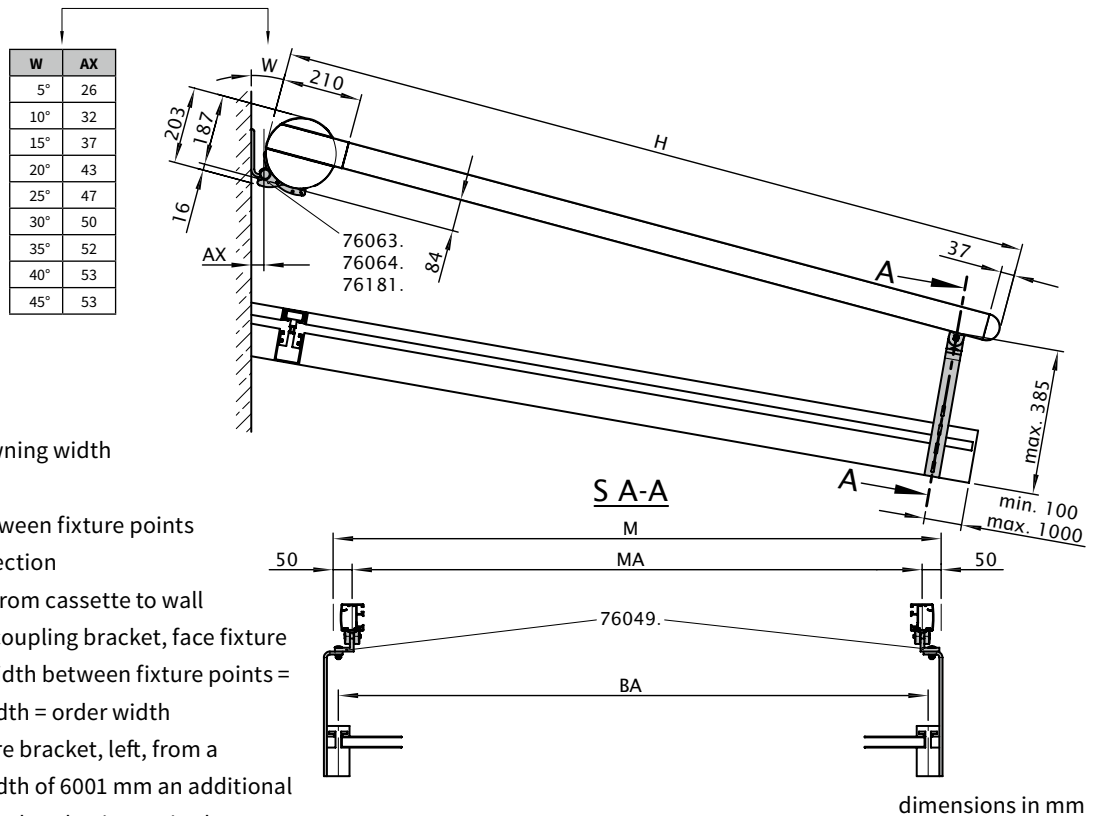
76046. = track bracket with adjustable head 100 mm, up to an extension of 4000 mm, 1 per track, from an extension of 4001 mm, 2 per track

Installation dimensions

Fixture type 12, face fixture for extensions up to 4000 mm, from an extension of 4001 mm fixture type 51



Fixture type 22, face fixture with lateral track bracket



W = pitch

M = overall awning width

H = extension

BA = width between fixture points

S = in cross section

AX = distance from cassette to wall

76181. = cassette coupling bracket, face fixture

MA = awning width between fixture points =
fixture width = order width

76063. = face fixture bracket, left, from a
fixture width of 6001 mm an additional
face fixture bracket is required, 76064.

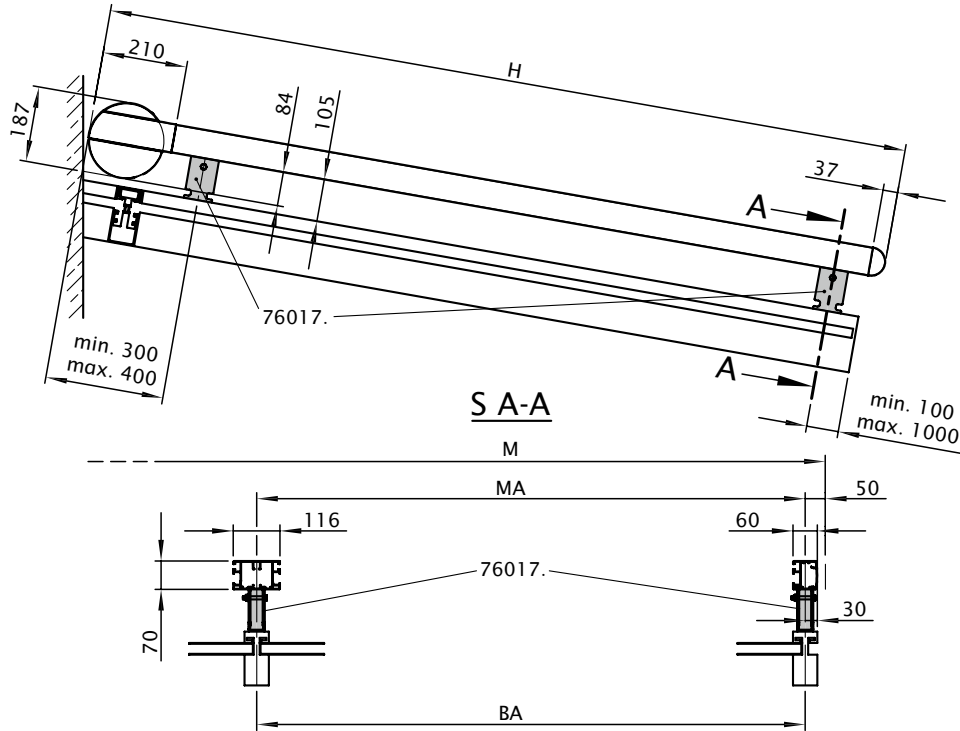
76064. = face fixture bracket, right, from a fixture width of 6001 mm an additional face fixture bracket is required, 76064.

76046. = track bracket with adjustable head 100 mm, up to an extension of 4000 mm, 1 per track,
from an extension of 4001 mm, fixture type 51

76049. = flat bracket for lateral track fixture with adjustable head, up to an extension of 4000 mm, 1 per track,
from an extension of 4001 mm, 2 per track

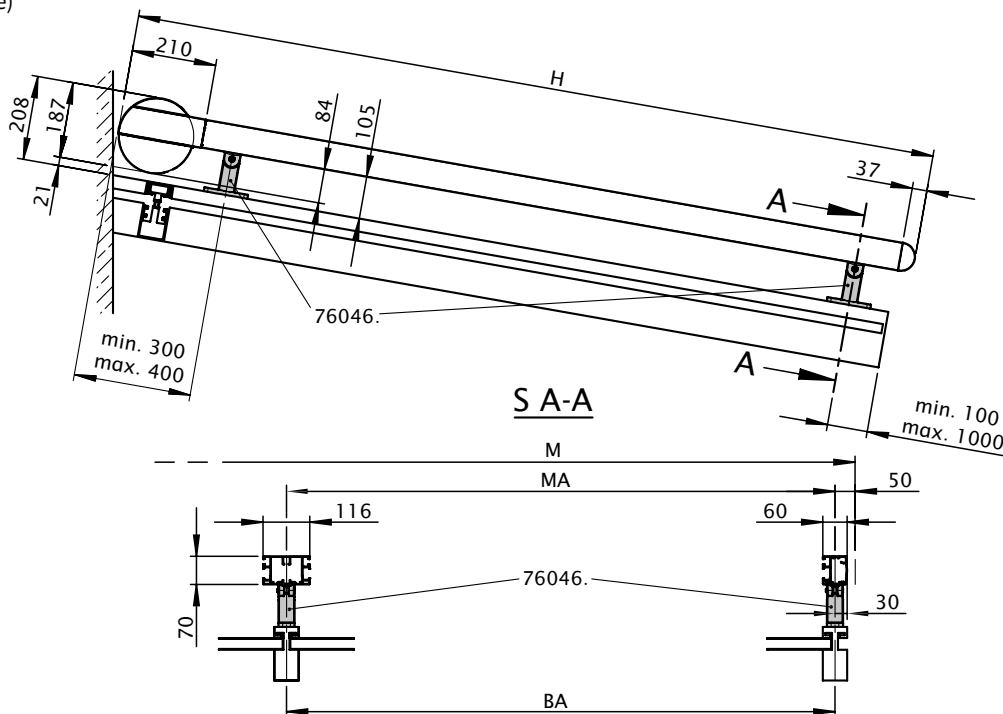
Installation dimensions

Fixture combination 31, for track-only fixture (from a field width of 6001 mm an additional housing support is required in the centre)



dimensions in mm

Fixture combination 32, for track-only fixture (from a field width of 6001 mm an additional housing support is required in the centre)



dimensions in mm

BA = width between fixture points

M = overall awning width

H = extension

MA = awning width between fixture points = fixture width = order width

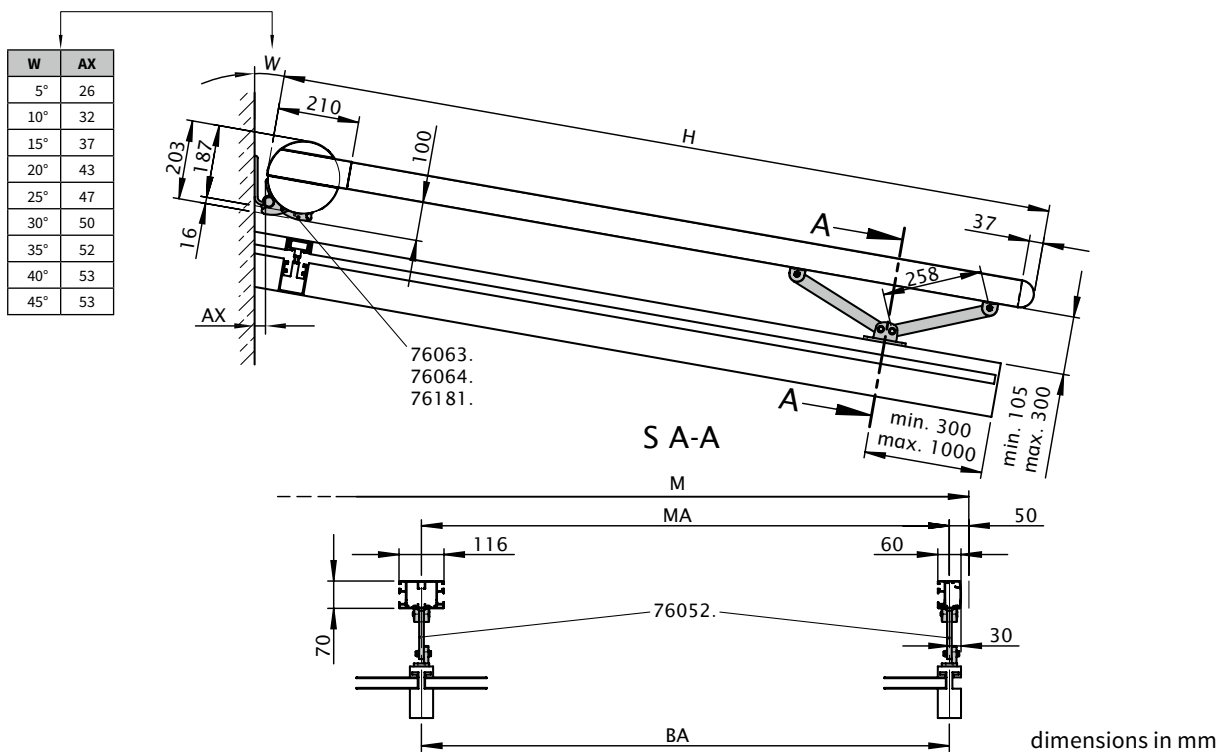
S = in cross section

76017. = rigid track bracket for track-only fixture, up to an extension of 4000 mm, 2 per track, from an extension of 4001 mm, 3 per track

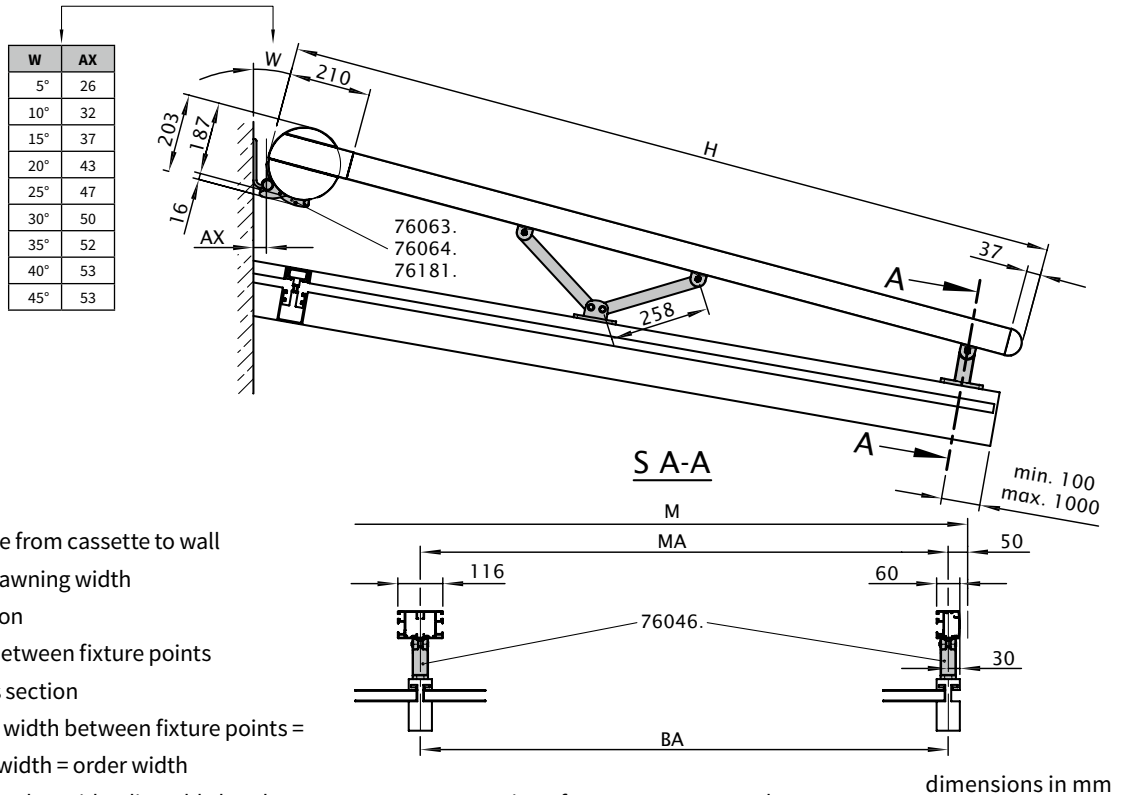
76046. = track bracket with adjustable head 100 mm, up to an extension of 4000 mm, 2 per track, from an extension of 4001 mm, 3 per track

Installation dimensions

Fixture type 41, face fixture with vario-V brackets



Fixture type 51, face fixture for extensions greater than 4000 mm, up to an extension of 4000 mm fixture type 12



- W = pitch
- AX = distance from cassette to wall
- M = overall awning width
- H = extension
- BA = width between fixture points
- S = in cross section
- MA = awning width between fixture points = fixture width = order width

76046. = track bracket with adjustable head 100 mm, up to an extension of 4000 mm, 1 per track, from an extension of 4001 mm, 2 per track

76052. = vario-V brackets for lateral track fixture, up to an extension of 4000 mm, 1 per track, from an extension of 4001 mm, 2 per track

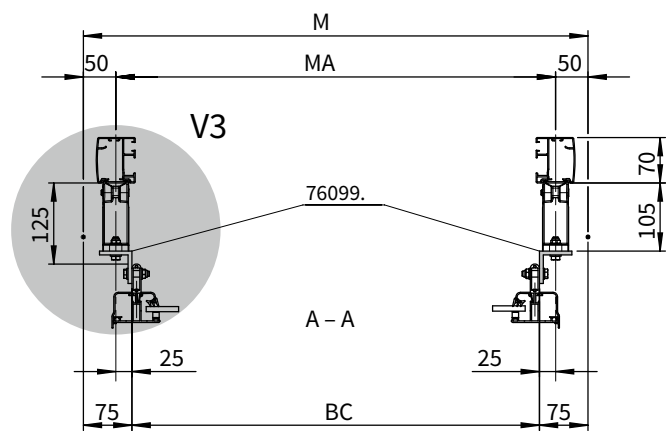
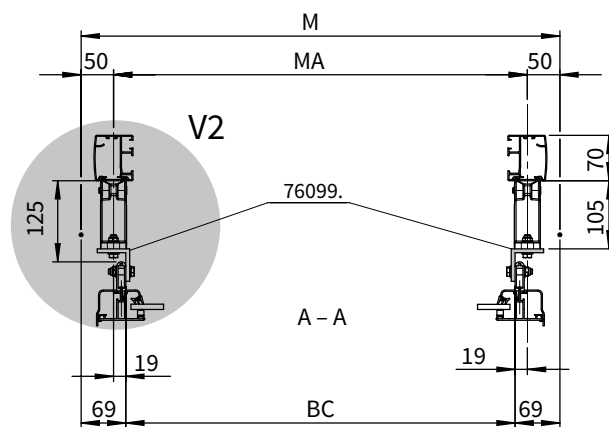
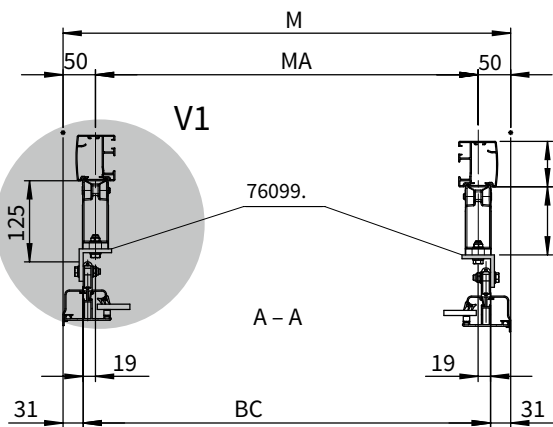
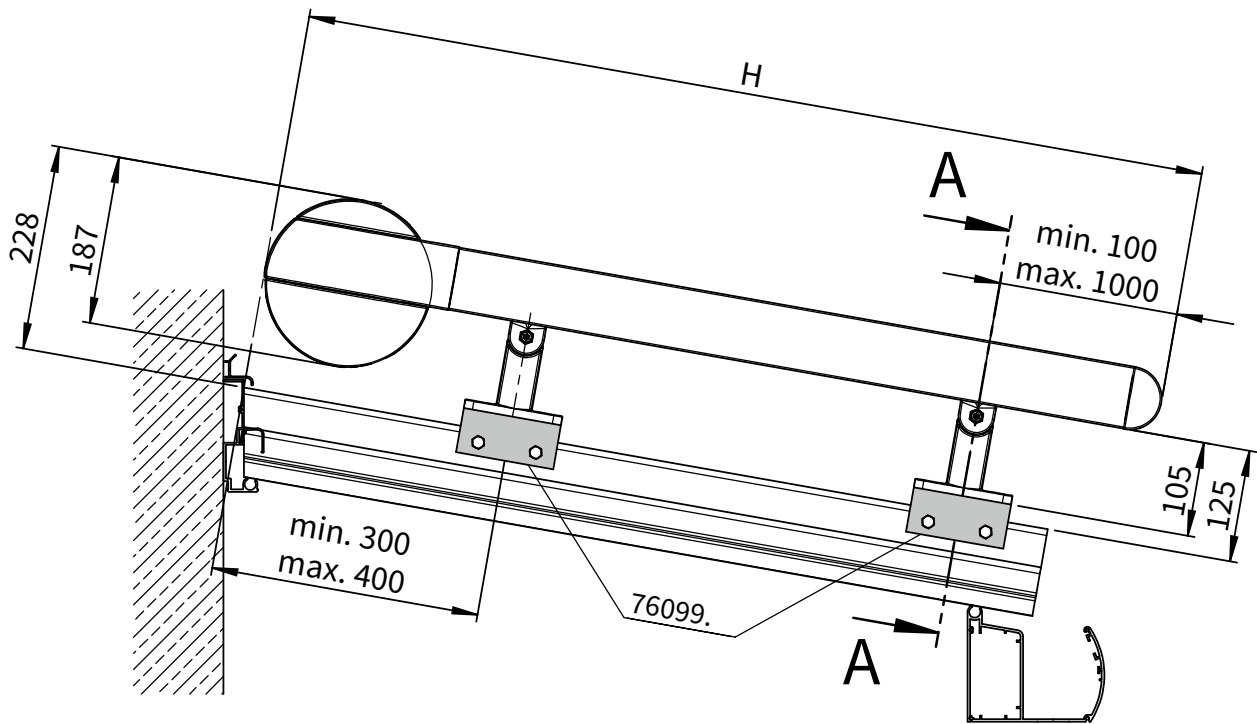
76063. = face fixture bracket, left, from a fixture width of 6001 mm an additional face fixture bracket is required, 76064.

76064. = face fixture bracket, right, from a fixture width of 6001 mm an additional face fixture bracket is required, 76064.

76181. = cassette coupling bracket, face fixture

Installation dimensions

Fixture combination 32 with "angled adapter plate for rounded mullions incl. fixture bolts" (76099.)

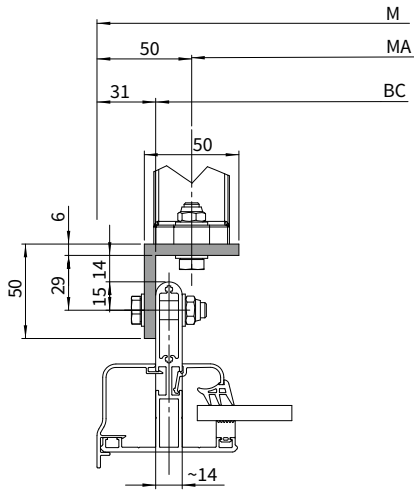
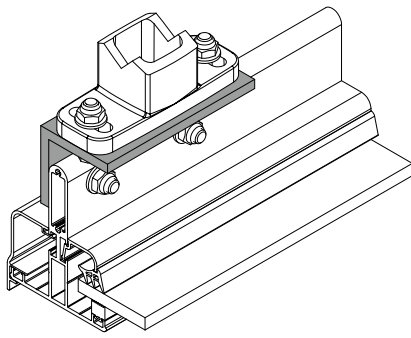


- M = overall awning width
- MA = awning fixture width = order width
- A-A = in cross section
- BC = awning width between fixture points
- H = extension
- 76099. = angled adapter plate for rounded mullions incl. fixture bolts
- V1, V2 xx. = variation 1, 2 xx.

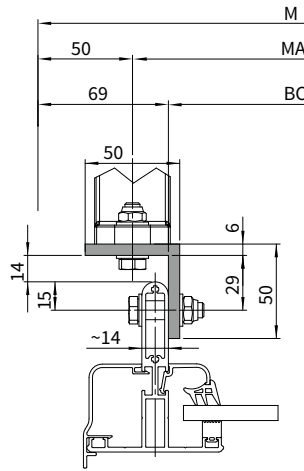
dimensions in mm

01
02
04
05
06
07
08
09
10
11
12
13
14
15

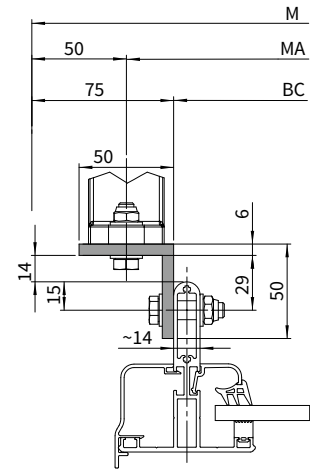
Detailed illustrations of variations 1, 2 and 3 (V1, V2 and V3)



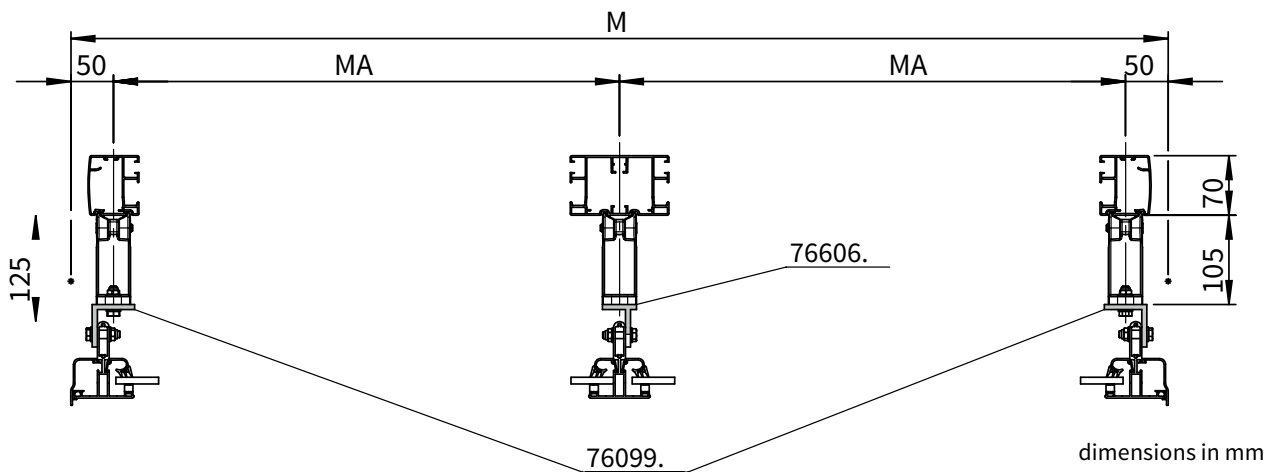
V1



V2

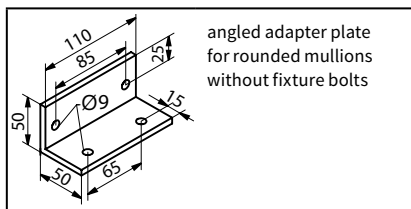


V3



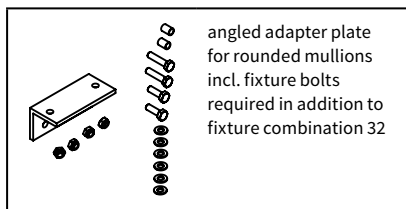
dimensions in mm

16



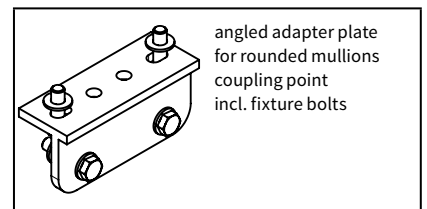
angled adapter plate for rounded mullions without fixture bolts

76098.



angled adapter plate for rounded mullions incl. fixture bolts required in addition to fixture combination 32

76099.

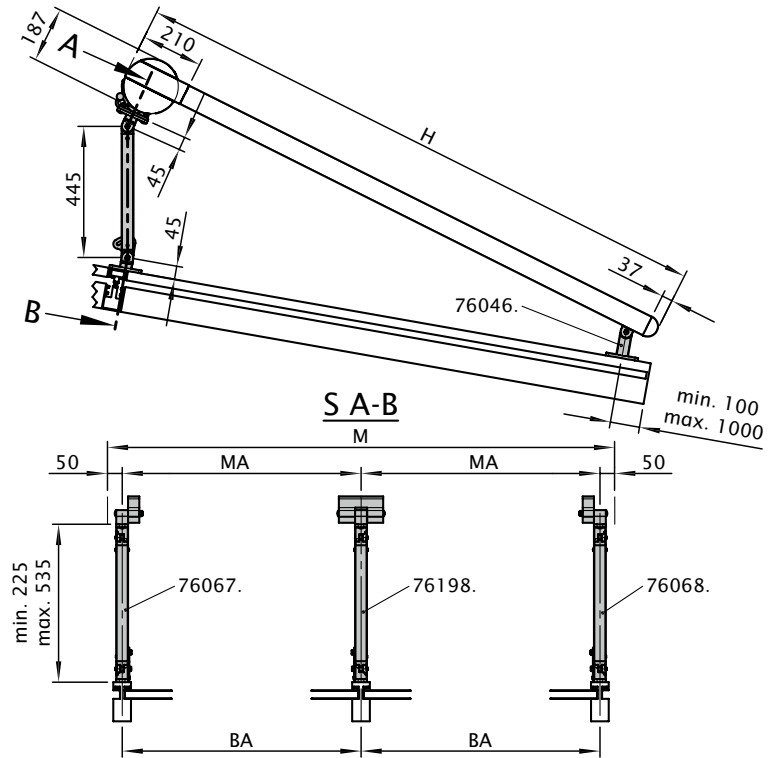


angled adapter plate for rounded mullions coupling point incl. fixture bolts

76606.

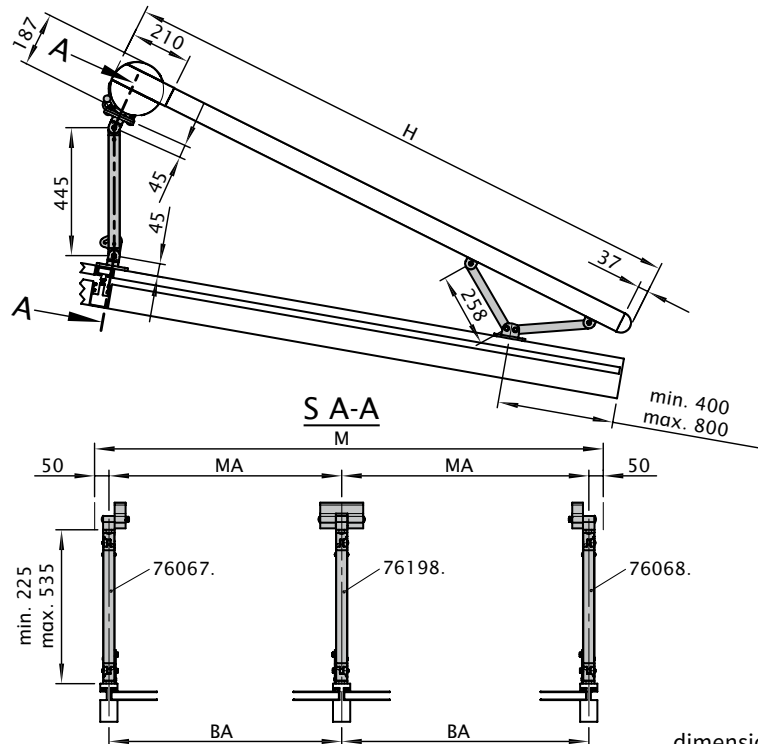
Installation dimensions

Fixture type 61, raised bottom cassette fixture



dimensions in mm

Fixture type 71, raised bottom fixture with vario-V brackets



dimensions in mm

M = overall awning width

H = extension

BA = width between fixture points

S = in cross section

MA = awning width between fixture points = fixture width = order width

76046. = track bracket with adjustable head 100 mm, up to an extension of 4000 mm, from an extension of 4001 mm fixture type 81

76052. = vario-V brackets for lateral track fixture, up to an extension of 4000 mm, 1 per track, from an extension of 4001 mm, 2 per track

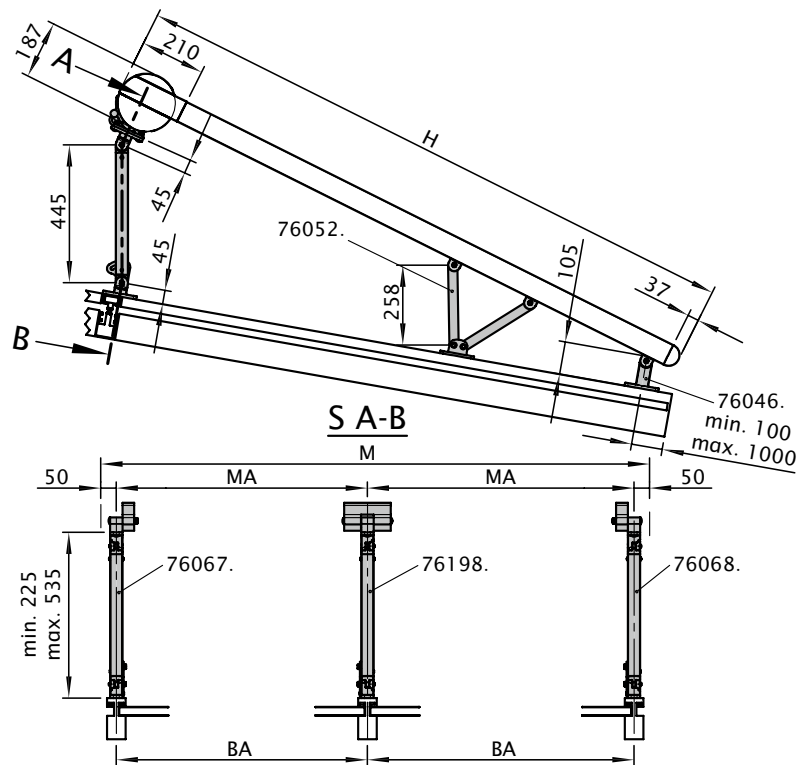
76067. = raised cassette fixture bracket, left, an additional cassette bracket is required from a fixture width of 6001 mm, 76068.

76068. = raised cassette fixture bracket, right, an additional cassette bracket is required from a fixture width of 6001 mm, 76068.

76198. = raised cassette bracket, coupling point

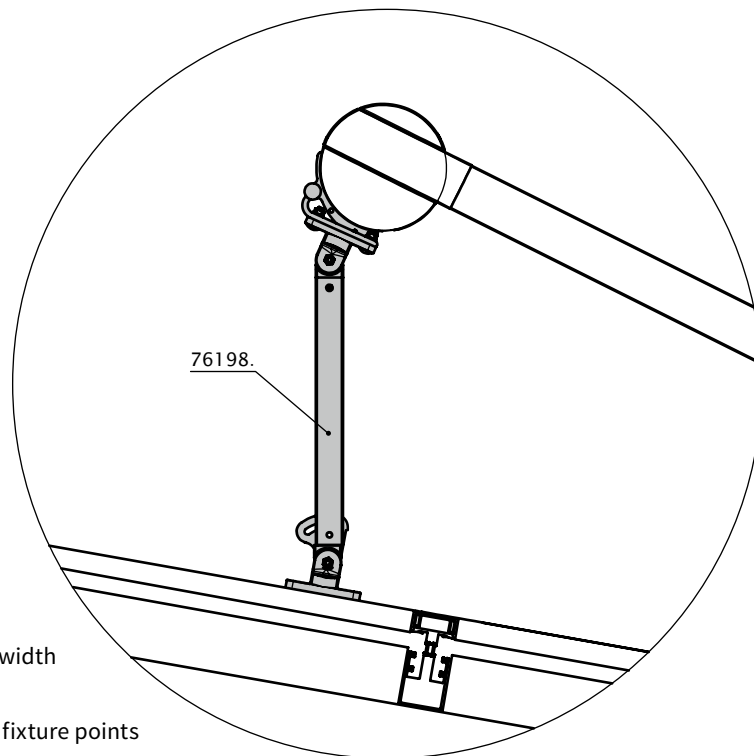
Installation dimensions

Fixture type 81, raised bottom cassette fixture for awnings with an extension greater than 4000 mm using vario-V brackets



dimensions in mm

Raised bottom fixture using cassette coupling bracket



M = overall awning width

H = extension

BA = width between fixture points

S = in cross section

MA = awning width between fixture points = fixture width = order width

dimensions in mm

76046. = track bracket, with adjustable head, 100 mm

76052. = vario-V bracket, for track fixture

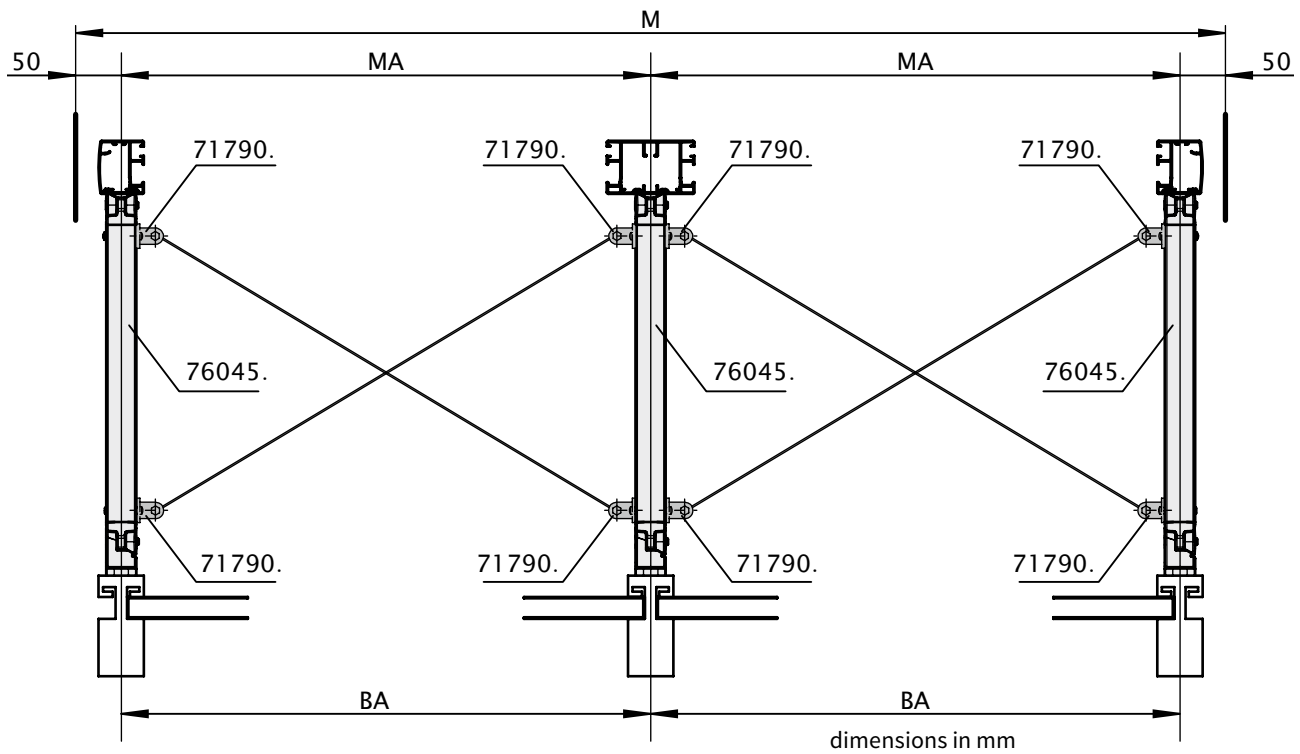
76067. = raised cassette fixture bracket, left, an additional cassette bracket is required from a fixture width of 6001 mm, 76068.

76068. = raised cassette fixture bracket, right, an additional cassette bracket is required from a fixture width of 6001 mm, 76068.

76198. = raised cassette bracket, coupling point

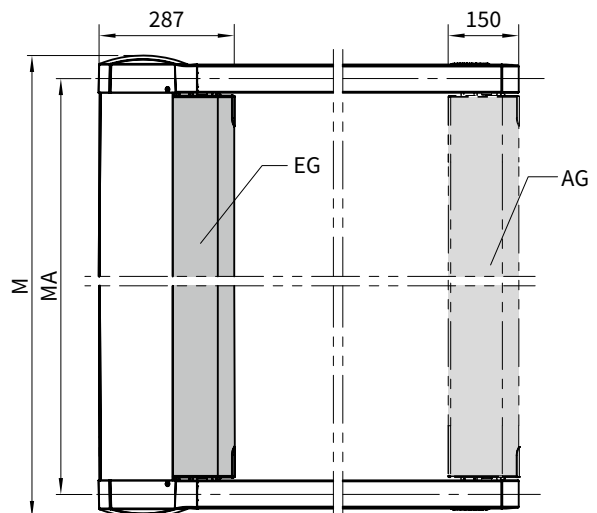
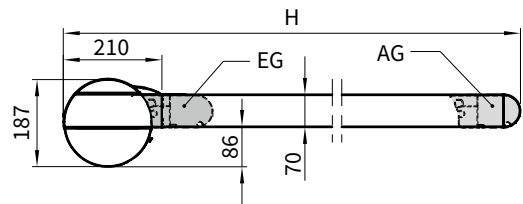
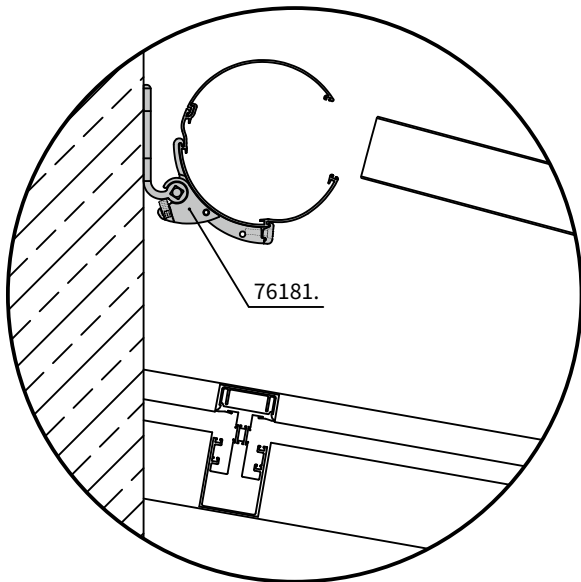
Installation dimensions

Diagonal tensioning kit for raised bottom fixture



Face fixture using cassette coupling bracket

Measurement from the back of the cassette to the leading edge of the front profile



dimensions in mm

M = overall awning width

BA = width between fixture points

MA = awning width between fixture points = fixture width = order width

76045. = track bracket with adjustable head and foot 200 mm to 500 mm

76181. = cassette coupling bracket, face fixture

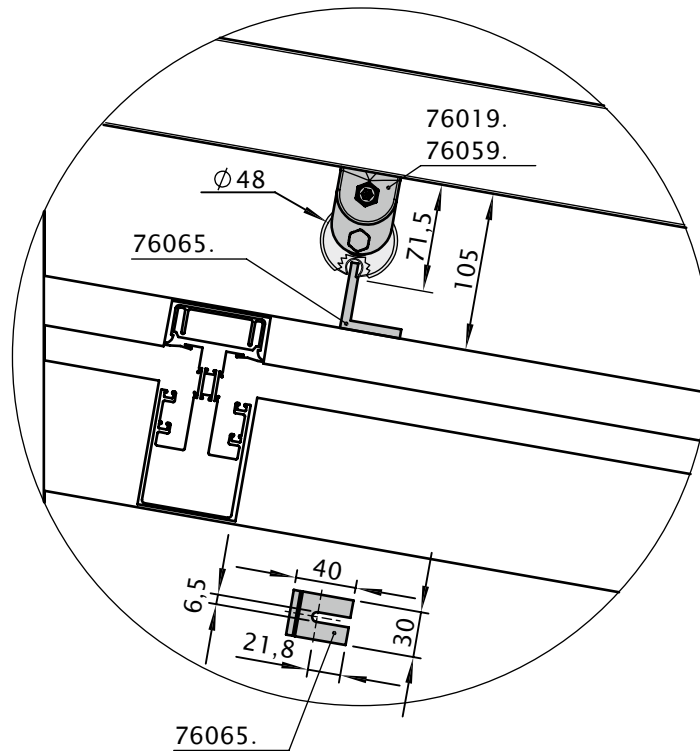
76790. = diagonal tensioning kit

EG = awning retracted

AG = awning extended

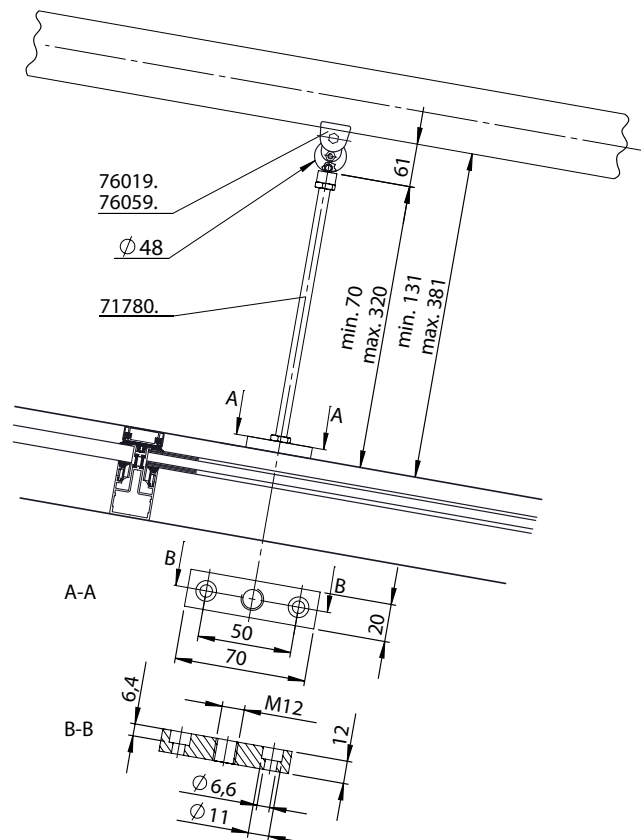
Installation dimensions

Support bracket to prevent deflection of the cover support tube (100 mm)



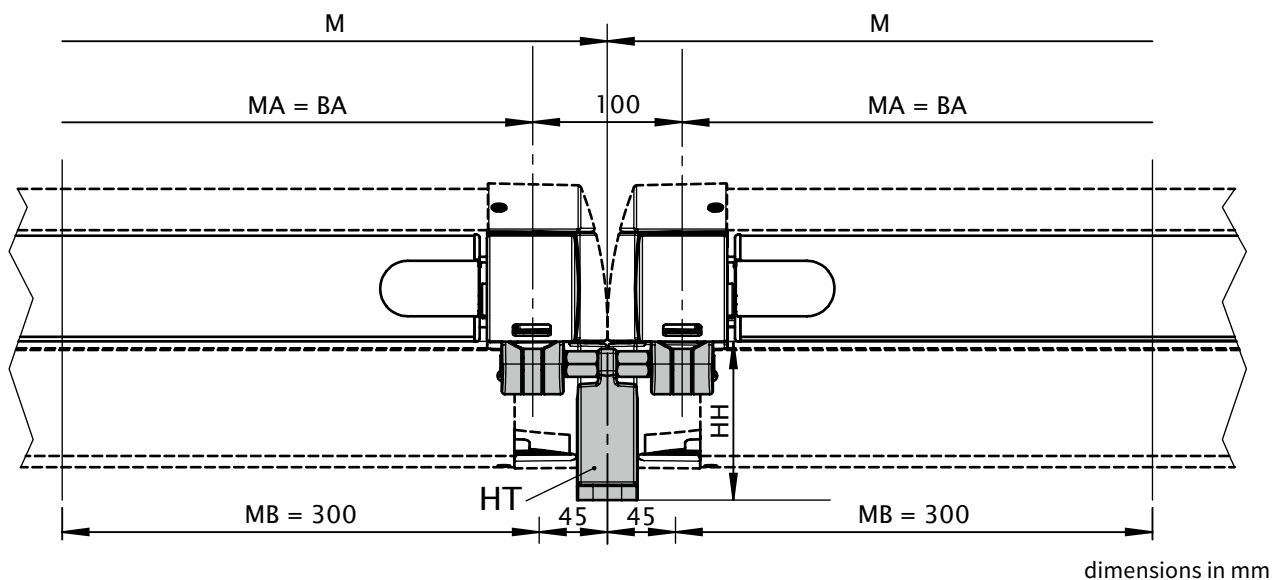
dimensions in mm

Support bracket to prevent deflection of the cover support tube, can be shortened to between 70 mm and 320 mm

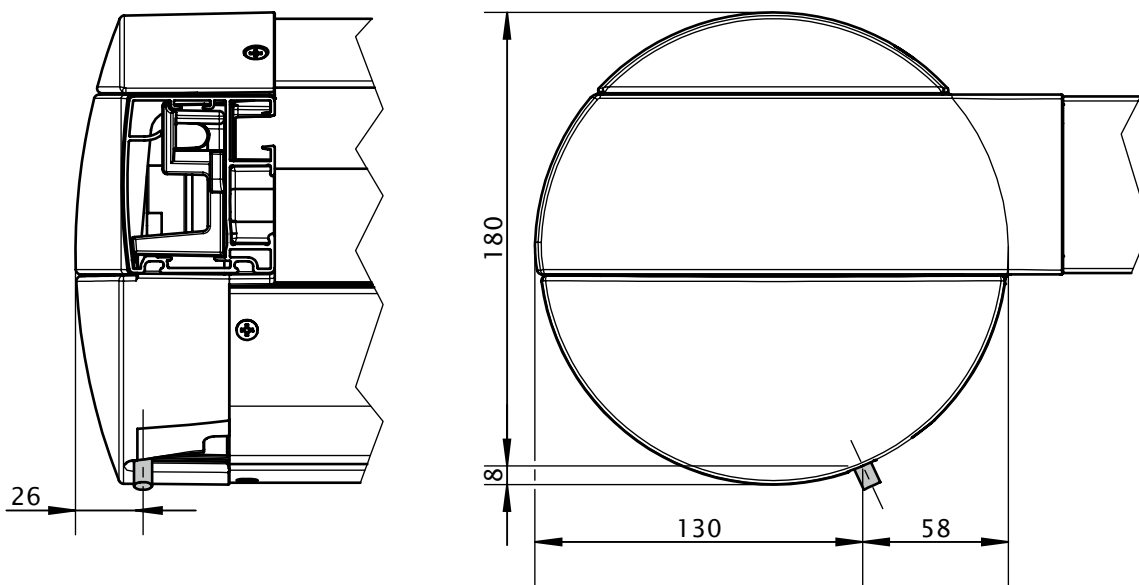


dimensions in mm

- 71780. = support to prevent deflection of the cover support tube, can be shortened to between 70 mm and 320 mm (with clamp plate)
- 76019. = bracket for cover support tube
- 76059. = coupling bracket for cover support tube
- 76065. = angled support bracket, 100 mm



HT	76191.	76192.	76193.	76194.
HH	105	145	105 to 505	205 to 505



- M = overall awning width
 BA = width between fixture points
 MA = awning width between fixture points = fixture width = order width
 HT = fixture bracket
 HH = fixture bracket height
 MB = bracket fixture range (cassette brackets)
 76191. = double track bracket assembly with adjustable head
 76192. = double track bracket assembly with adjustable head
 76193. = double track bracket assembly with adjustable head
 76194. = double track bracket assembly with adjustable head and foot

dimensions in mm