



Drop-arm cassette awning

markilux 730 / 830

The awning with arms that drop out and away from the building – an adornment for any window with value-added functionality.

markilux by Aquarius Blinds

www.aqblinds.co.uk - 0800 953 0199

markilux
safe timeless beautiful

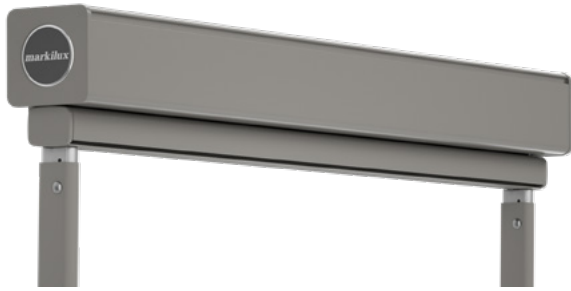
01
02
03
04
05
06
07
08
09
10
11
12
13
14
15
16
17
18
19
20

Product characteristics

Wind resistance class 2

Beaufort 5 → 7.5–10.4 m/s → 28–37 km/h → 17–23 mph

markilux 730



face fixture



top fixture



markilux 830



face fixture



top fixture



aluminium wedge-in accro bars ¹⁾
telescopic support post height 218–320 cm



retracted closing mechanism,
view of markilux 830



reveal fixture of drop arms,
stainless steel gas pistons



cover split for unit width > 400 cm



¹⁾ optional configuration

Product characteristics

Description

- the drop-arm cassette awning tensioned by gas piston technology – for widths up to 700 cm.

Special features

- fully encompassing cassette that protects the cover perfectly
- compact cassette profile that lends an attractive appearance to the unit
- attractive front profile
- optimum cover tension provided by drop arms that use high-grade stainless steel gas pistons
- sturdy drop arms with unique mechanism that enables the front profile to close tightly against the underside of the cassette
- option of wedge-in accro bars making it possible to install the awning between floor and ceiling – ideal for balconies
- front profile optionally with valance

Dimensions

- single unit: 74 cm – 700 cm in width.
- maximum drop arm lengths / cover drops: 80 / 160 cm, 100 / 200 cm, 120 / 250 cm, 150 / 250 cm
- intermediate sizes are available

Roller tube and lateral bearings

- round roller tube Ø 63 mm with keyway, galvanised steel
- the roller tube bearing is made of stainless steel

Awning profiles

- extruded aluminium, in façade quality, powder coated
- markilux 730: cassette profile in one piece, square, height × depth 95 mm × 95 mm
- markilux 830: cassette profile in two pieces, round tear-shaped, Ø 115 mm
- Front profile angular, height × depth 40 mm × 50 mm.

Drop arms

- u-shaped profile, width × profile depth 25 mm × 32 mm, attractively rounded, extruded aluminium, powder coated
- maximum angle of drop 140°
- excellent tension provided by marine grade stainless steel gas pistons, pressure 580 N

Side caps

markilux 730:

- the cassette end caps are made of high-quality plastic, powder coated
- the front profile end caps are made of high-quality plastic, powder coated

markilux 830:

- the cassette end caps are made of high-quality plastic, powder coated
- the front profile end caps are made of high-quality plastic, powder coated

Fixture brackets

- extruded aluminium, powder coated
- cassette brackets: face fixture, top fixture, reveal fixture
- brackets for the drop arms: face fixture, reveal fixture
- other accessories are available

01 **Frame colours**

02 markilux frame colours without surcharge

03 traffic white RAL 9016

04 metallic aluminium RAL 9006

05 grey brown, similar to RAL 8019



09 off-white textured finish, 5233 ¹⁾

10 stone grey metallic, 5215 ¹⁾

11 anthracite metallic, 5204 ¹⁾



15 Havana brown textured finish, 5229 ¹⁾



17 **Non-standard powder-coated finish**

18 Bespoke frame colours at a surcharge – matt, metallic and pearl finishes as well as other colour ranges (DB, Tiger etc.) on request.
19 All frame colours are available at a surcharge with enhanced corrosion protection.

20 ¹⁾ textured finish

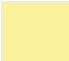


Colours may differ slightly from those depicted in both hue and finish.

Dimensions and configuration options

Single unit

		Overall awning width												Minimum width		
		100	150	200	250	300	350	400	450	500	550	600	650	700	Hard-wired motor	Radio-controlled motor
Order dimensions		50	101	151	201	251	301	351	401	451	501	551	601	651	75	74
		100	150	200	250	300	350	400	450	500	550	600	650	700		
AL	80 ¹⁾															
	100 ²⁾															
	120 ³⁾															
	150 ³⁾															

- 1) = cover length 160 cm
- 2) = cover length 200 cm
- 3) = cover length 250 cm
- AL = arm length

-  = 2 brackets, 2 drop arms
-  = 3 brackets, 2 drop arms
-  = 3 brackets, 3 drop arms, 1 nylon support bearing (split cover)

dimensions in cm

Operation

	standard	optional
crank handle, on the outside	✓	—
crank handle, operation from the rear	—	✓ ¹⁾
crank handle, interior operation	—	✓ ¹⁾
hard-wired motor	—	✓
radio-controlled motor io, 868 MHz	—	✓
radio-controlled motor RTS, 433 MHz	—	✓

1) up to a maximum awning width of 400 cm

Coupled Awning

not available

Optional accessories

wedge-in accro bars
valance
automatic controls (light, wind, rain)

N.B! Important background information can be found in the chapter "Optional Accessories".

Awning cover

	fabric range no.	standard	optional
sunvas	301.. / 309..-315..	✓	—
perla	370 ..	—	—
sunsilk	324.. / 325.. / 328.. / 369..	✓	—
perla FR	374.. / 375..	—	—
perfortex	331.. / 332..	✓	—
transolair	338..	—	✓
transolair (120 cm)	339..	—	✓
vuscreen Alu	317..	—	✓
Soltis Perform 92	92-20..	—	✓
glass fibre screen	272..	—	—
valance, height 20 cm		—	✓

N = seamless

LN = vertical seam(s), panel width usually 120 cm

QN = horizontal seam(s)

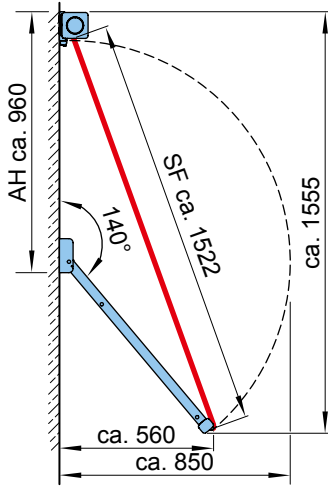
01
02
03
04
05
06
07
08
09
10
11
12
13
14
15
16
17
18
19
20

01
02
03
04
05
06
07
08
09
10
11
12
13
14
15
16
17
18
19
20

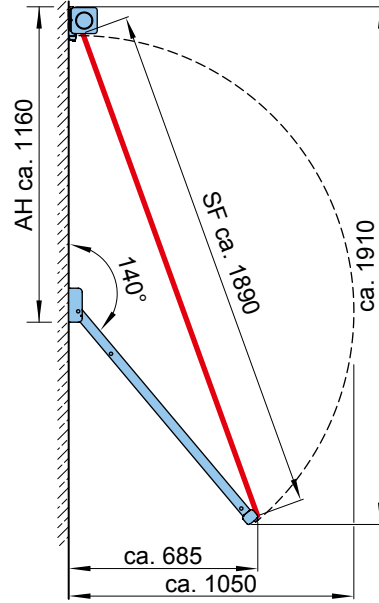
Window coverage

On the basis of the standard arm lengths

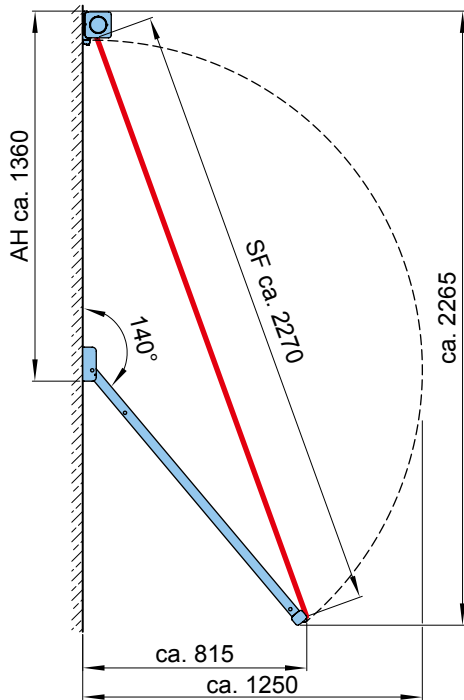
Arm length: 80 cm
Cover length: 160 cm



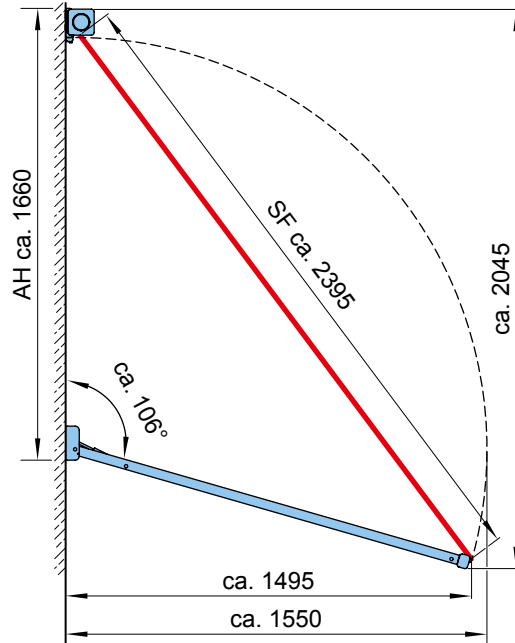
Arm length: 100 cm
Cover length: 200 cm



Arm length: 120 cm
Cover length: 250 cm



Arm length: 150 cm
Cover length: 250 cm

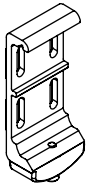
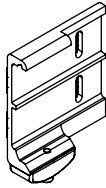
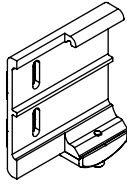
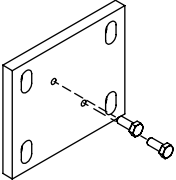
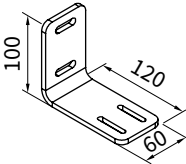
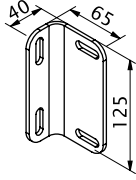
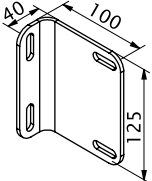
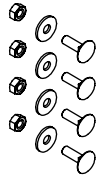
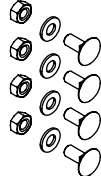
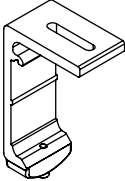
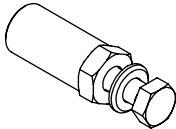
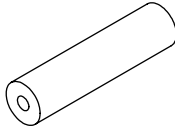


AH = unit height
SF = visible cover area

dimensions in mm

markilux 730

Fixtures, fittings and accessories

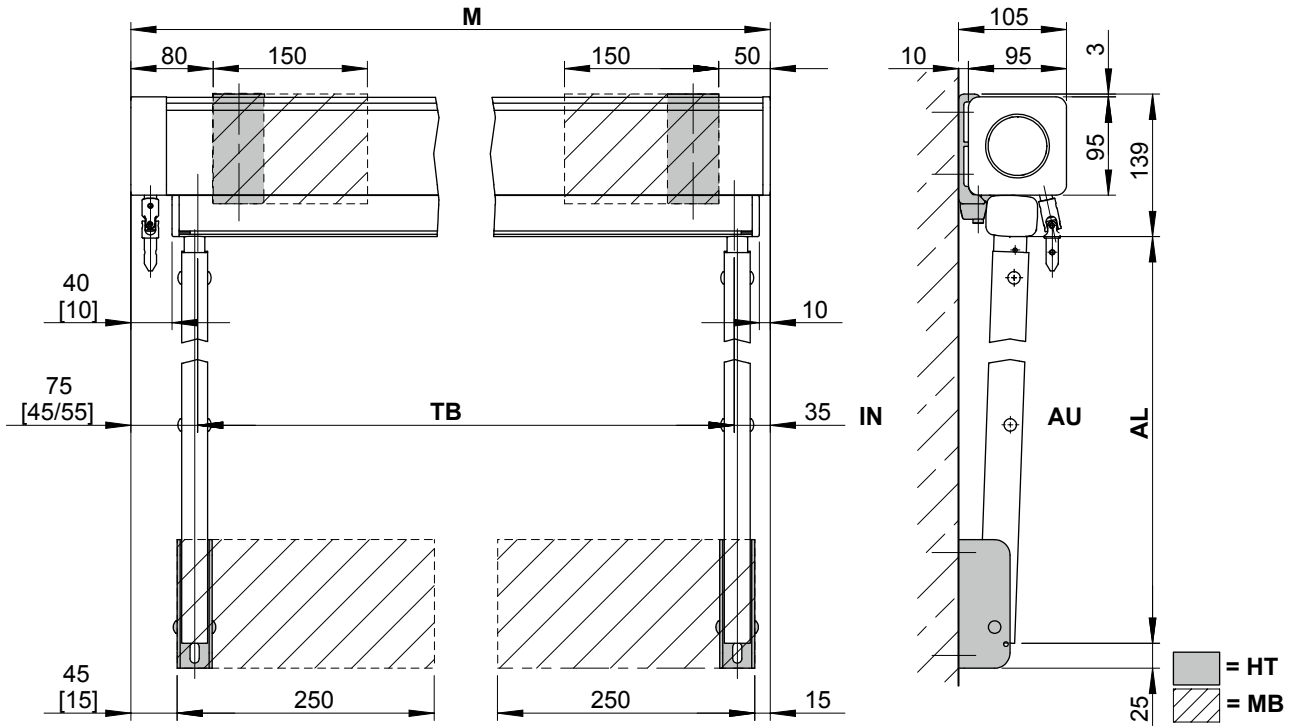
 <p>face fixture bracket 50 mm</p> <p>78797.</p>	 <p>face fixture bracket with fishplate for extended fixture, right</p> <p>N.B! not for the operation side: • interior operation • operation from the rear</p> <p>78920.</p>	 <p>face fixture bracket with fishplate for extended fixture, left</p> <p>N.B! not for the operation side: • interior operation • operation from the rear</p> <p>78921.</p>
 <p>spreader plate for face fixture / universal bracket 120 × 100 × 10 mm</p> <p>78982.</p>	 <p>additional angled bracket for reveal fixture 120 × 100 × 60 mm please order additional accessories 792931!</p> <p>77220.</p>	 <p>additional angled bracket for lateral arm fixture reveal fixture 65 × 40 × 125 mm bearing / motor side please order additional accessories 793151!</p> <p>78912.</p>
 <p>additional angled bracket for lateral arm fixture reveal fixture 100 × 40 × 125 mm gearbox side please order additional accessories 793151!</p> <p>78913.</p>	 <p>accessories for two angled brackets 77220.</p> <p>792931</p>	 <p>accessories for two angled brackets 78912. or 78913.</p> <p>793151</p>
 <p>top fixture bracket 50 mm</p> <p>78859.</p>	 <p>bolt reduction assembly M 10 → M 6 / SW 13 pack 10 pcs</p> <p>753211</p>	 <p>stand-off fixing tube 30 × 10 × 1000 mm N.B! max. stand-off distance 120 mm</p> <p>701668</p>

01
02
03
04
05
06
07
08
09
10
11
12
13
14
15
16
17
18
19
20

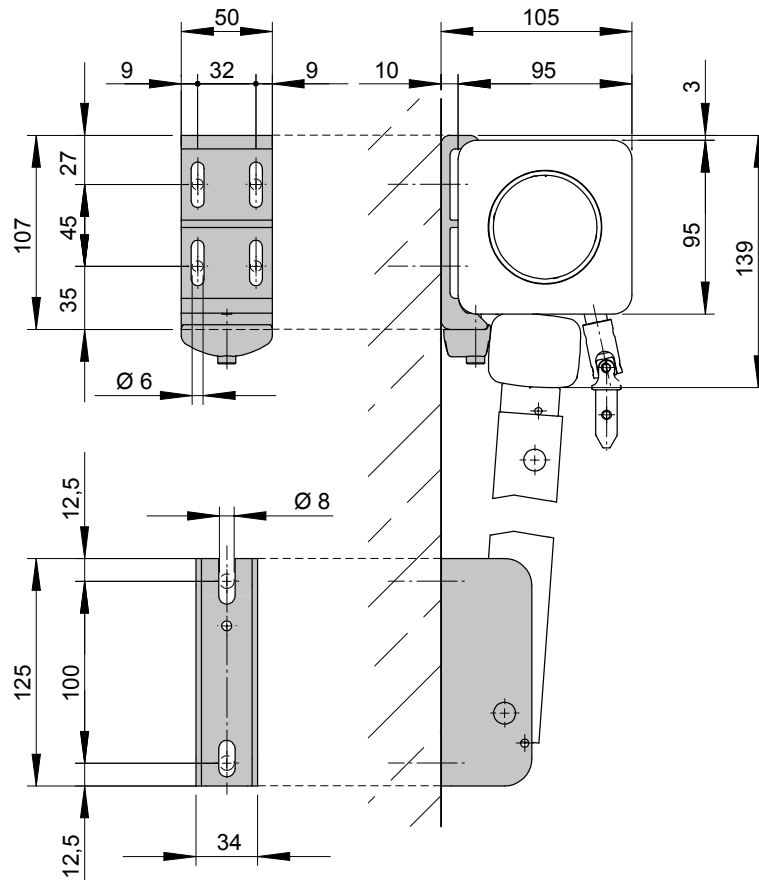
01
02
03
04
05
06
07
08
09
10
11
12
13
14
15
16
17
18
19
20

markilux 730

Dimension overview



Face fixture



[...] = dimensions in the case of motor / interior operation (MO)

AL = order dimension = arm length

AU = exterior

HT = bracket

IN = interior

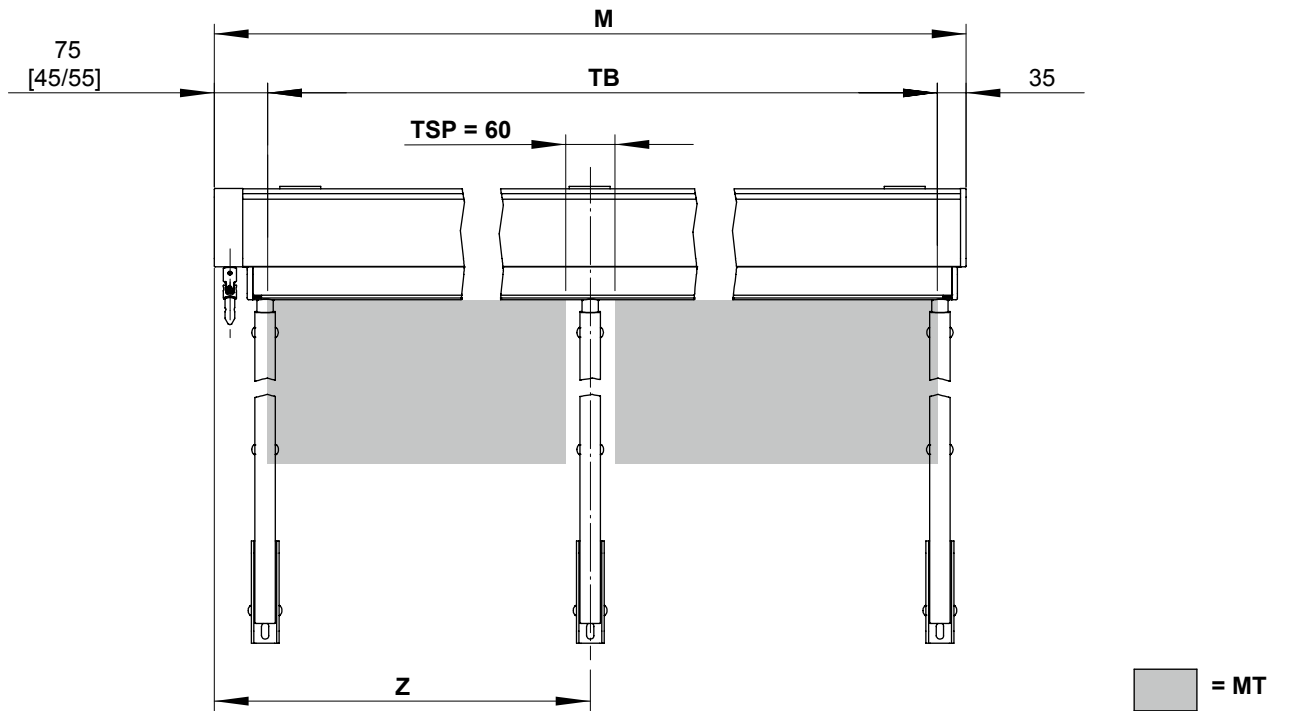
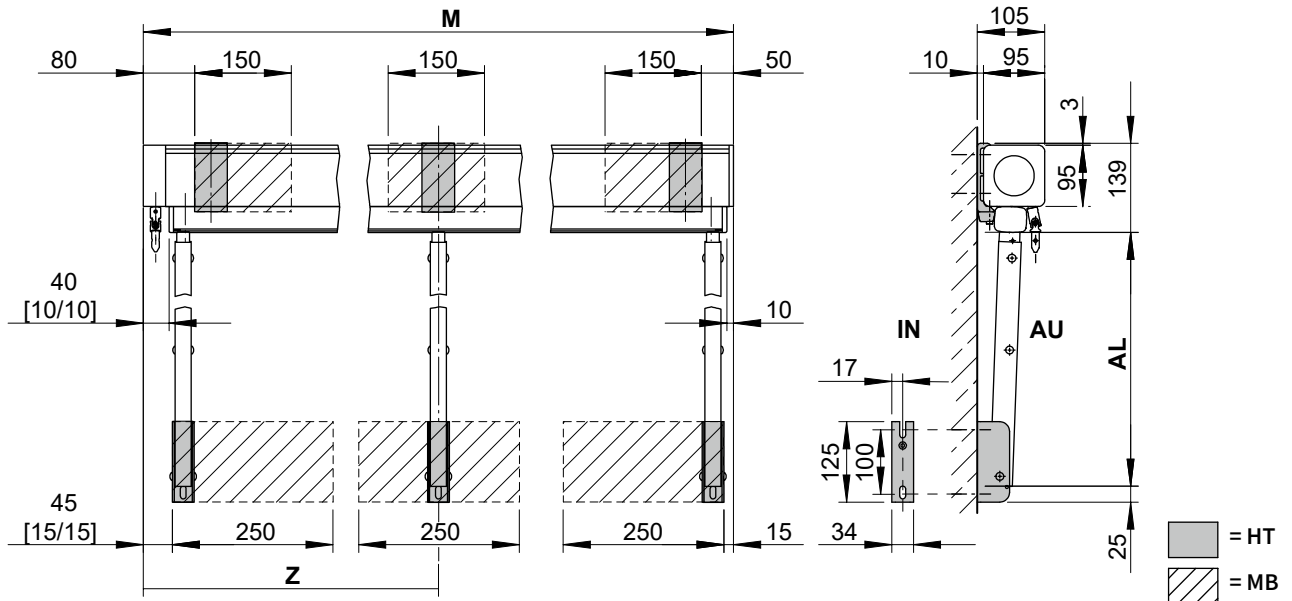
M = order dimension = awning width

MB = bracket fixture range

TB = cover width

dimensions in mm

markilux 730



[...] = dimensions in the case of motor / interior operation (MO)

AL = *order dimension* = arm length

AU = exterior

HT = bracket

IN = interior

M = *order dimension* = awning width

MB = bracket fixture range

MT = awning cover

TB = cover width

TSP = cover gap

Z = please note where the split in the cover should be when ordering (measured from the left)

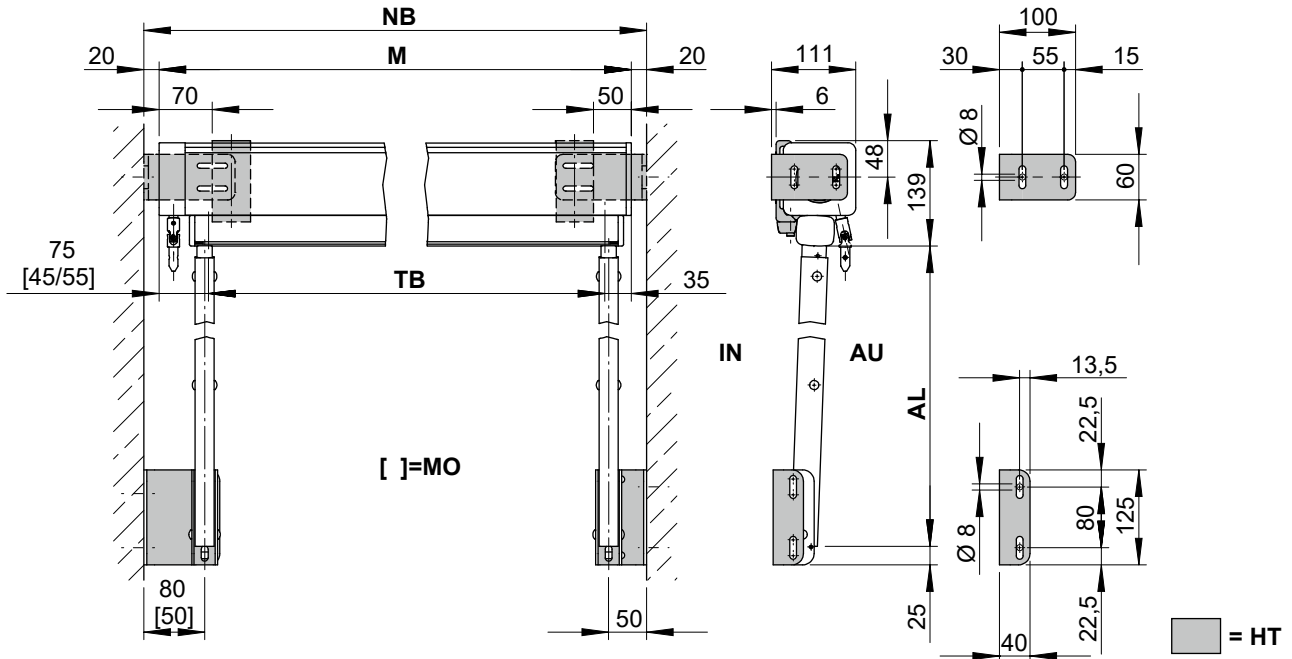
dimensions in mm

01
02
03
04
05
06
07
08
09
10
11
12
13
14
15
16
17
18
19
20

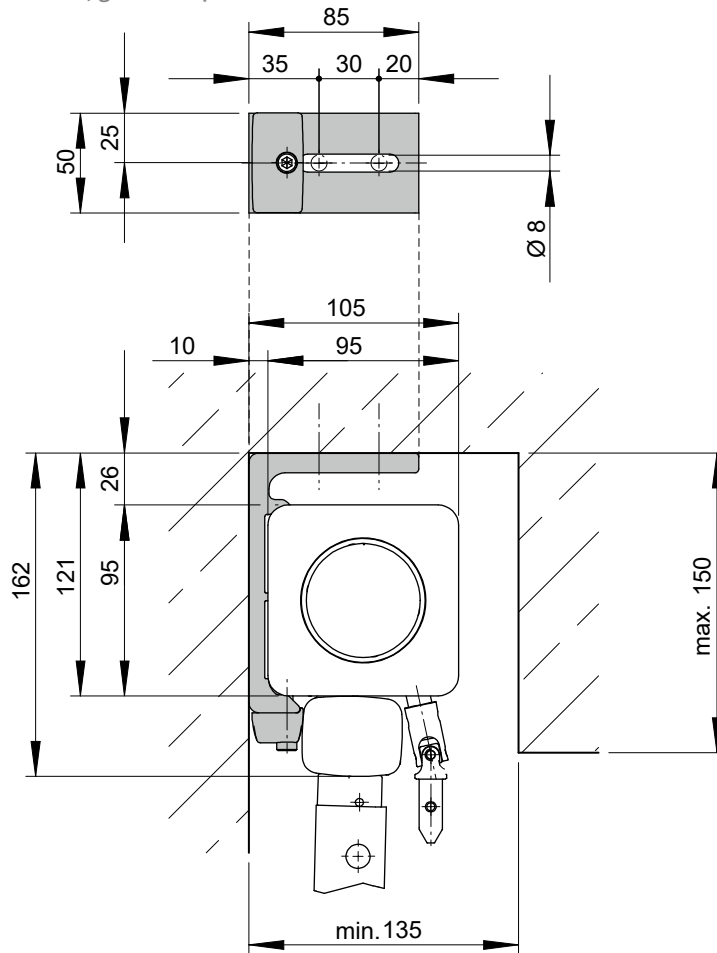
01
02
03
04
05
06
07
08
09
10
11
12
13
14
15
16
17
18
19
20

markilux 730

Reveal fixture, gearbox / motor operation



Reveal fixture in a top window well, gearbox operation



[...] = dimensions in the case of motor / interior operation (MO)

AL = order dimension = unit height

AU = exterior

HT = bracket

IN = interior

M = order dimension = awning width

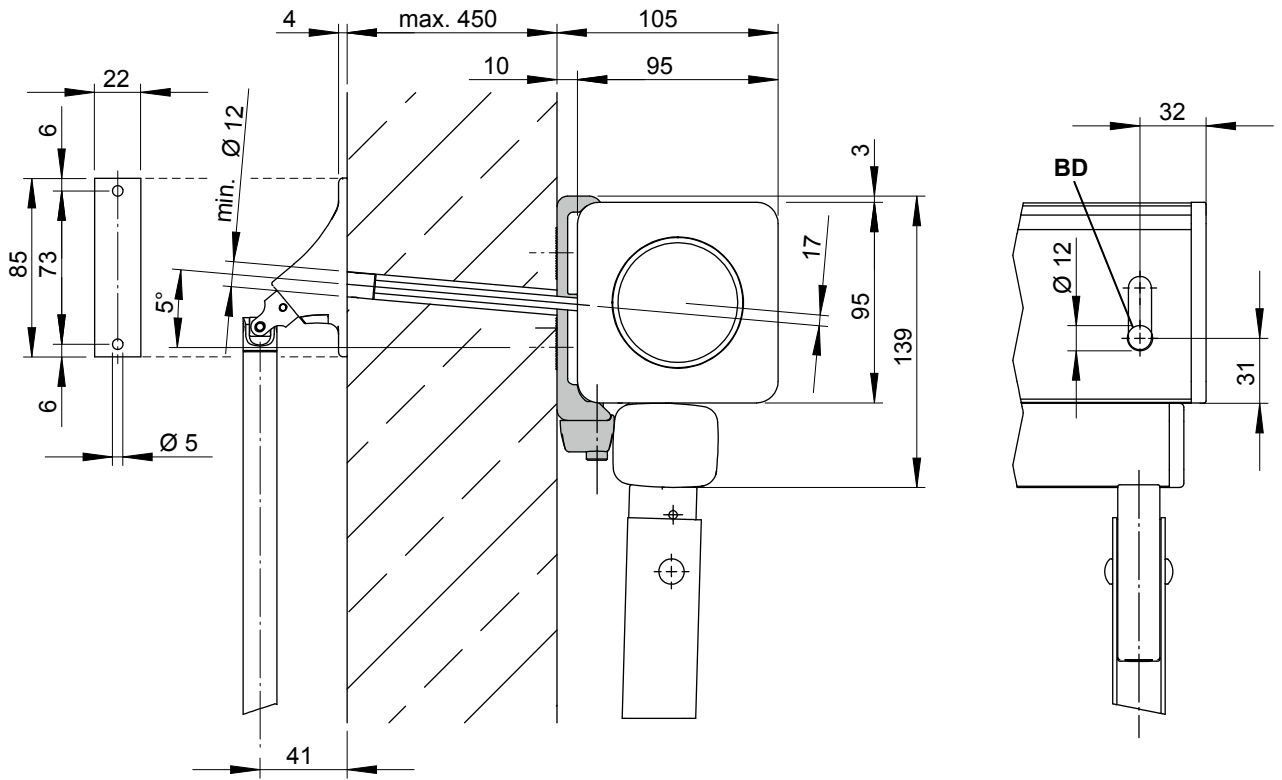
NB = reveal width

TB = cover width

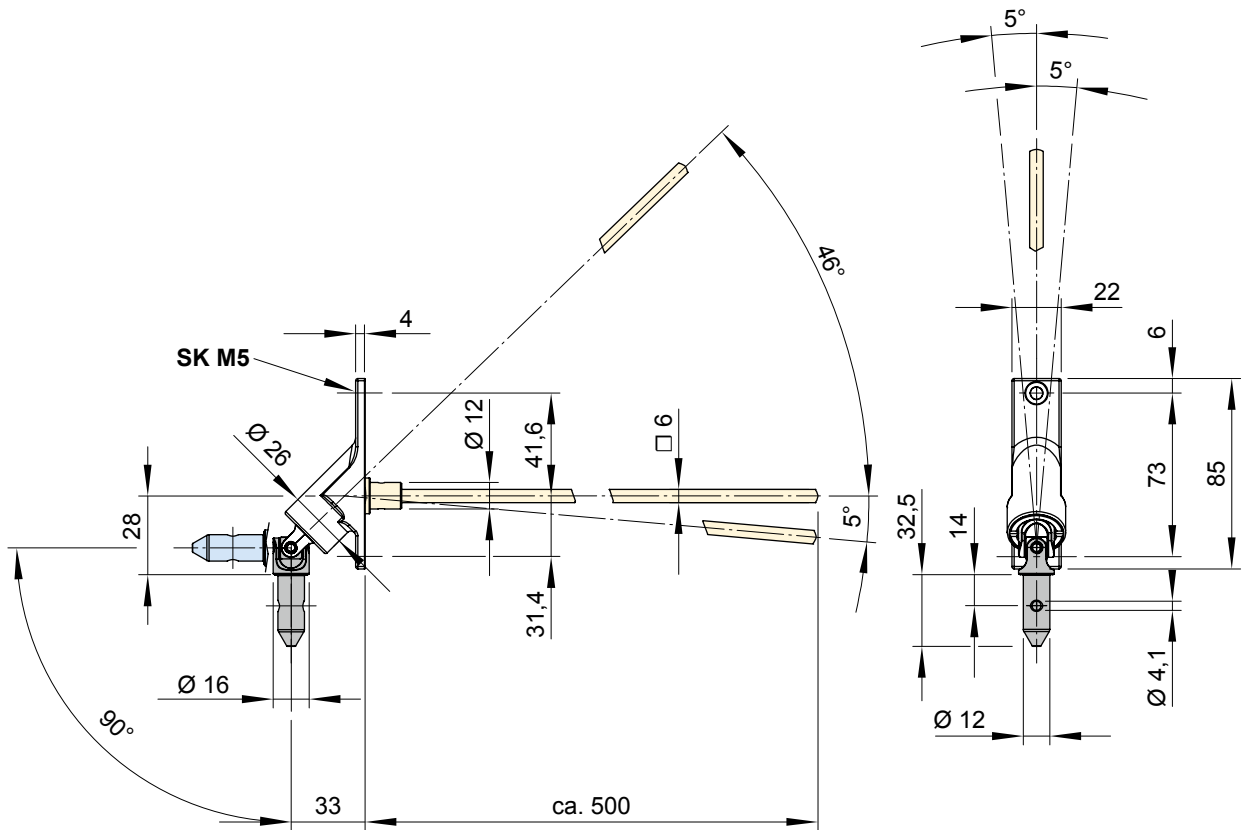
dimensions in mm

markilux 730

Face fixture, interior operation



Handle for interior operation



BD = horizontal drill hole

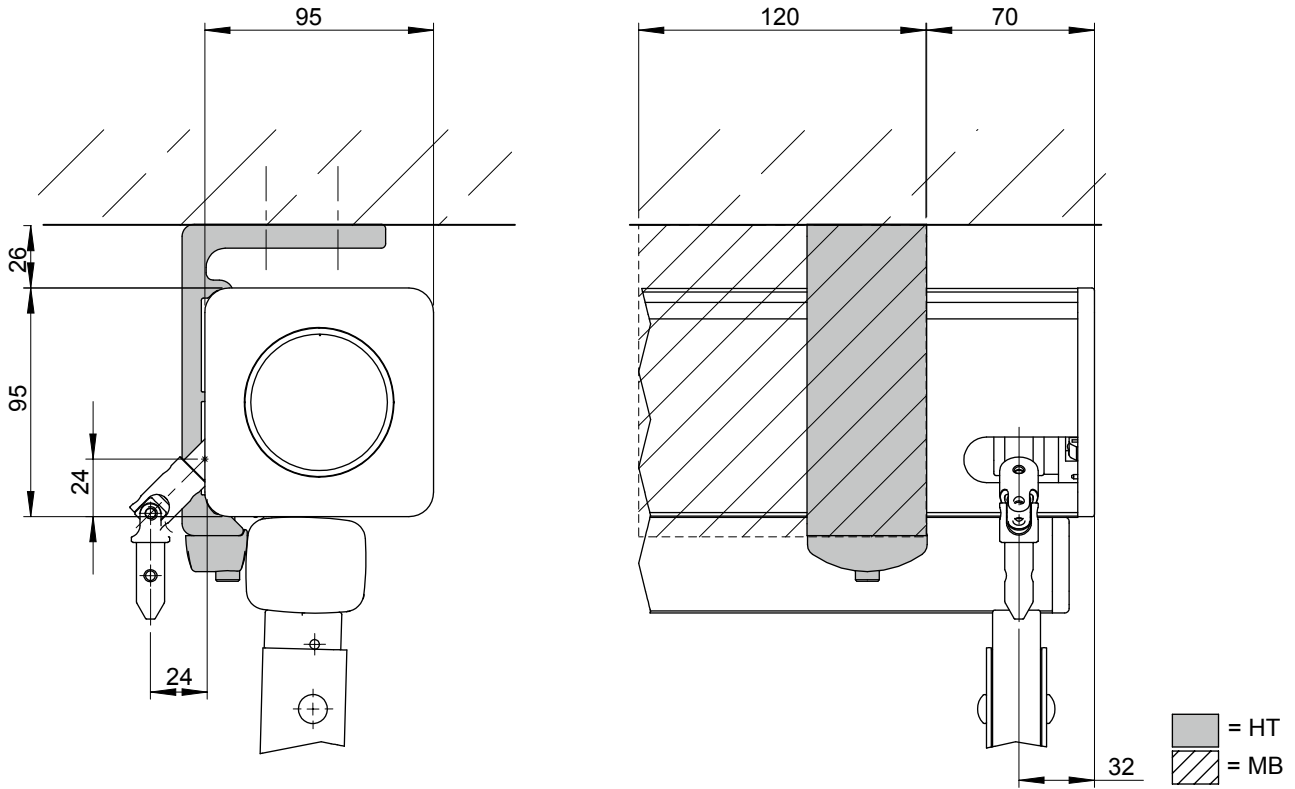
SK = countersunk screw hole M5

dimensions in mm

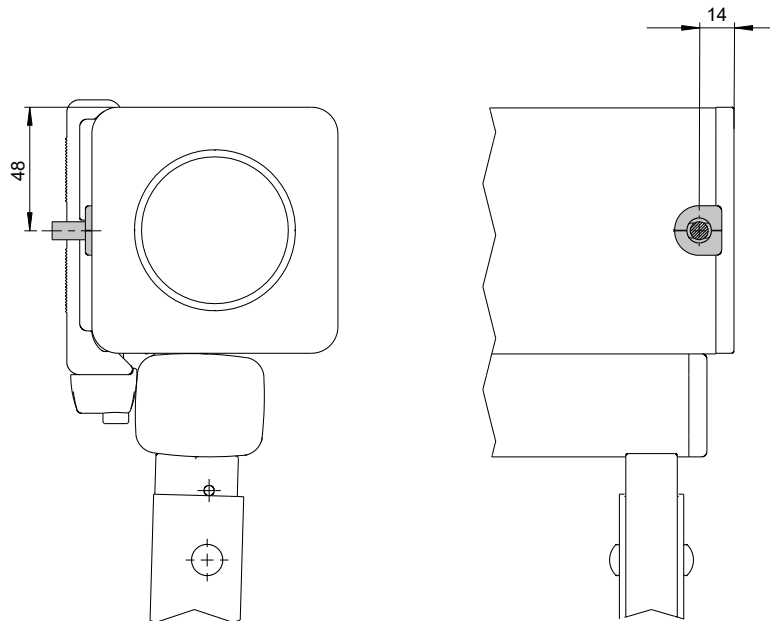
01
02
03
04
05
06
07
08
09
10
11
12
13
14
15
16
17
18
19
20

markilux 730

Manual operation from the rear



Motor cable exit point

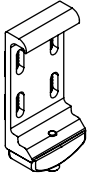


HT = bracket
MB = bracket fixture range

dimensions in mm

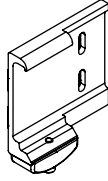
markilux 830

Fixtures, fittings and accessories



face fixture bracket
50 mm

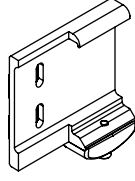
78726.



face fixture bracket
with fishplate for
extended fixture, right

N.B!
not for the operation side:
• interior operation
• operation from the rear

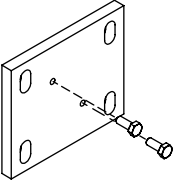
78748.



face fixture bracket
with fishplate for
extended fixture, left

N.B!
not for the operation side:
• interior operation
• operation from the rear

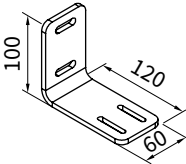
78749.



spreader plate
for face fixture /
universal bracket

120 × 100 × 10 mm

78982.

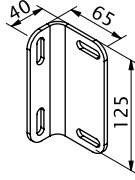


additional angled bracket
for reveal fixture

120 × 100 × 60 mm

please order additional
accessories 792931!

77220.

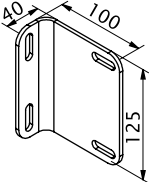


additional angled bracket
for lateral arm fixture
reveal fixture

65 × 40 × 125 mm
bearing / motor side

please order additional
accessories 793151!

78912.

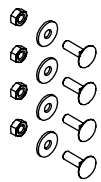


additional angled bracket
for lateral arm fixture
reveal fixture

100 × 40 × 125 mm
gearbox side


please order additional
accessories 793151!

78913.



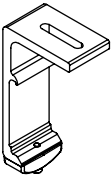
accessories
for two angled brackets
77220.

792931



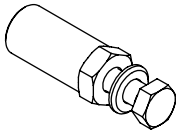
accessories for two
angled brackets 78912.
or 78913.

793151



top fixture bracket
50 mm

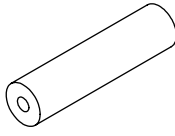
78727.



bolt reduction assembly
M 10 → M 6 / SW 13

pack 10 pcs

753211



stand-off fixing tube
30 × 10 × 1000 mm

N.B!
max. stand-off distance
120 mm

701668

01
02
03
04
05
06
07
08
09
10
11
12
13
14
15
16
17
18
19
20

01

markilux 830

Dimension overview

02

03

04

05

06

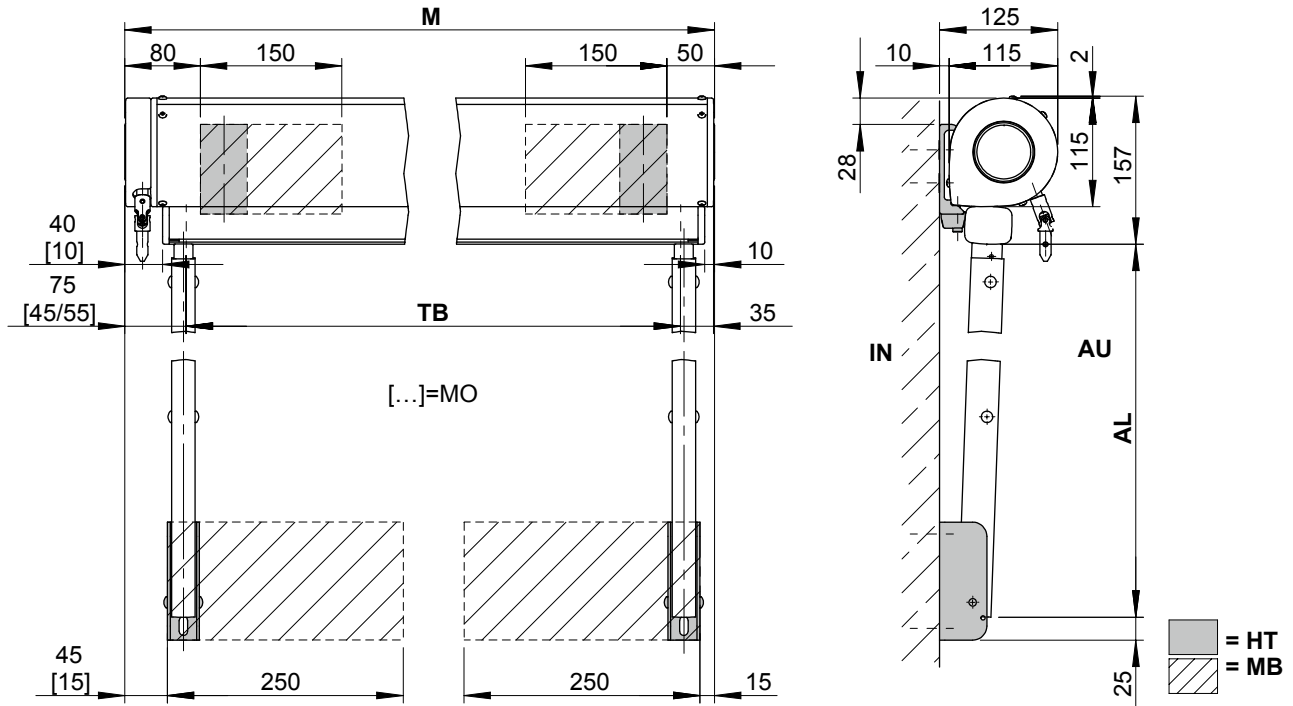
07

08

09

10

11



12

Face fixture

13

14

15

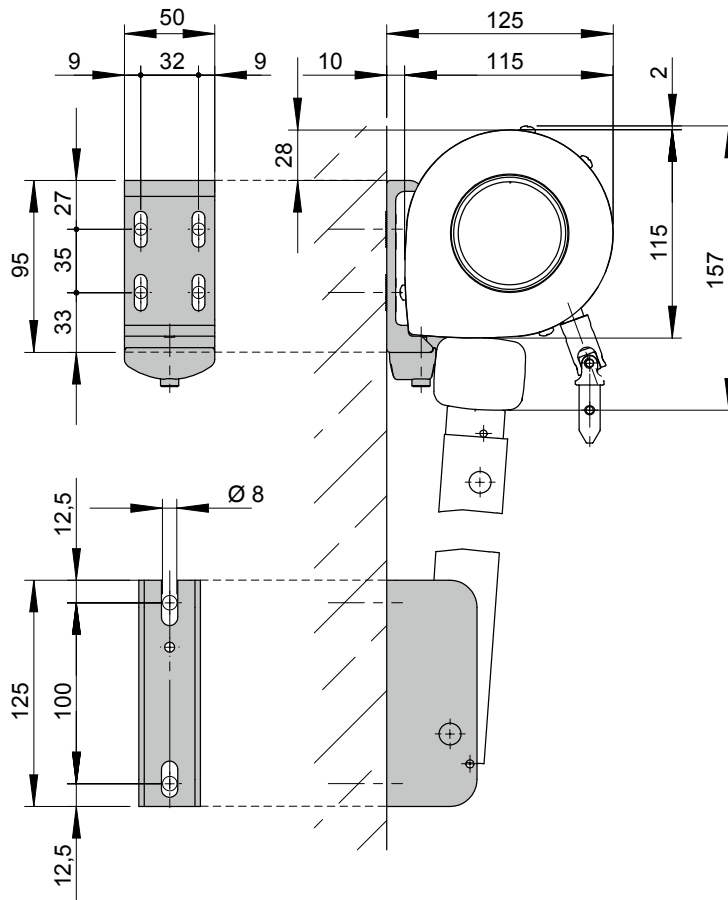
16

17

18

19

20



[...] = dimensions in the case of motor / interior operation (MO)

AL = order dimension = arm length

AU = exterior

HT = bracket

IN = interior

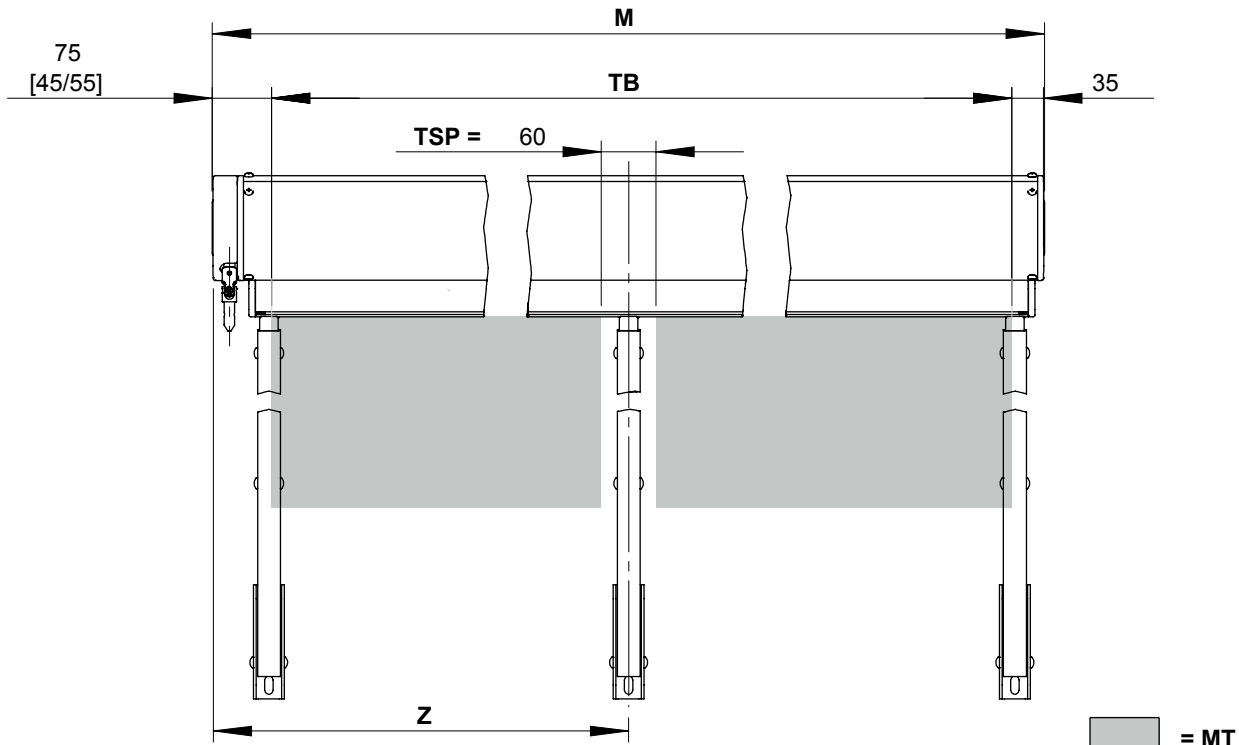
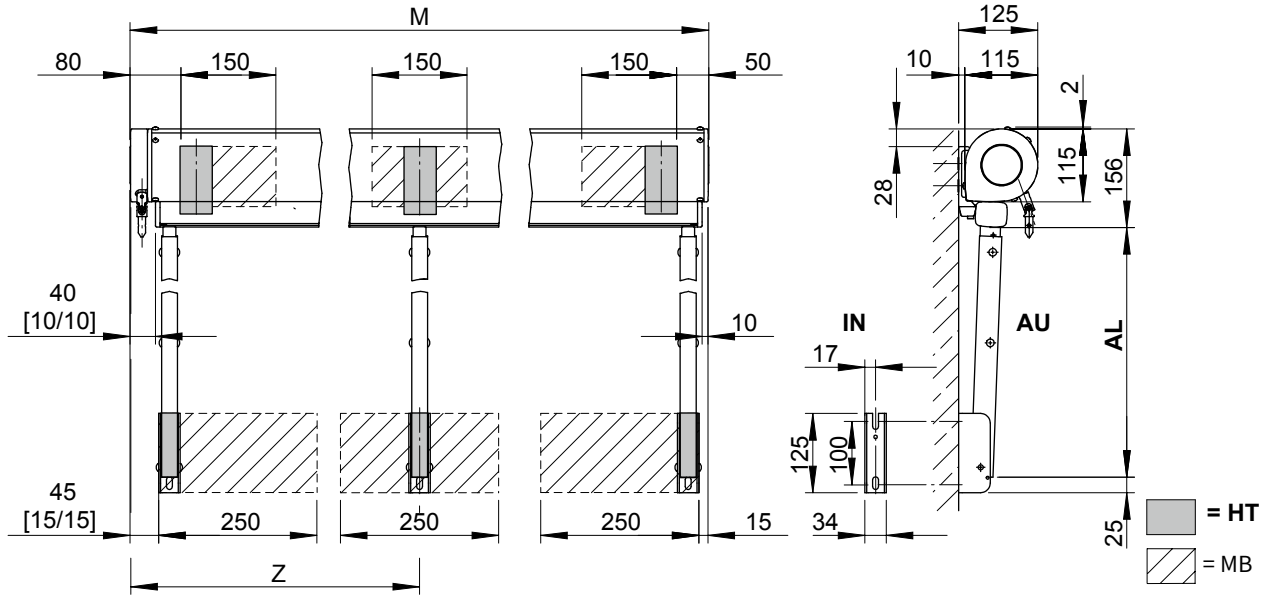
M = order dimension = awning width

MB = bracket fixture range

TB = cover width

dimensions in mm

markilux 830



[...] = dimensions in the case of motor / interior operation (MO)

AL = order dimension = arm length

AU = exterior

HT = bracket

IN = interior

M = order dimension = awning width


MB = bracket fixture range

MT = awning cover

TB = cover width

TSP = cover gap

Z = please note where the split in the cover should be when ordering (measured from the left)

 = MT

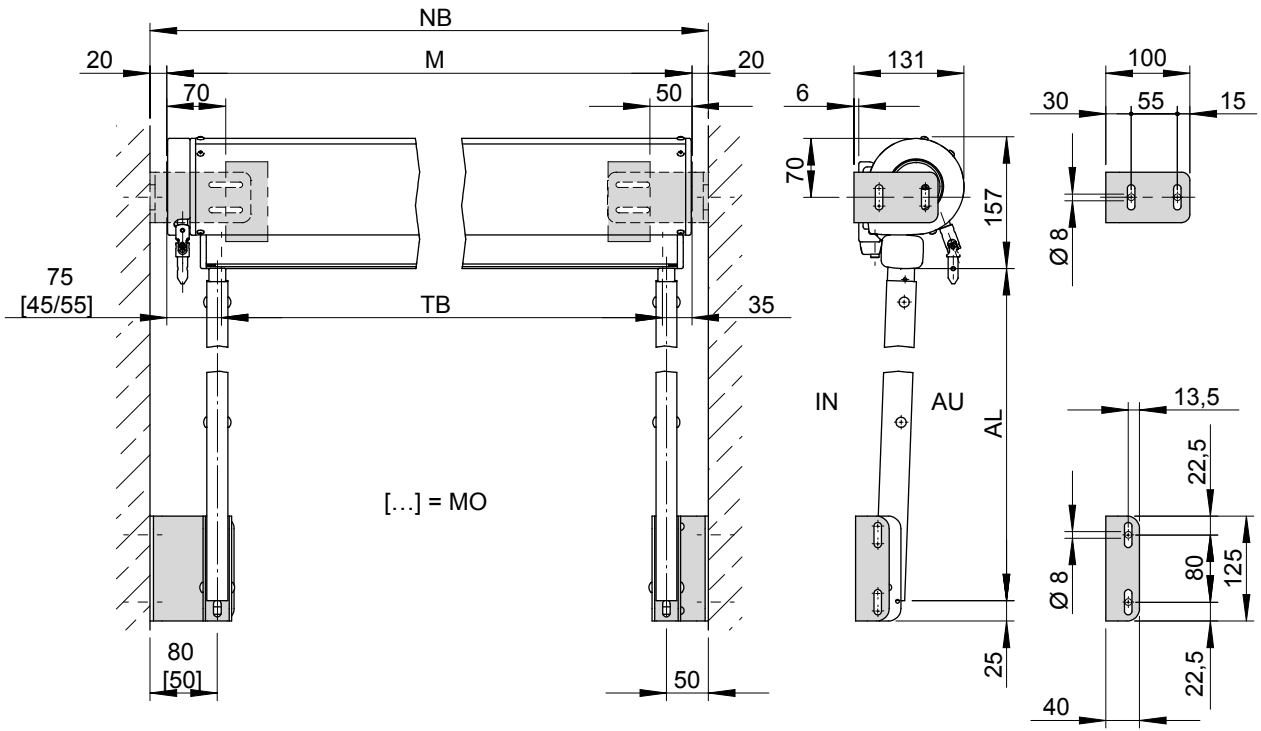
dimensions in mm

01
02
03
04
05
06
07
08
09
10
11
12
13
14
15
16
17
18
19
20

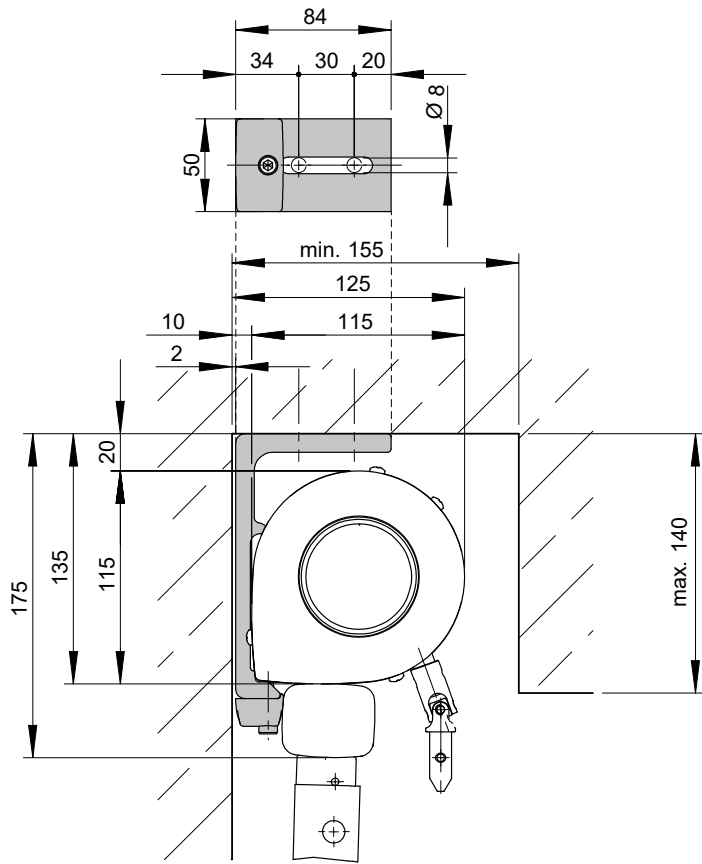
01
02
03
04
05
06
07
08
09
10
11
12
13
14
15
16
17
18
19
20

markilux 830

Reveal fixture, gearbox / motor operation



Reveal fixture in a window well, gearbox operation



[...] = dimensions in the case of motor / interior operation (MO)

AL = order dimension = unit height

AU = exterior

HT = bracket

IN = interior

M = order dimension = awning width

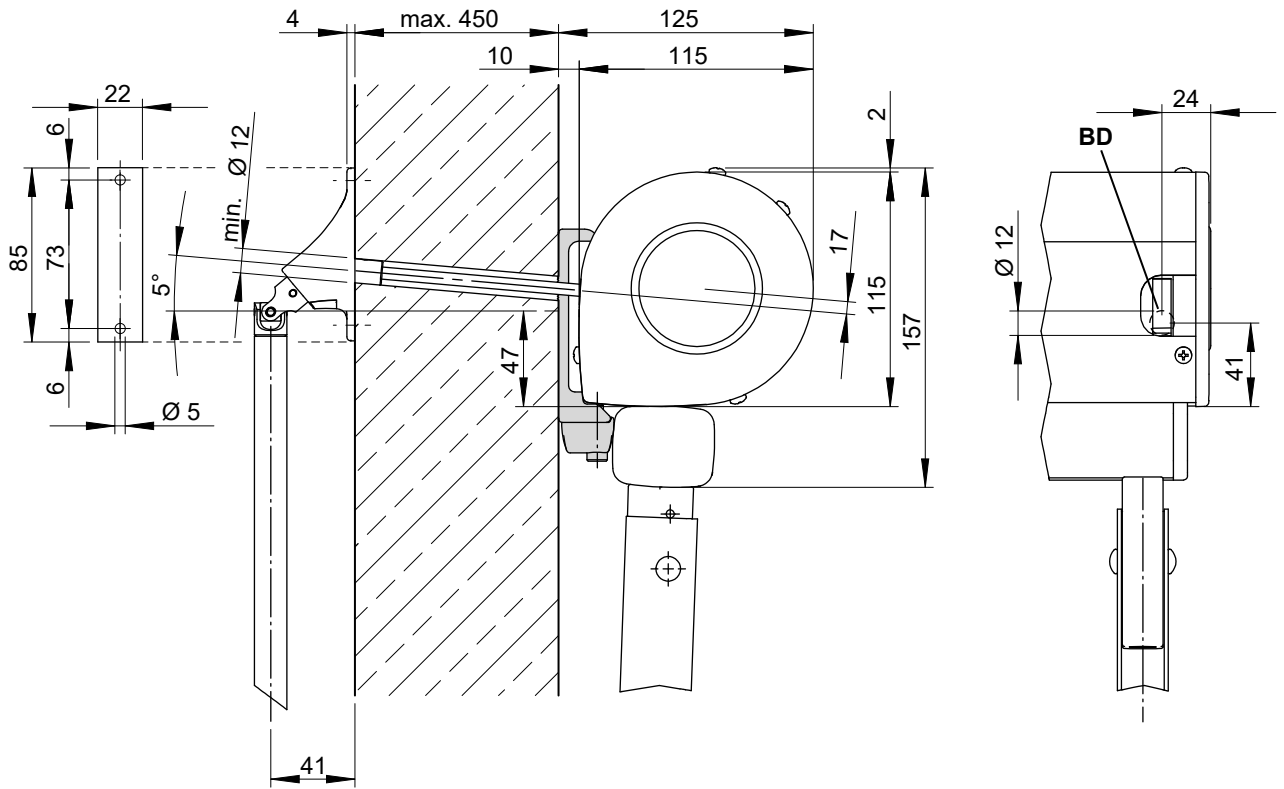
NB = reveal width

TB = cover width

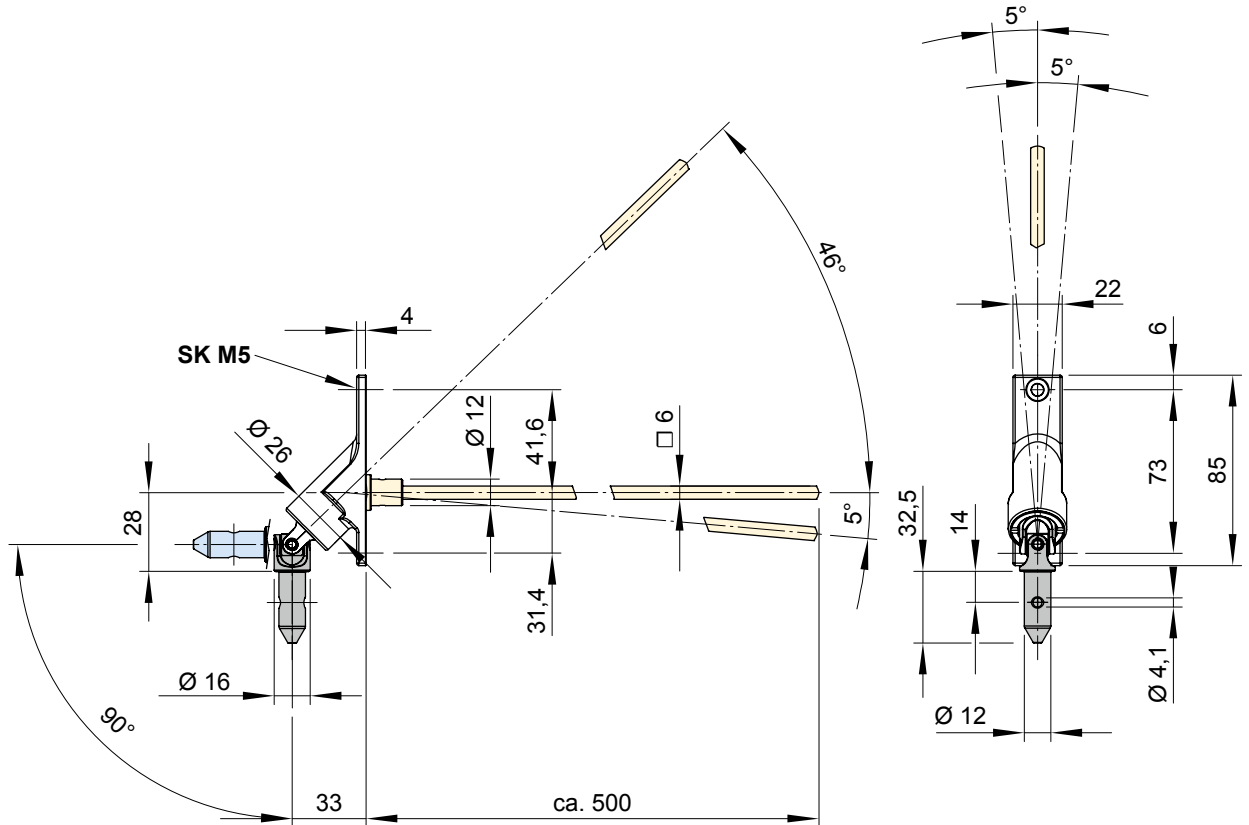
dimensions in mm

markilux 830

Face fixture, interior operation



Handle for interior operation



BD = horizontal drill hole

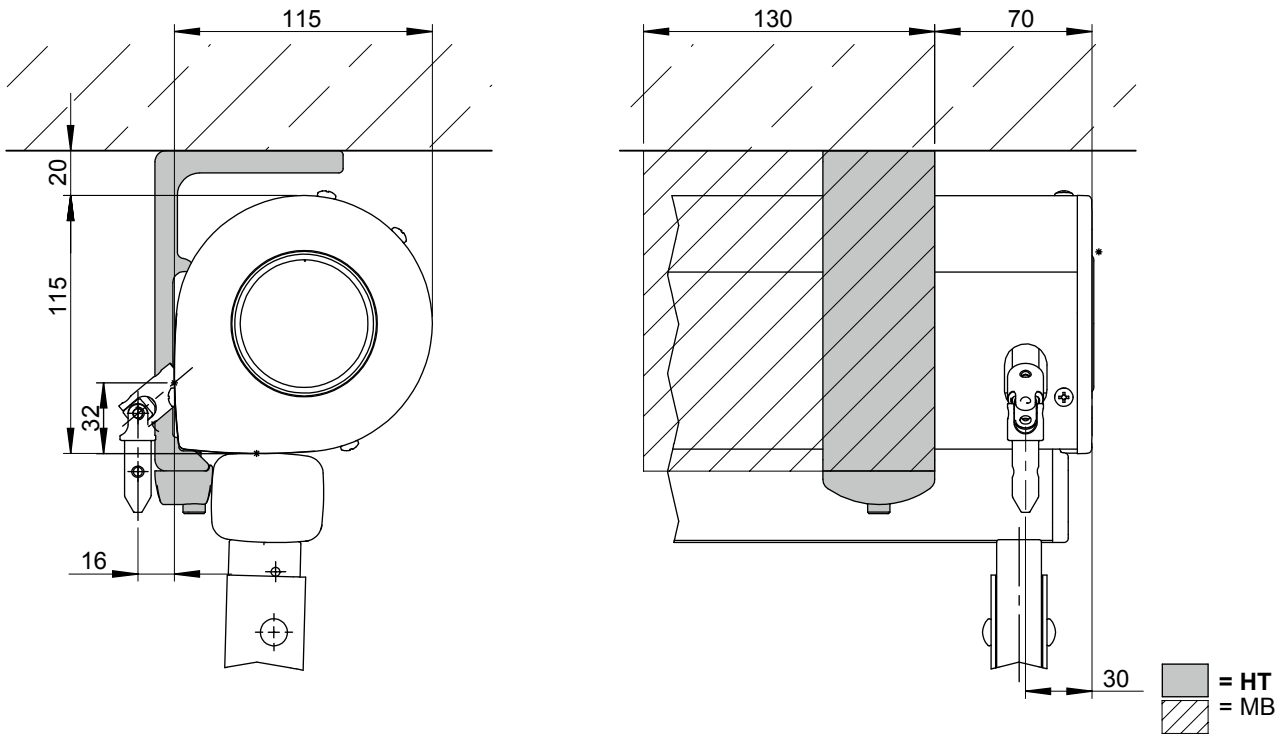
SK = countersunk screw hole M5

dimensions in mm

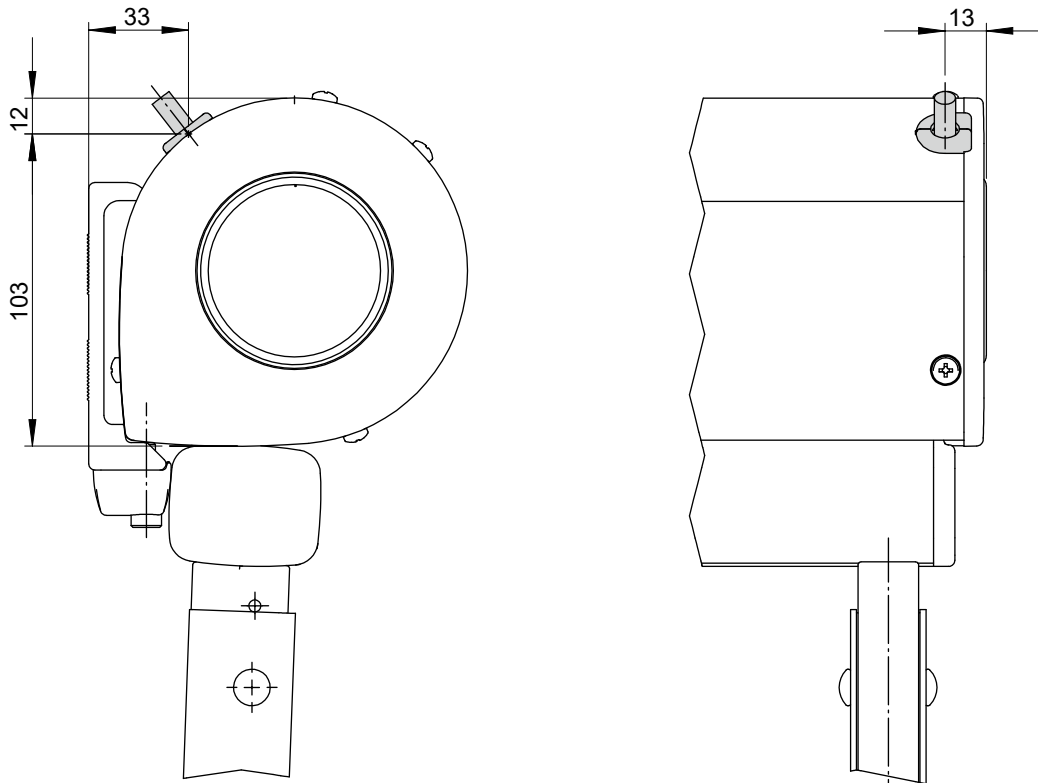
01
02
03
04
05
06
07
08
09
10
11
12
13
14
15
16
17
18
19
20

markilux 830

Manual operation from the rear



Motor cable exit point

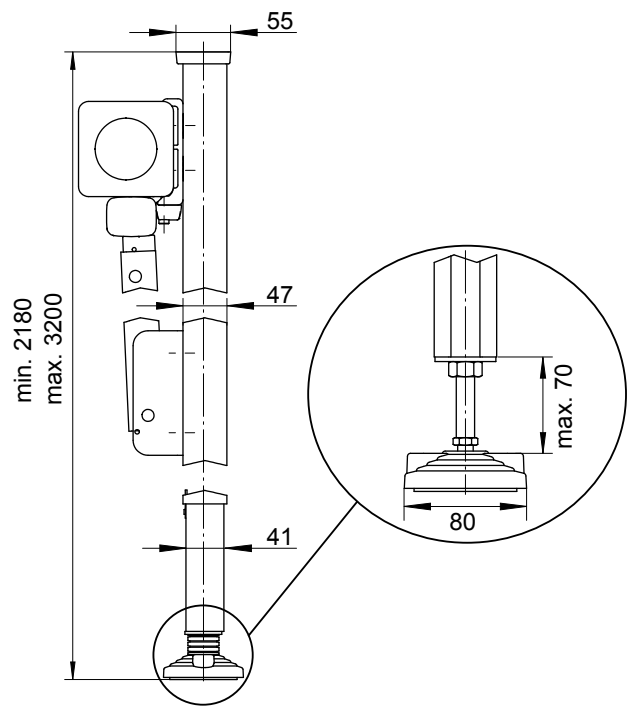


HT = bracket
MB = bracket fixture range

dimensions in mm

wedge-in accro bars

Illustrated by way of the markilux 730



N.B! Telescopic range 218–320 cm.
Maximum awning width 400 cm, up to two drop arms.

- 01
- 02
- 03
- 04
- 05
- 06
- 07
- 08
- 09
- 11**
- 12
- 13
- 14
- 15
- 16
- 17
- 18
- 19
- 20

01

02

03

04

05

06

07

08

09

10

11

12

13

14

15

16

17

18

19

20