



Drop-arm cassette awning

## **markilux 730 / 830**

The awning with arms that drop out and away from the building – an adornment for any window with value-added functionality.

**markilux by Aquarius Blinds**

[www.aqblinds.co.uk](http://www.aqblinds.co.uk) - 0800 953 0199

**markilux**  
safe timeless beautiful

01  
02  
03  
04  
05  
06  
07  
08  
09  
10  
11  
12  
13  
14  
15  
16  
17  
18  
19  
20

## Product characteristics

Wind resistance class 2

Beaufort 5 → 7.5–10.4 m/s → 28–37 km/h → 17–23 mph

markilux 730



markilux 830



face fixture



top fixture



face fixture



top fixture



aluminium wedge-in accro bars <sup>1)</sup>  
telescopic support post height 218–320 cm



retracted closing mechanism,  
view of markilux 830



reveal fixture of drop arms,  
stainless steel gas pistons



cover split for unit width > 400 cm



<sup>1)</sup> optional configuration

## Product characteristics

### Description

- the drop-arm cassette awning tensioned by gas piston technology – for widths up to 700 cm.

### Special features

- fully encompassing cassette that protects the cover perfectly
- compact cassette profile that lends an attractive appearance to the unit
- attractive front profile
- optimum cover tension provided by drop arms that use high-grade stainless steel gas pistons
- sturdy drop arms with unique mechanism that enables the front profile to close tightly against the underside of the cassette
- option of wedge-in accro bars making it possible to install the awning between floor and ceiling – ideal for balconies
- front profile optionally with valance

### Dimensions

- single unit: 74 cm – 700 cm in width.
- maximum drop arm lengths / cover drops: 80 / 160 cm, 100 / 200 cm, 120 / 250 cm, 150 / 250 cm
- intermediate sizes are available

### Roller tube and lateral bearings

- round roller tube Ø 63 mm with keyway, galvanised steel
- the roller tube bearing is made of stainless steel

### Awning profiles

- extruded aluminium, in façade quality, powder coated
- markilux 730: cassette profile in one piece, square, height × depth 95 mm × 95 mm
- markilux 830: cassette profile in two pieces, round tear-shaped, Ø 115 mm
- Front profile angular, height × depth 40 mm × 50 mm.

### Drop arms

- u-shaped profile, width × profile depth 25 mm × 32 mm, attractively rounded, extruded aluminium, powder coated
- maximum angle of drop 140°
- excellent tension provided by marine grade stainless steel gas pistons, pressure 580 N

### Side caps

#### markilux 730:

- the cassette end caps are made of high-quality plastic, powder coated
- the front profile end caps are made of high-quality plastic, powder coated

#### markilux 830:

- the cassette end caps are made of high-quality plastic, powder coated
- the front profile end caps are made of high-quality plastic, powder coated

### Fixture brackets

- extruded aluminium, powder coated
- cassette brackets: face fixture, top fixture, reveal fixture
- brackets for the drop arms: face fixture, reveal fixture
- other accessories are available

01 **Frame colours**

02 markilux frame colours without surcharge

03 traffic white RAL 9016

04 metallic aluminium RAL 9006

05 grey brown, similar to RAL 8019



09 off-white textured finish, 5233 <sup>1)</sup>

10 stone grey metallic, 5215 <sup>1)</sup>

11 anthracite metallic, 5204 <sup>1)</sup>



15 Havana brown textured finish, 5229 <sup>1)</sup>



17 **Non-standard powder-coated finish**

18 Bespoke frame colours at a surcharge – matt, metallic and pearl finishes as well as other colour ranges (DB, Tiger etc.) on request.  
19 All frame colours are available at a surcharge with enhanced corrosion protection.

20 <sup>1)</sup> textured finish

Colours may differ slightly from those depicted in both hue and finish.

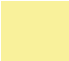


# Dimensions and configuration options

Single unit

01  
02  
03  
04  
05  
06  
07  
08  
09  
10  
11  
12  
13  
14  
15  
16  
17  
18  
19  
20

		Overall awning width												Minimum width		
		100	150	200	250	300	350	400	450	500	550	600	650	700	Hard-wired motor	Radio-controlled motor
Order dimensions		50	101	151	201	251	301	351	401	451	501	551	601	651	75	74
		100	150	200	250	300	350	400	450	500	550	600	650	700		
AL	80 <sup>1)</sup>															
	100 <sup>2)</sup>															
	120 <sup>3)</sup>															
	150 <sup>3)</sup>															

- 1) = cover length 160 cm
- 2) = cover length 200 cm
- 3) = cover length 250 cm
- AL = arm length

-  = 2 brackets, 2 drop arms
-  = 3 brackets, 2 drop arms
-  = 3 brackets, 3 drop arms, 1 nylon support bearing (split cover)

dimensions in cm

Operation	standard	optional
crank handle, on the outside	✓	—
crank handle, operation from the rear	—	✓ <sup>1)</sup>
crank handle, interior operation	—	✓ <sup>1)</sup>
hard-wired motor	—	✓
radio-controlled motor io, 868 MHz	—	✓
radio-controlled motor RTS, 433 MHz	—	✓

1) up to a maximum awning width of 400 cm

Coupled Awning
not available

Optional accessories
wedge-in accro bars
valance
automatic controls (light, wind, rain)

**N.B!** Important background information can be found in the chapter "Optional Accessories".

Awning cover	fabric range no.	standard	optional
sunvas	301.. / 309..-315..	✓	—
perla	370 ..	—	—
sunsilk	324.. / 325.. / 328.. / 369..	✓	—
perla FR	374.. / 375..	—	—
perfortex	331.. / 332..	✓	—
transolair	338..	—	✓
transolair (120 cm)	339..	—	✓
vuscreen Alu	317..	—	✓
Soltis Perform 92	92-20..	—	✓
glass fibre screen	272..	—	—
valance, height 20 cm		—	✓

- N = seamless
- LN = vertical seam(s), panel width usually 120 cm
- QN = horizontal seam(s)

01

# Window coverage

On the basis of the standard arm lengths

02

Arm length: 80 cm

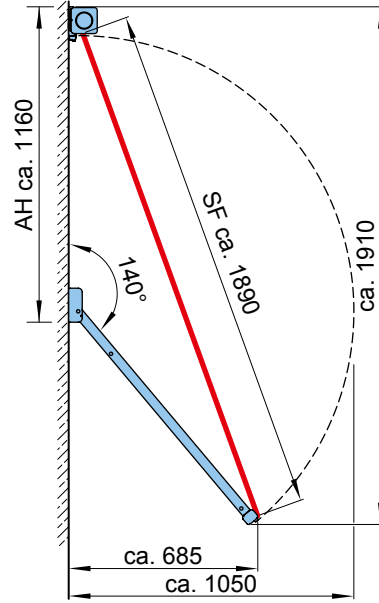
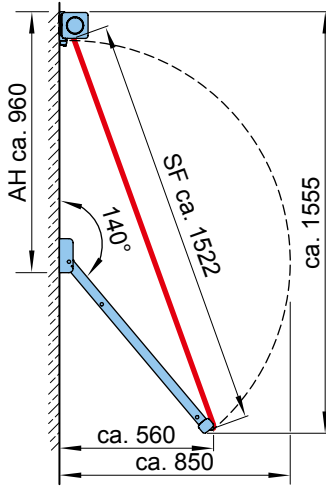
Arm length: 100 cm

03

Cover length: 160 cm

Cover length: 200 cm

04



11

12

13

14

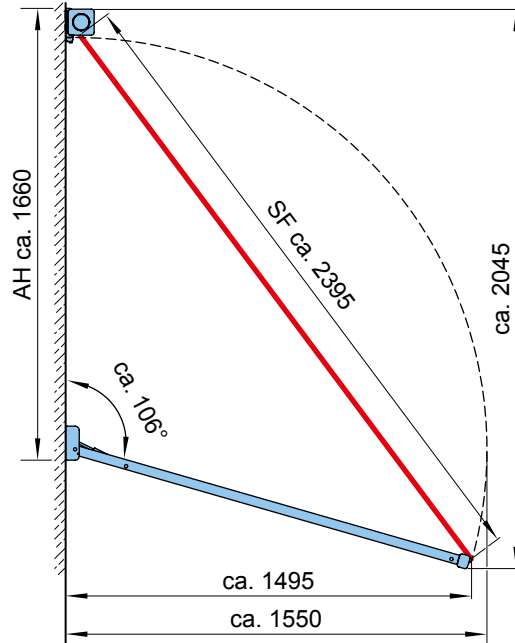
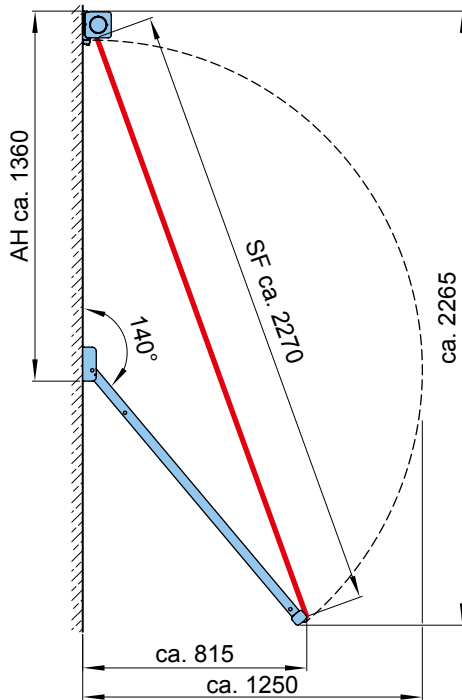
Arm length: 120 cm

Arm length: 150 cm

Cover length: 250 cm

Cover length: 250 cm

15



16

17

18

19

20

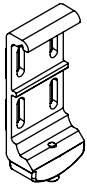
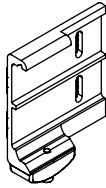
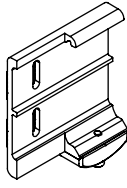
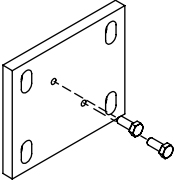
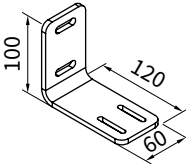
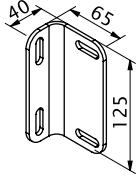
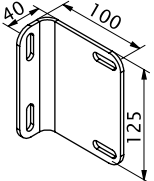


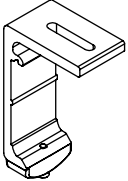
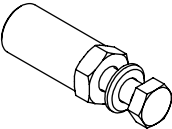
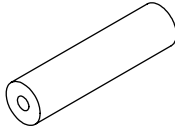
AH = unit height

SF = visible cover area

dimensions in mm

# markilux 730

## Fixtures, fittings and accessories

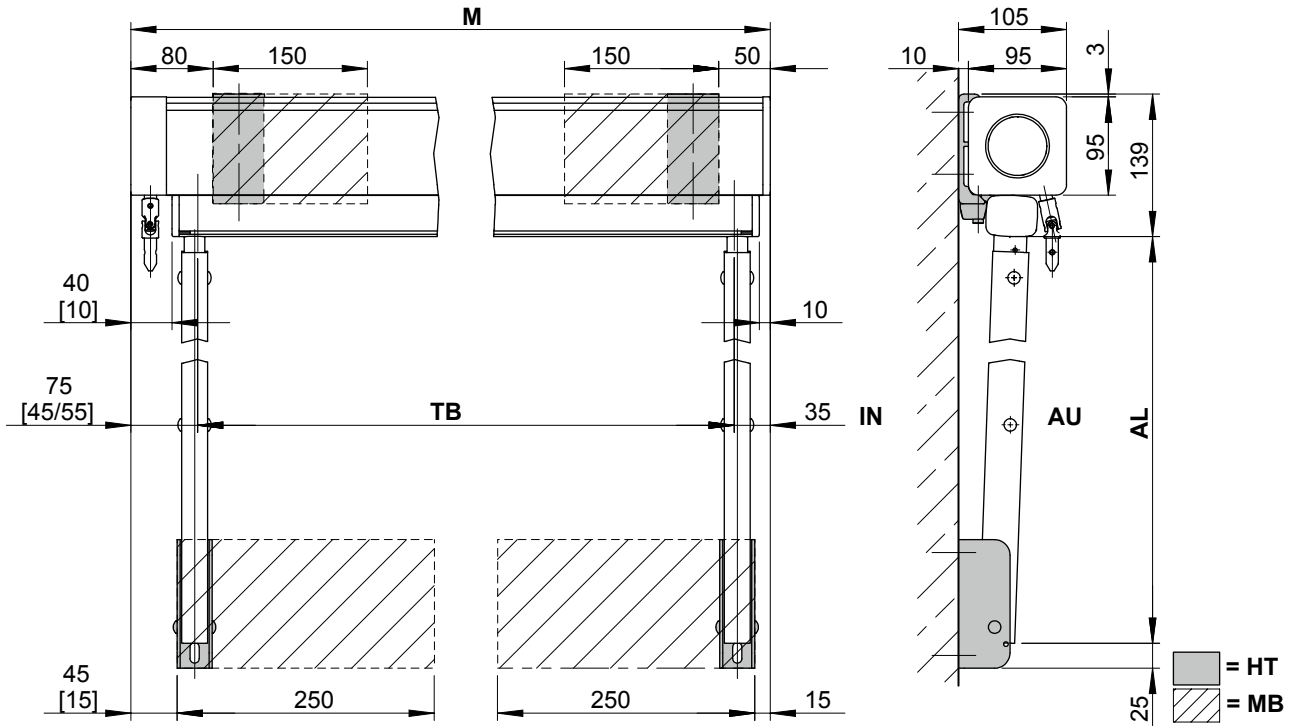
 <p>face fixture bracket 50 mm</p> <p><b>78797.</b></p>	 <p>face fixture bracket with fishplate for extended fixture, right</p> <p><b>N.B!</b> not for the operation side: • interior operation • operation from the rear</p> <p><b>78920.</b></p>	 <p>face fixture bracket with fishplate for extended fixture, left</p> <p><b>N.B!</b> not for the operation side: • interior operation • operation from the rear</p> <p><b>78921.</b></p>
 <p>spreader plate for face fixture / universal bracket</p> <p>120 × 100 × 10 mm</p> <p><b>78982.</b></p>	 <p>additional angled bracket for reveal fixture</p> <p>120 × 100 × 60 mm</p> <p>please order additional accessories 792931!</p> <p><b>77220.</b></p>	 <p>additional angled bracket for lateral arm fixture reveal fixture</p> <p>65 × 40 × 125 mm bearing / motor side</p> <p>please order additional accessories 793151!</p> <p><b>78912.</b></p>
 <p>additional angled bracket for lateral arm fixture reveal fixture</p> <p>100 × 40 × 125 mm gearbox side</p> <p>please order additional accessories 793151!</p> <p><b>78913.</b></p>	 <p>accessories for two angled brackets 77220.</p> <p><b>792931</b></p>	 <p>accessories for two angled brackets 78912. or 78913.</p> <p><b>793151</b></p>
 <p>top fixture bracket</p> <p>50 mm</p> <p><b>78859.</b></p>	 <p>bolt reduction assembly M 10 → M 6 / SW 13</p> <p>pack 10 pcs</p> <p><b>753211</b></p>	 <p>stand-off fixing tube</p> <p>30 × 10 × 1000 mm</p> <p><b>N.B!</b> max. stand-off distance 120 mm</p> <p><b>701668</b></p>

01  
02  
03  
04  
05  
06  
07  
08  
09  
10  
**11**  
12  
13  
14  
15  
16  
17  
18  
19  
20

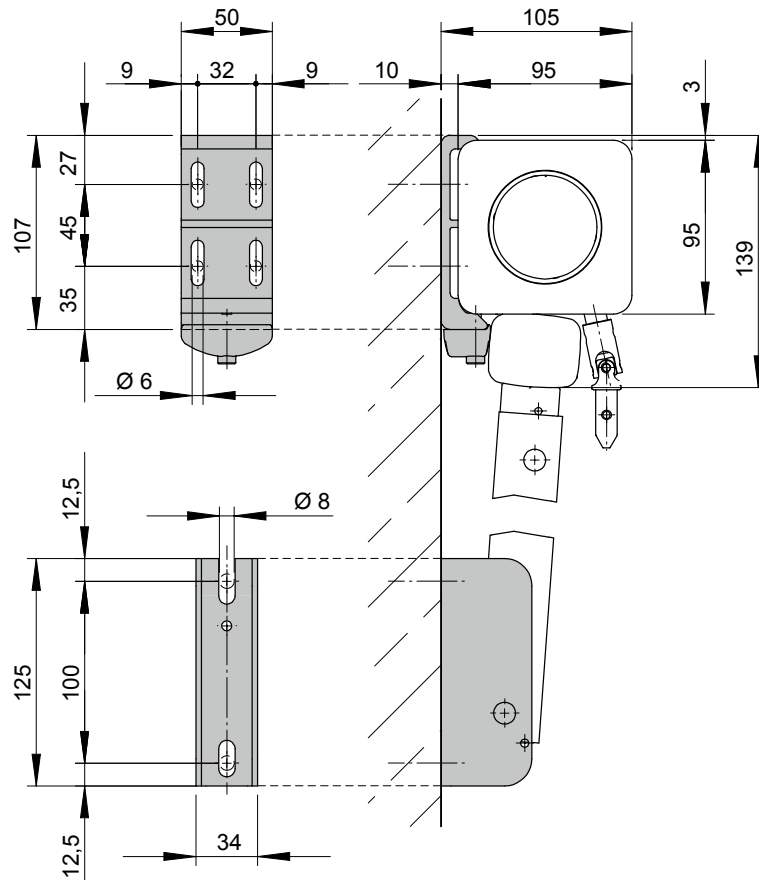
01  
02  
03  
04  
05  
06  
07  
08  
09  
10  
11  
12  
13  
14  
15  
16  
17  
18  
19  
20

# markilux 730

## Dimension overview



## Face fixture



[...] = dimensions in the case of motor / interior operation (MO)

AL = *order dimension* = arm length

AU = exterior

HT = bracket

IN = interior

M = *order dimension* = awning width

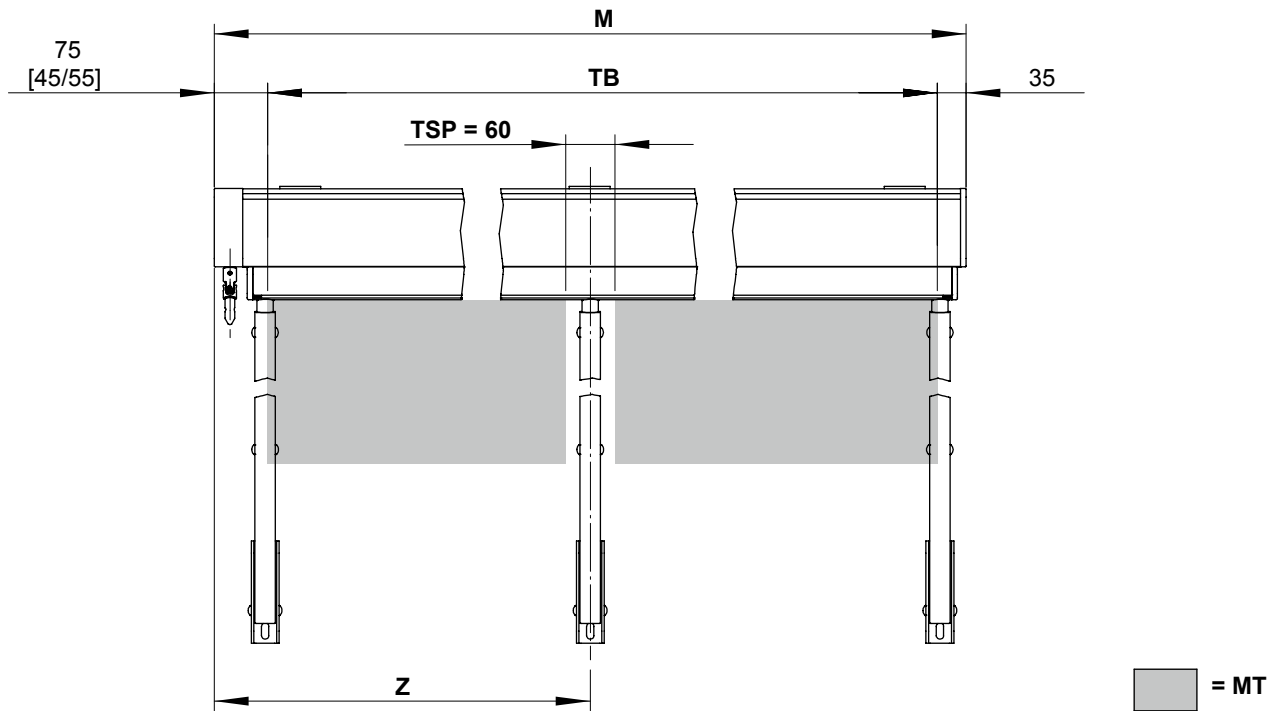
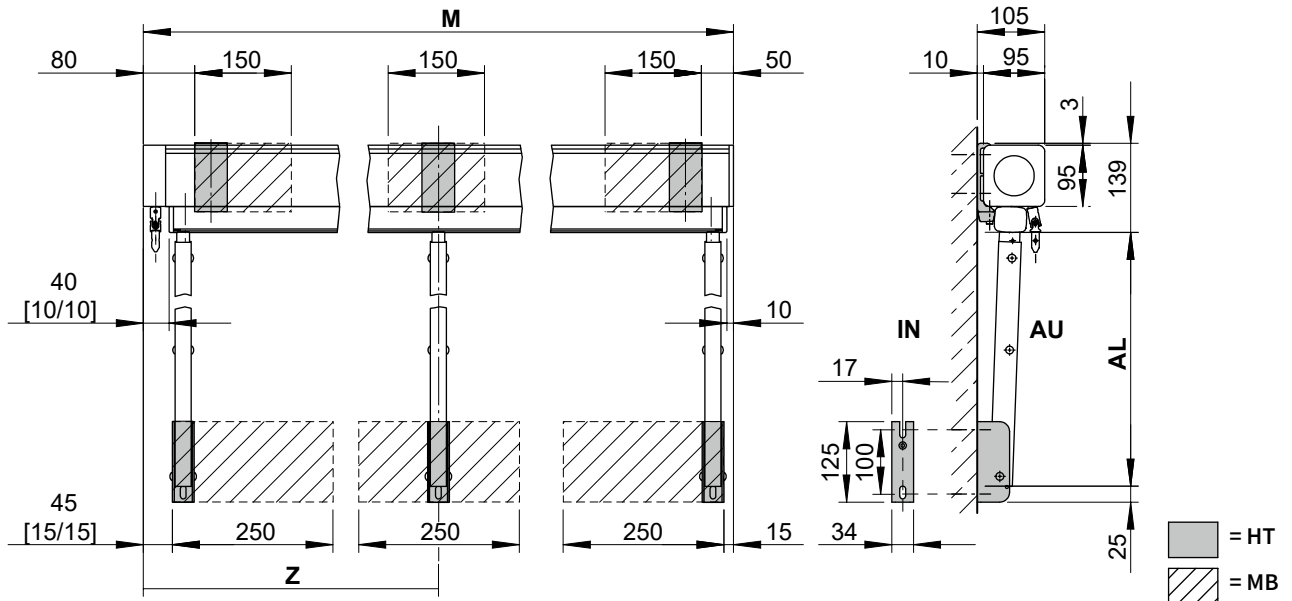
MB = bracket fixture range

TB = cover width

dimensions in mm



# markilux 730



[...] = dimensions in the case of motor / interior operation (MO)

**AL** = *order dimension* = arm length

**AU** = exterior

**HT** = bracket

**IN** = interior

**M** = *order dimension* = awning width

**MB** = bracket fixture range

**MT** = awning cover

**TB** = cover width

**TSP** = cover gap

**Z** = please note where the split in the cover should be when ordering (measured from the left)

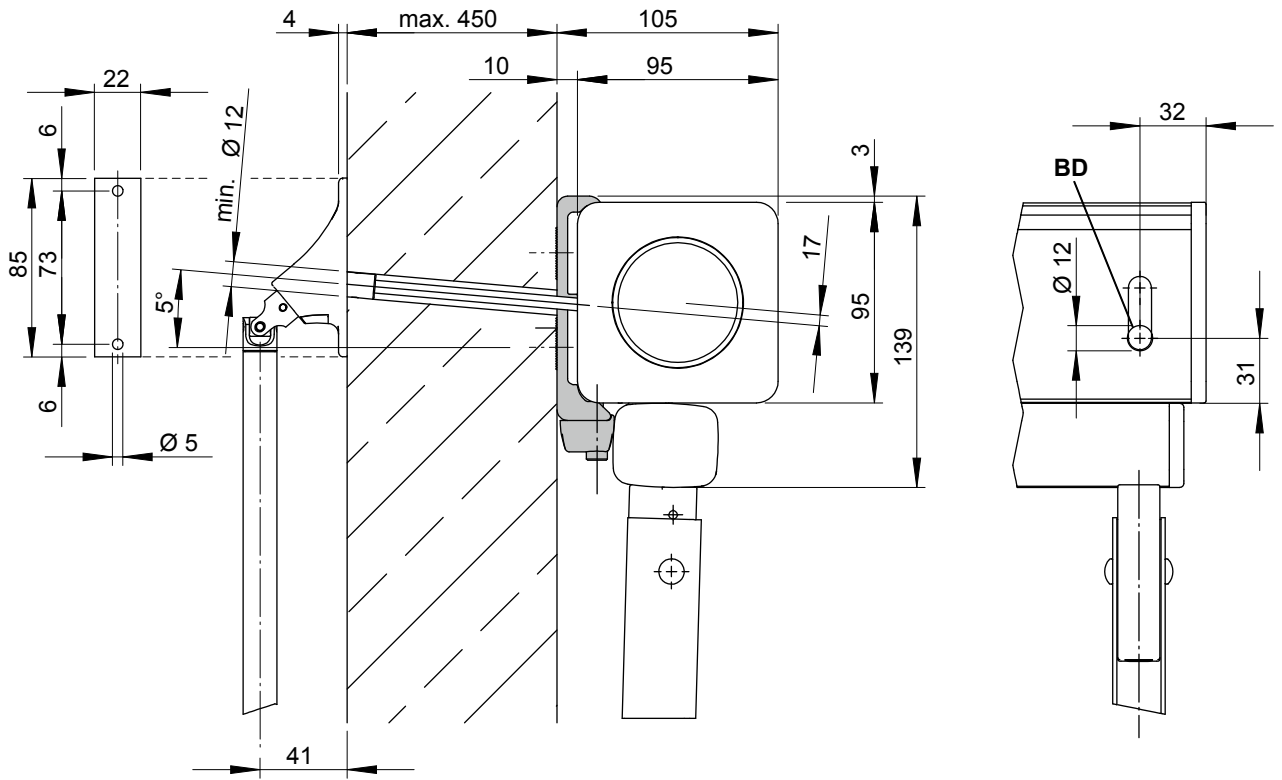
dimensions in mm

01  
02  
03  
04  
05  
06  
07  
08  
09  
10  
11  
12  
13  
14  
15  
16  
17  
18  
19  
20

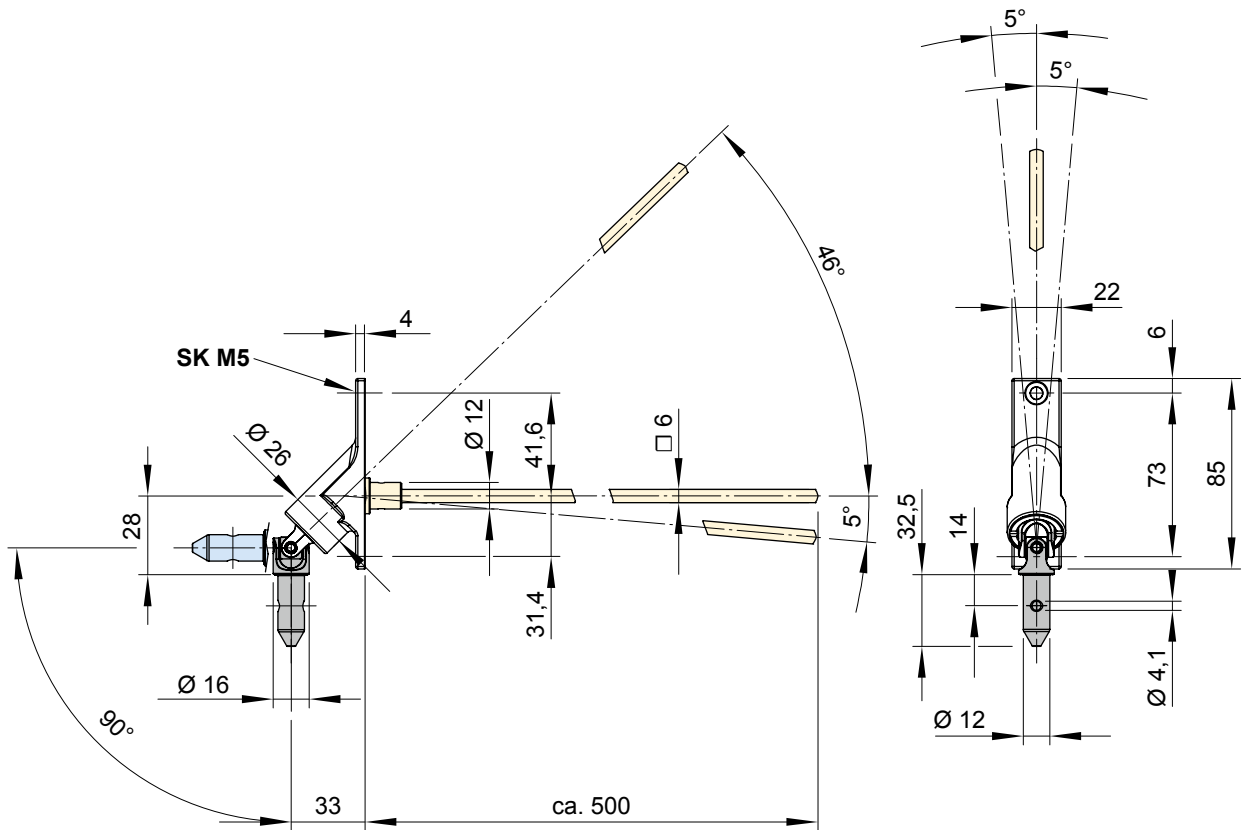


# markilux 730

Face fixture, interior operation



Handle for interior operation



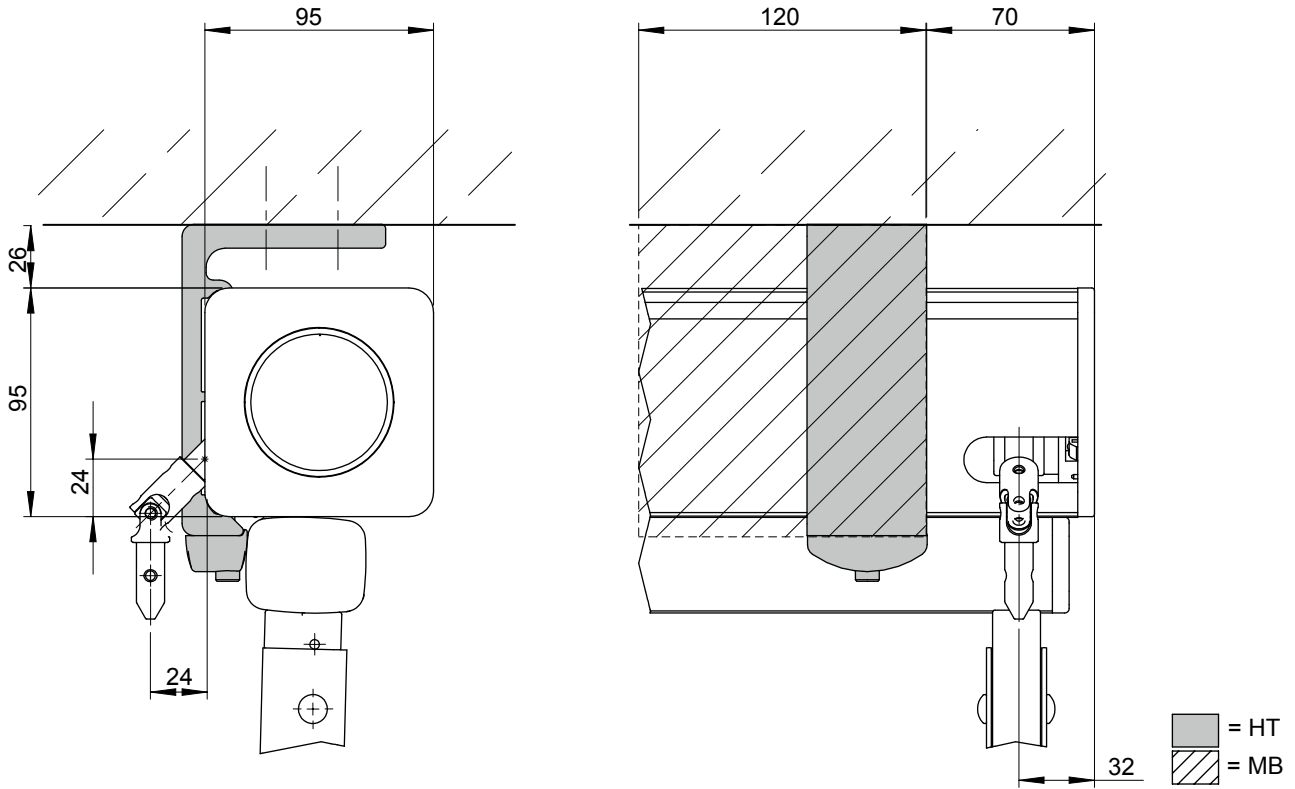
BD = horizontal drill hole  
SK = countersunk screw hole M5

dimensions in mm

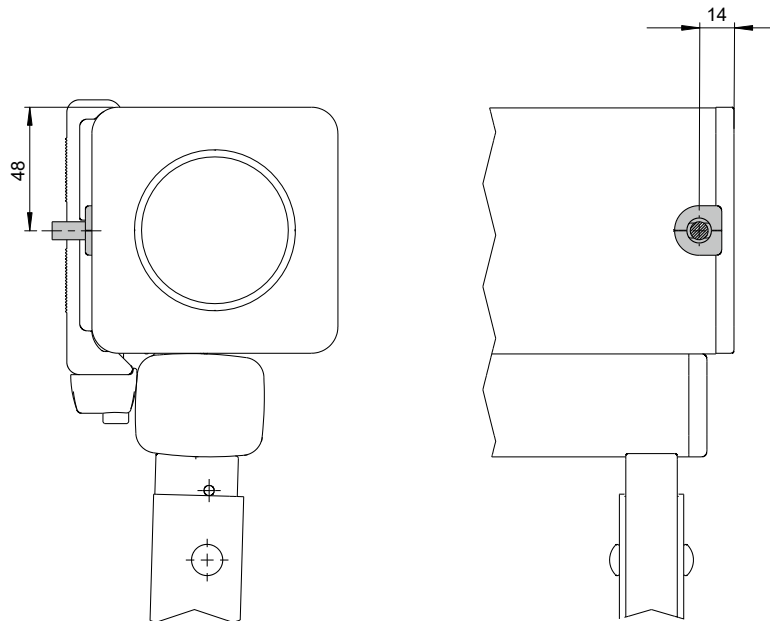
01  
02  
03  
04  
05  
06  
07  
08  
09  
10  
11  
12  
13  
14  
15  
16  
17  
18  
19  
20

# markilux 730

Manual operation from the rear



Motor cable exit point

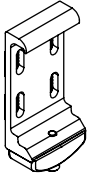


HT = bracket  
MB = bracket fixture range

dimensions in mm

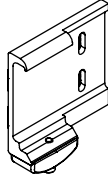
# markilux 830

## Fixtures, fittings and accessories



face fixture bracket  
50 mm

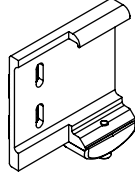
**78726.**



face fixture bracket  
with fishplate for  
extended fixture, right

**N.B!**  
not for the operation side:  
• interior operation  
• operation from the rear

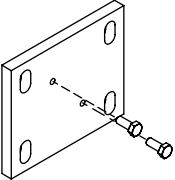
**78748.**



face fixture bracket  
with fishplate for  
extended fixture, left

**N.B!**  
not for the operation side:  
• interior operation  
• operation from the rear

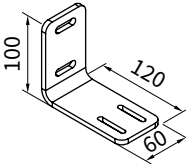
**78749.**



spreader plate  
for face fixture /  
universal bracket

120 × 100 × 10 mm

**78982.**

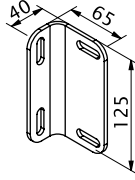


additional angled bracket  
for reveal fixture

120 × 100 × 60 mm

please order additional  
accessories 792931!

**77220.**

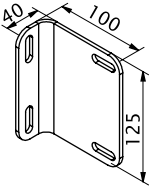


additional angled bracket  
for lateral arm fixture  
reveal fixture

65 × 40 × 125 mm  
bearing / motor side

please order additional  
accessories 793151!

**78912.**



additional angled bracket  
for lateral arm fixture  
reveal fixture

100 × 40 × 125 mm  
gearbox side

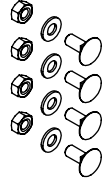
please order additional  
accessories 793151!

**78913.**



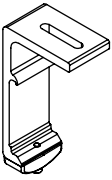
accessories  
for two angled brackets  
77220.

**792931**



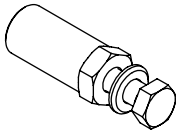
accessories for two  
angled brackets 78912.  
or 78913.

**793151**



top fixture bracket  
50 mm

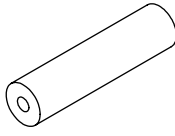
**78727.**



bolt reduction assembly  
M 10 → M 6 / SW 13

pack 10 pcs

**753211**



stand-off fixing tube  
30 × 10 × 1000 mm

**N.B!**  
max. stand-off distance  
120 mm

**701668**

01  
02  
03  
04  
05  
06  
07  
08  
09  
10  
**11**  
12  
13  
14  
15  
16  
17  
18  
19  
20

01

# markilux 830

## Dimension overview

02

03

04

05

06

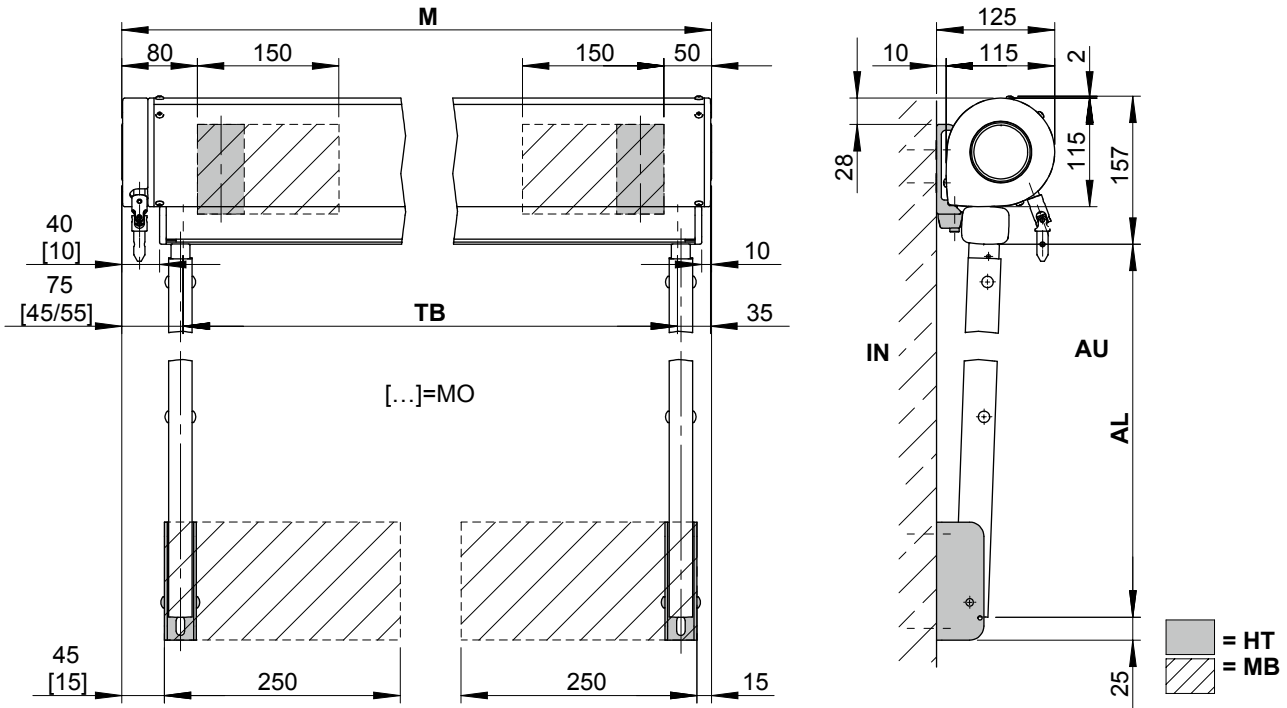
07

08

09

10

11



12

## Face fixture

13

14

15

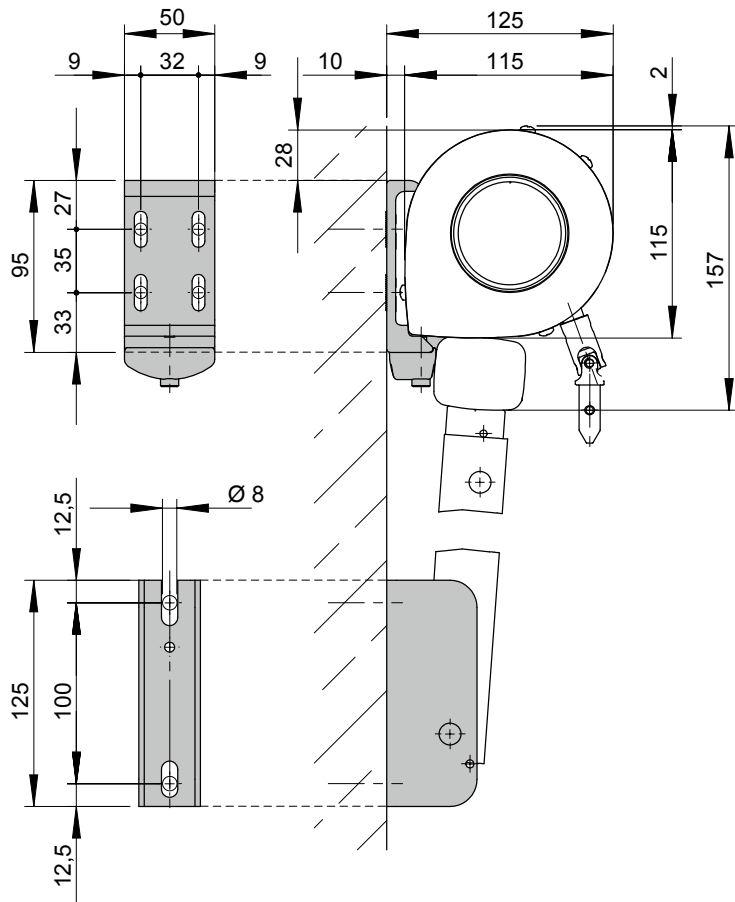
16

17

18

19

20



[...] = dimensions in the case of motor / interior operation (MO)

AL = order dimension = arm length

AU = exterior

HT = bracket

IN = interior

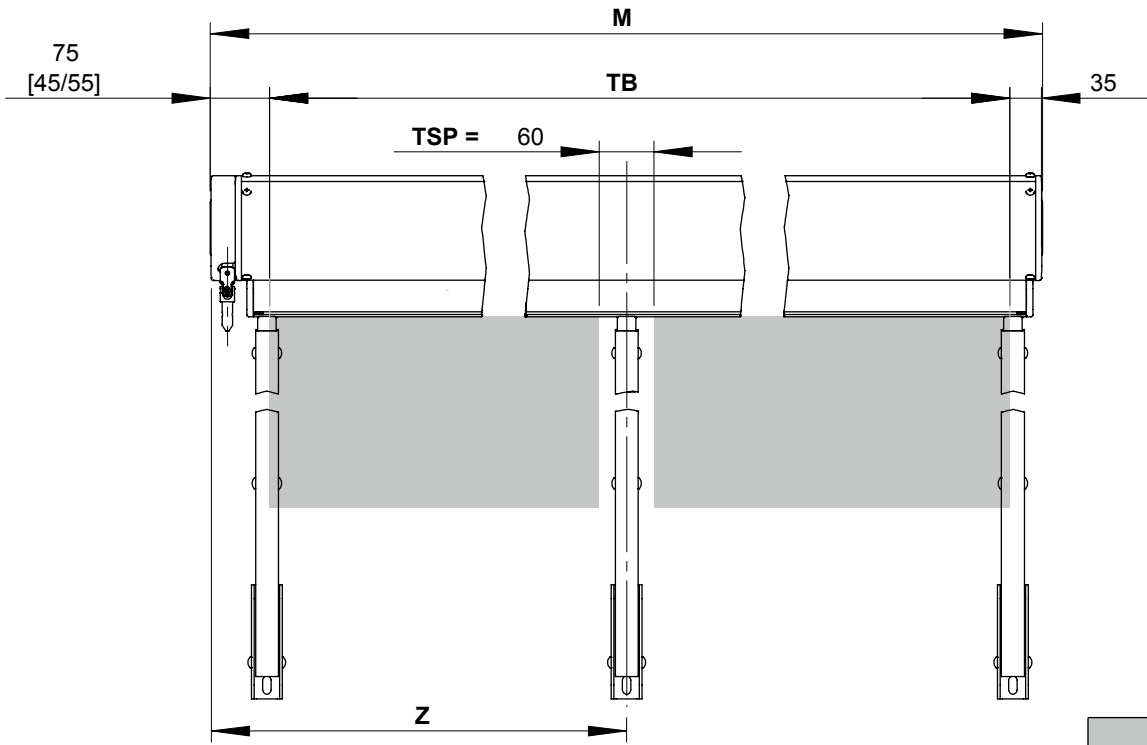
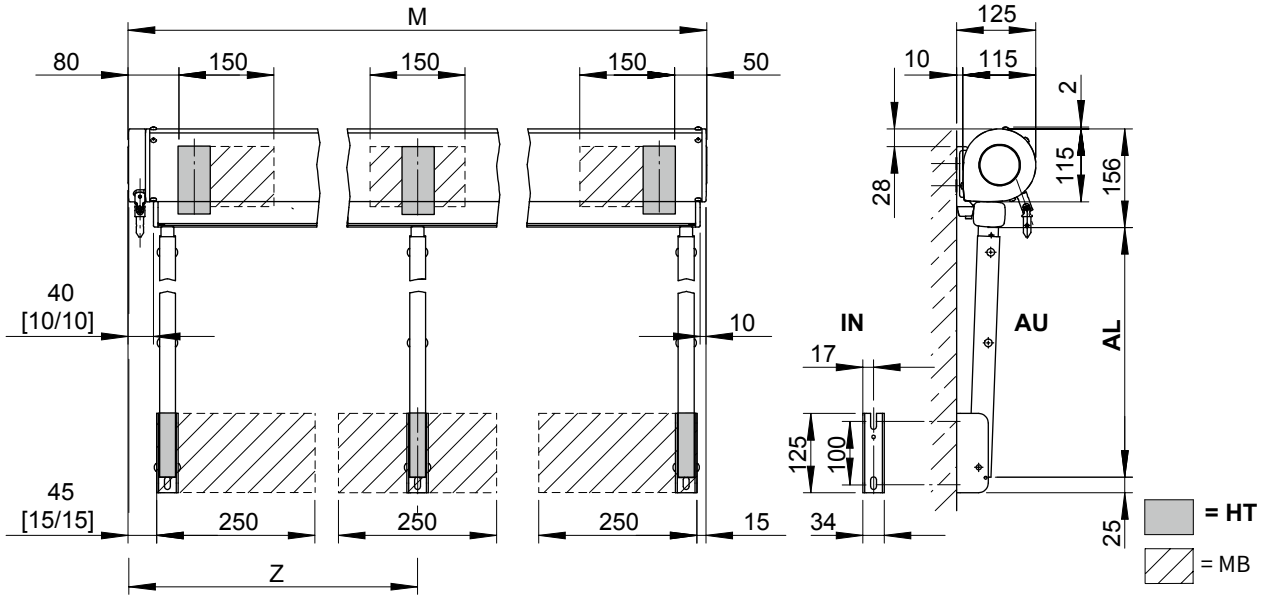
M = order dimension = awning width

MB = bracket fixture range

TB = cover width

dimensions in mm

# markilux 830



[...] = dimensions in the case of motor / interior operation (MO)

AL = order dimension = arm length

AU = exterior

HT = bracket

IN = interior

M = order dimension = awning width

MB = bracket fixture range

MT = awning cover

TB = cover width

TSP = cover gap

Z = please note where the split in the cover should be when ordering (measured from the left)

■ = MT

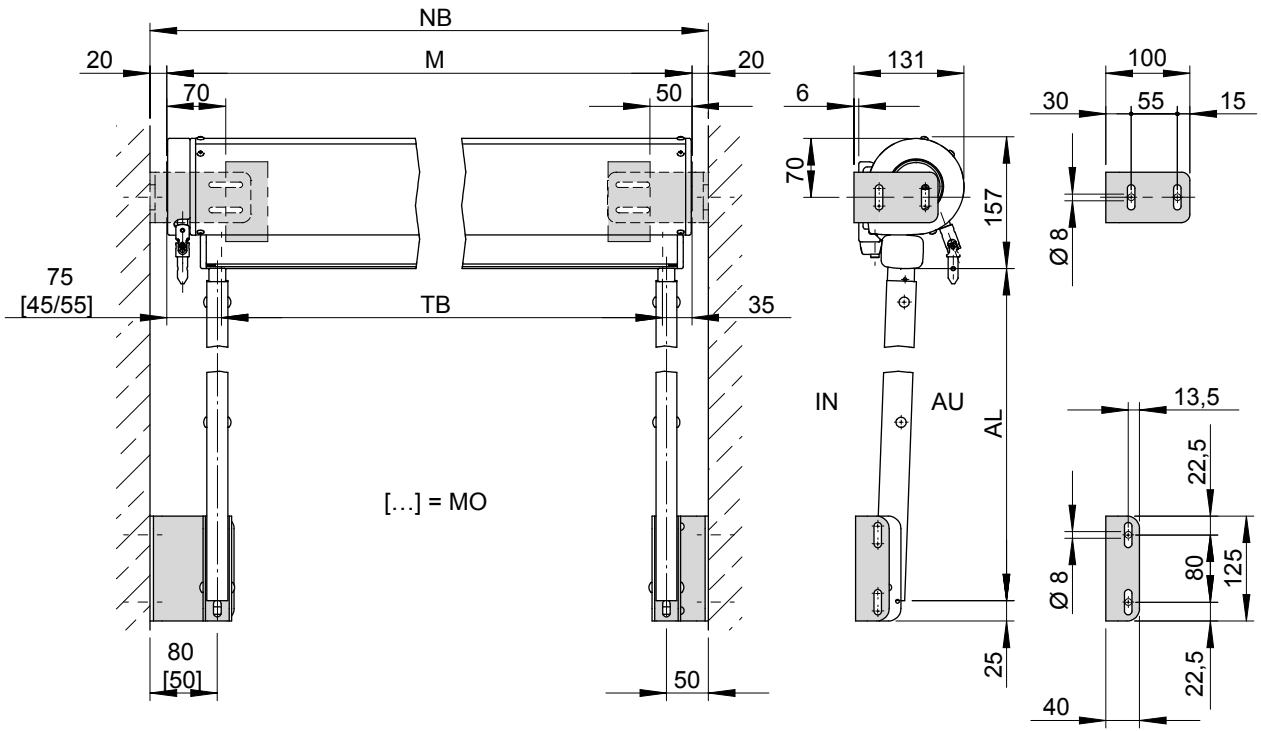
dimensions in mm

01  
02  
03  
04  
05  
06  
07  
08  
09  
10  
11  
12  
13  
14  
15  
16  
17  
18  
19  
20

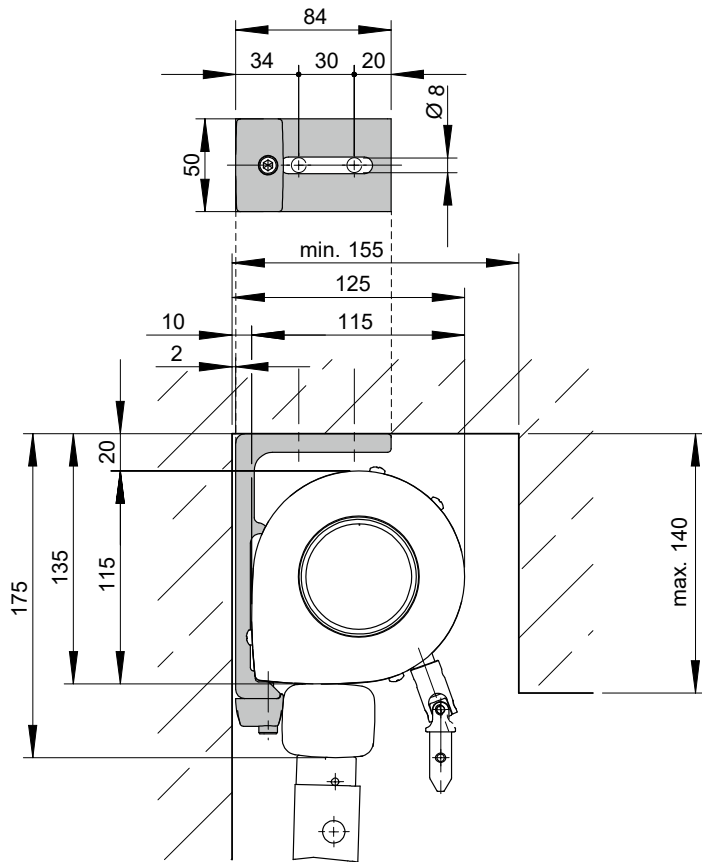
01  
02  
03  
04  
05  
06  
07  
08  
09  
10  
11  
12  
13  
14  
15  
16  
17  
18  
19  
20

# markilux 830

Reveal fixture, gearbox / motor operation



Reveal fixture in a window well, gearbox operation



[...] = dimensions in the case of motor / interior operation (MO)

AL = *order dimension* = unit height

AU = exterior

HT = bracket

IN = interior

M = *order dimension* = awning width

NB = reveal width

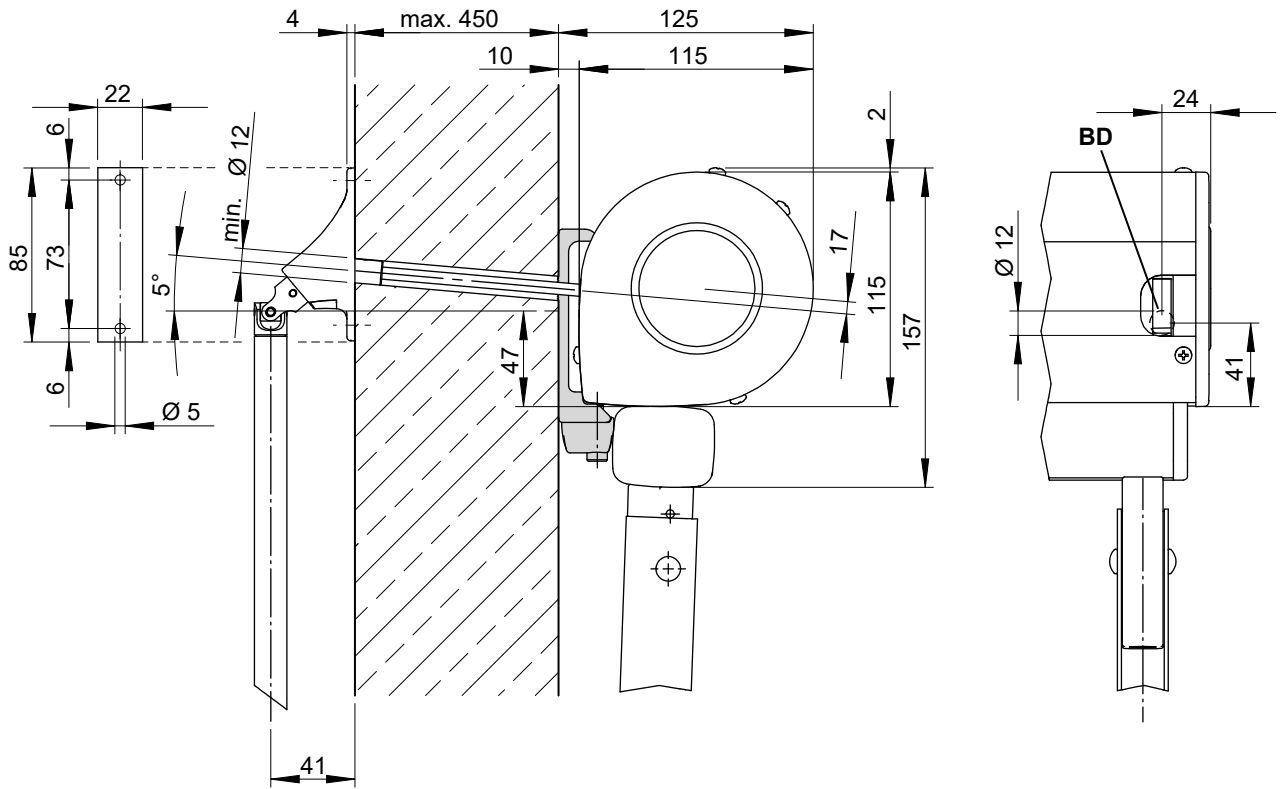
TB = cover width

dimensions in mm

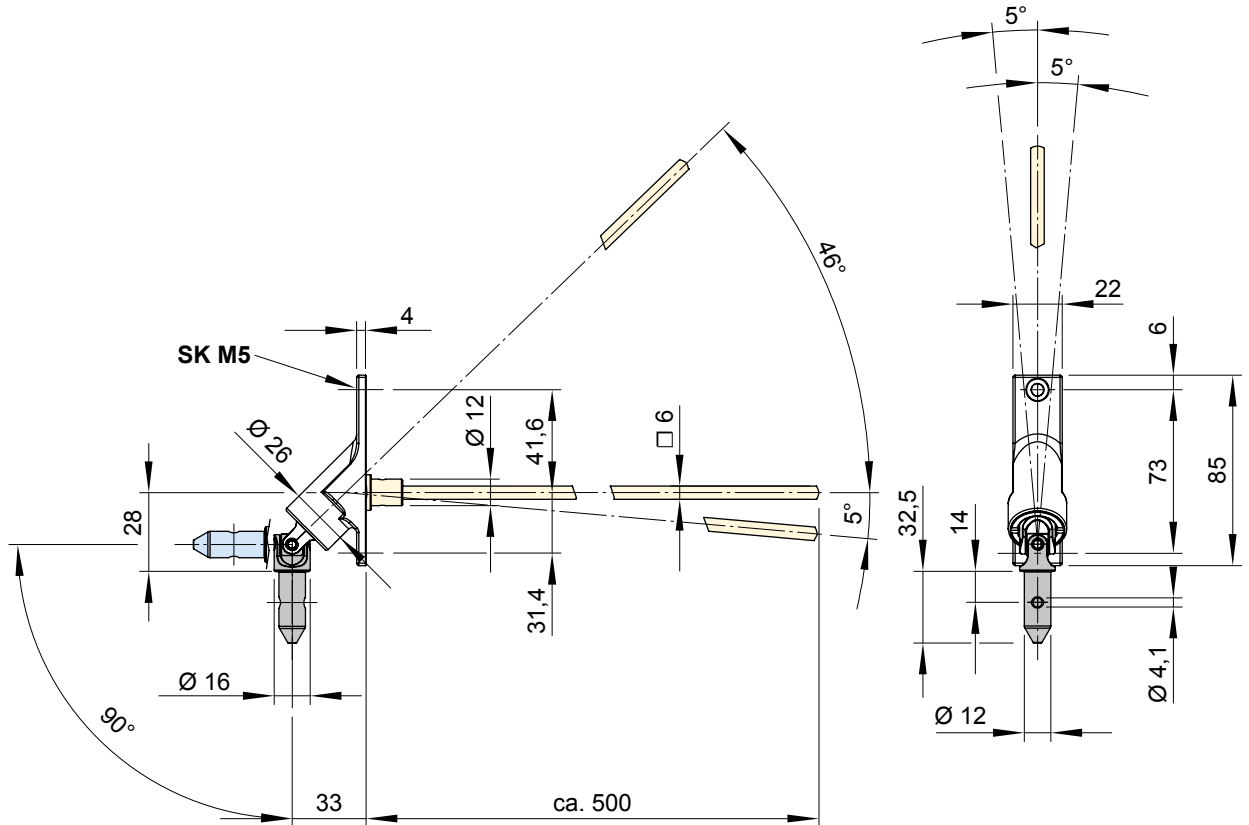


# markilux 830

Face fixture, interior operation



Handle for interior operation



BD = horizontal drill hole

SK = countersunk screw hole M5

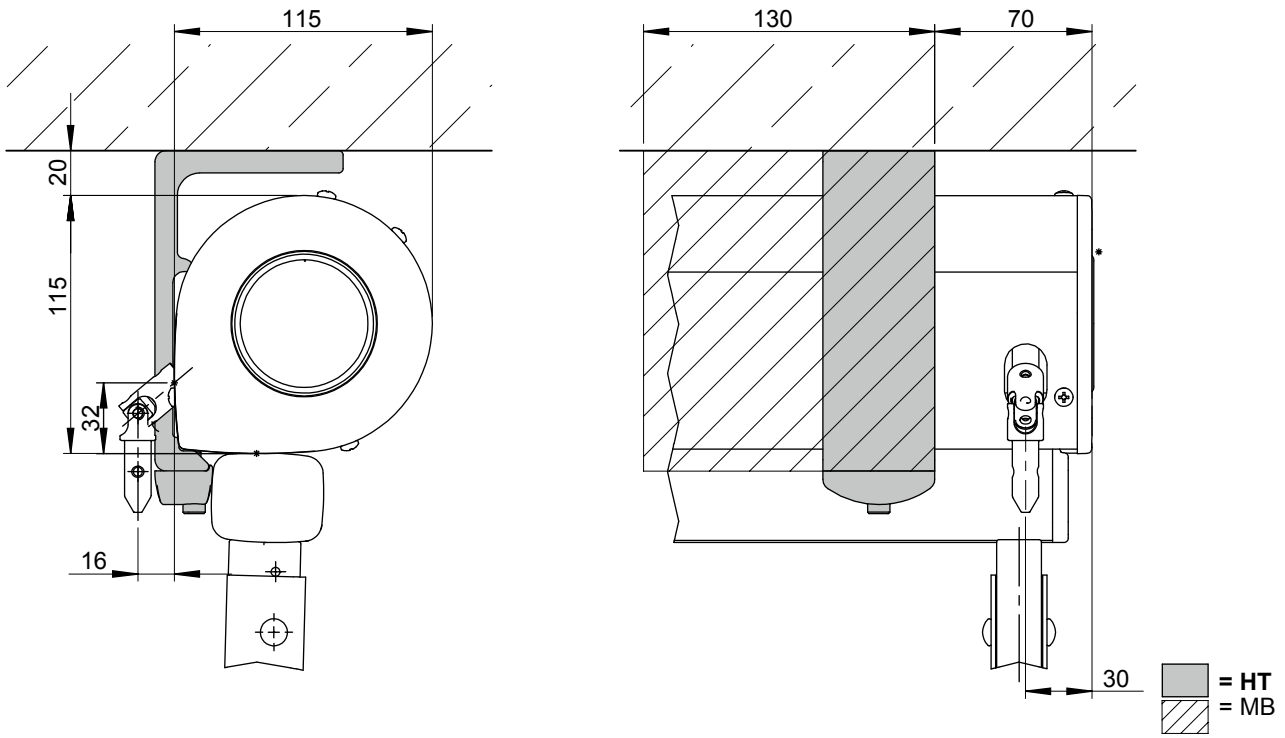
dimensions in mm

01  
02  
03  
04  
05  
06  
07  
08  
09  
10  
**11**  
12  
13  
14  
15  
16  
17  
18  
19  
20

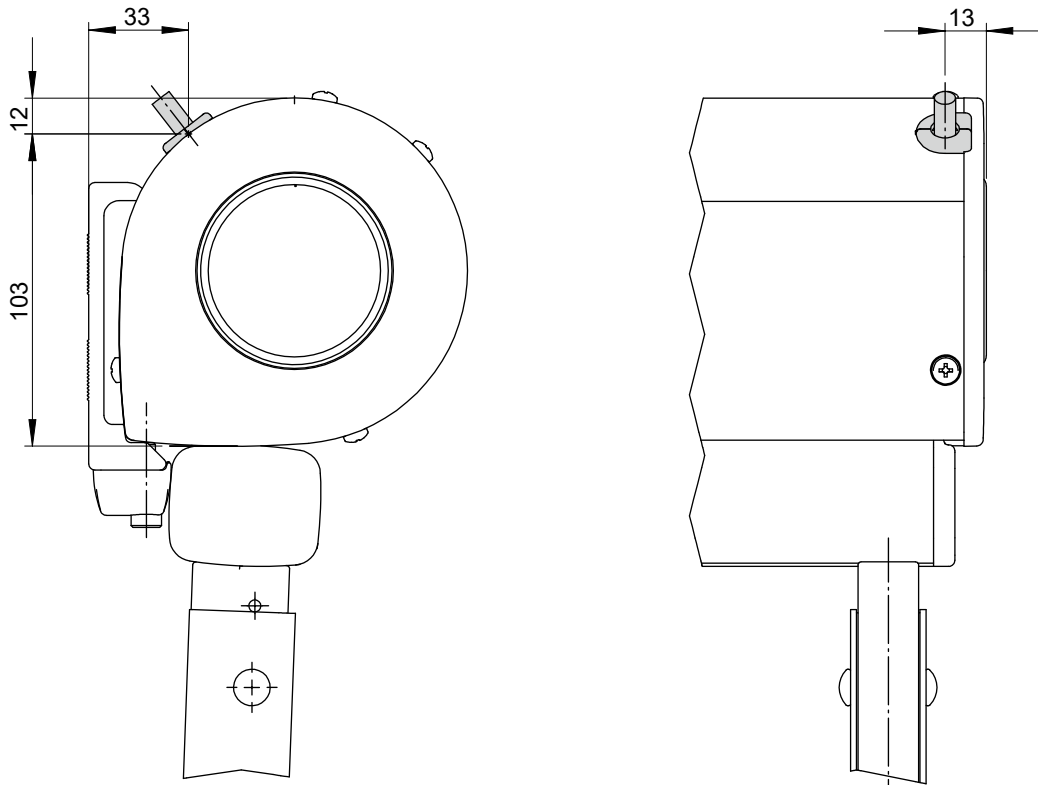
01  
02  
03  
04  
05  
06  
07  
08  
09  
10  
11  
12  
13  
14  
15  
16  
17  
18  
19  
20

# markilux 830

Manual operation from the rear



Motor cable exit point

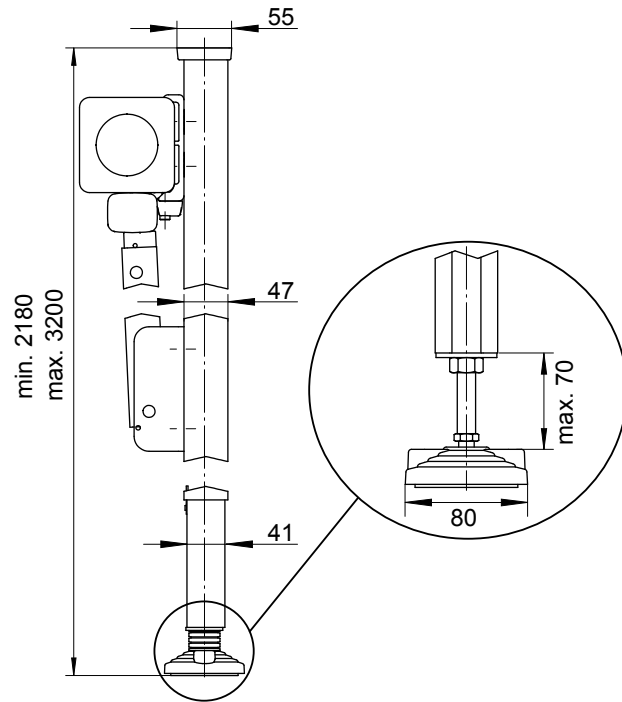


HT = bracket  
MB = bracket fixture range

dimensions in mm

# wedge-in accro bars

Illustrated by way of the markilux 730



**N.B!** Telescopic range 218–320 cm.

Maximum awning width 400 cm, up to two drop arms.

- 01
- 02
- 03
- 04
- 05
- 06
- 07
- 08
- 09
- 11**
- 12
- 13
- 14
- 15
- 16
- 17
- 18
- 19
- 20

---

01

02

03

04

05

06

07

08

09

10

**11**

12

13

14

15

16

17

18

19

20